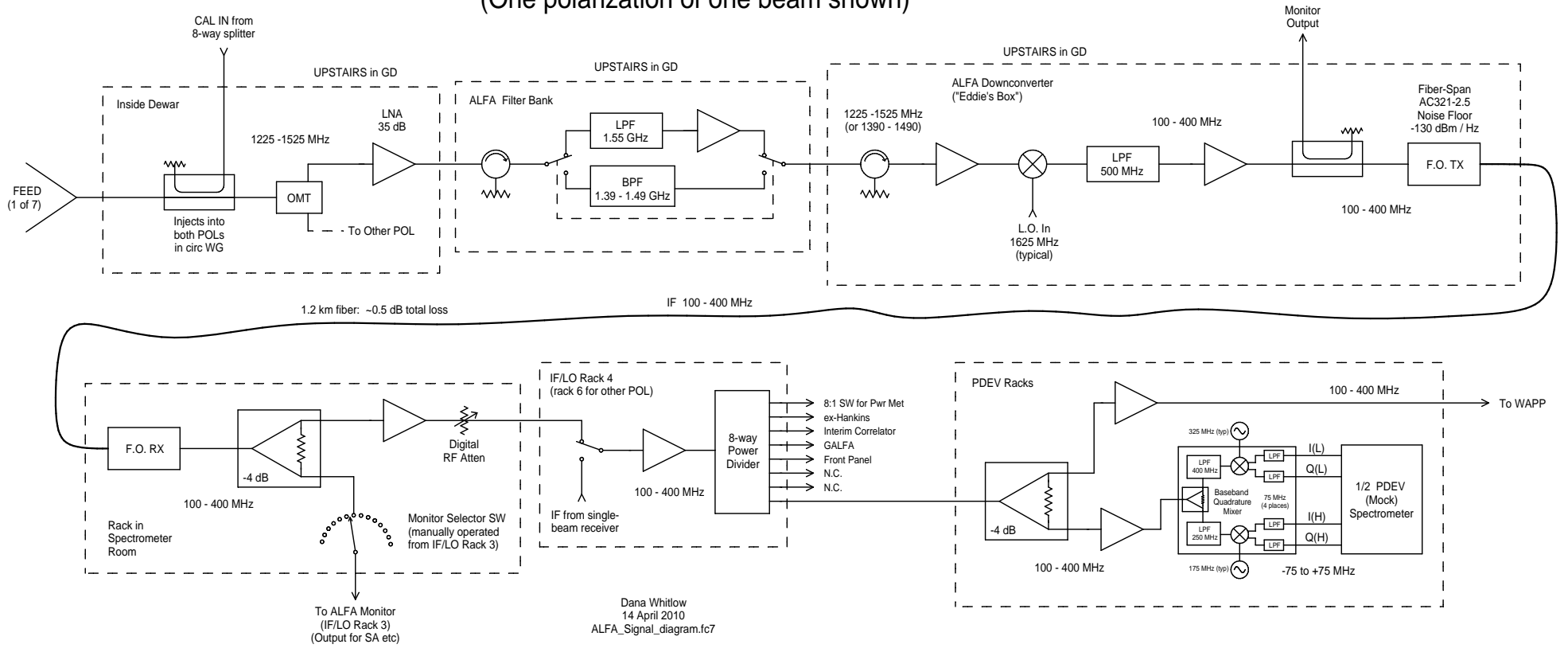


ALFA SIGNAL FLOW DIAGRAM (One polarization of one beam shown)



Dana Whitlow
14 April 2010
ALFA_Signal_diagram.fc7