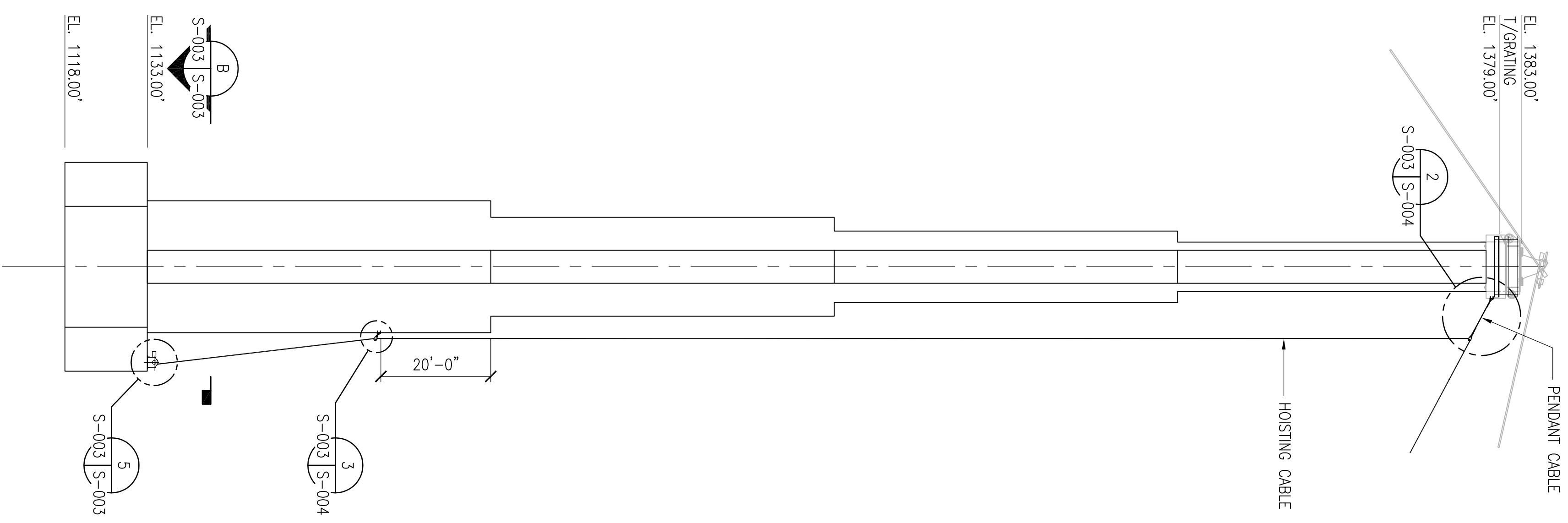
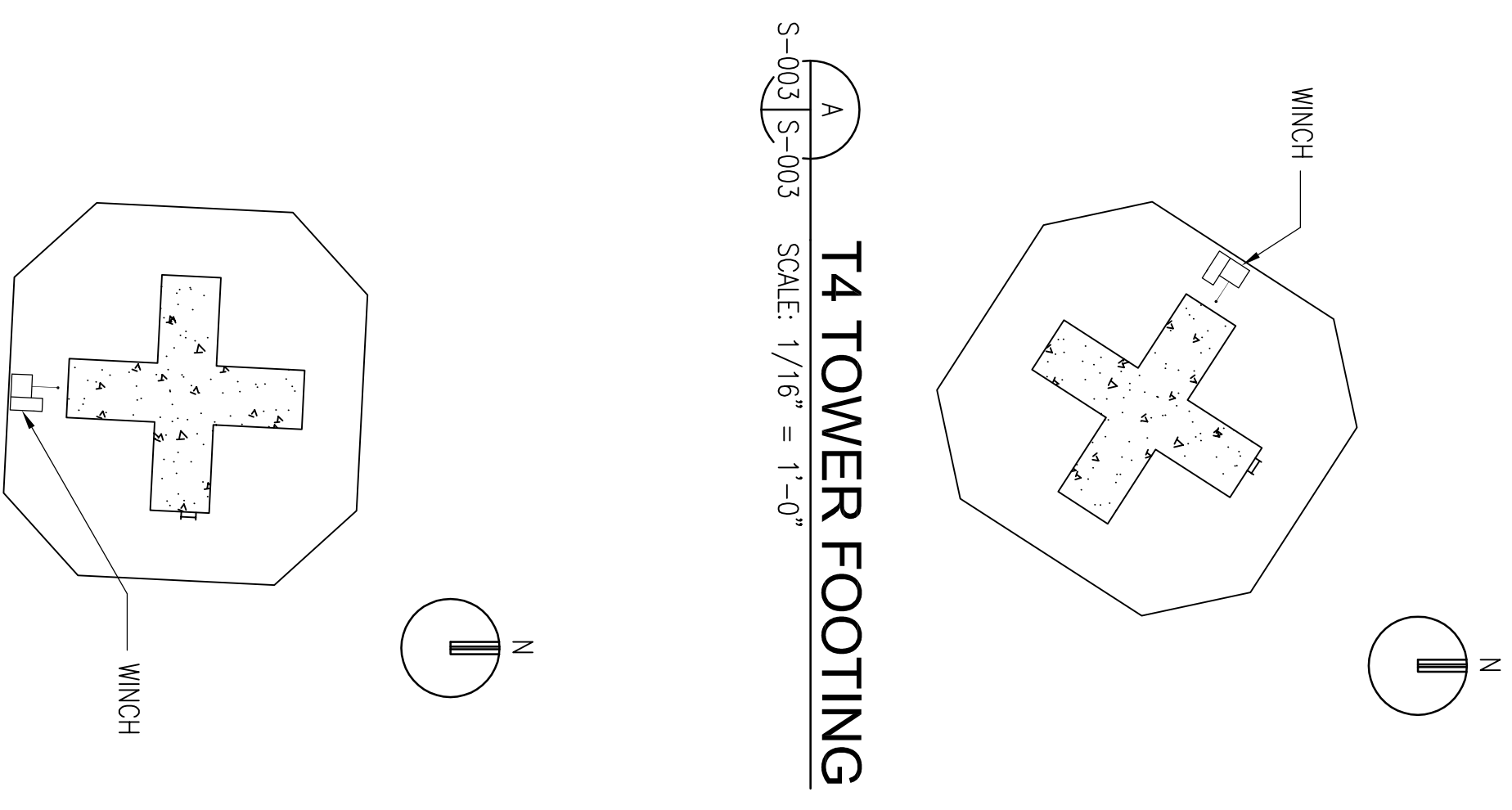


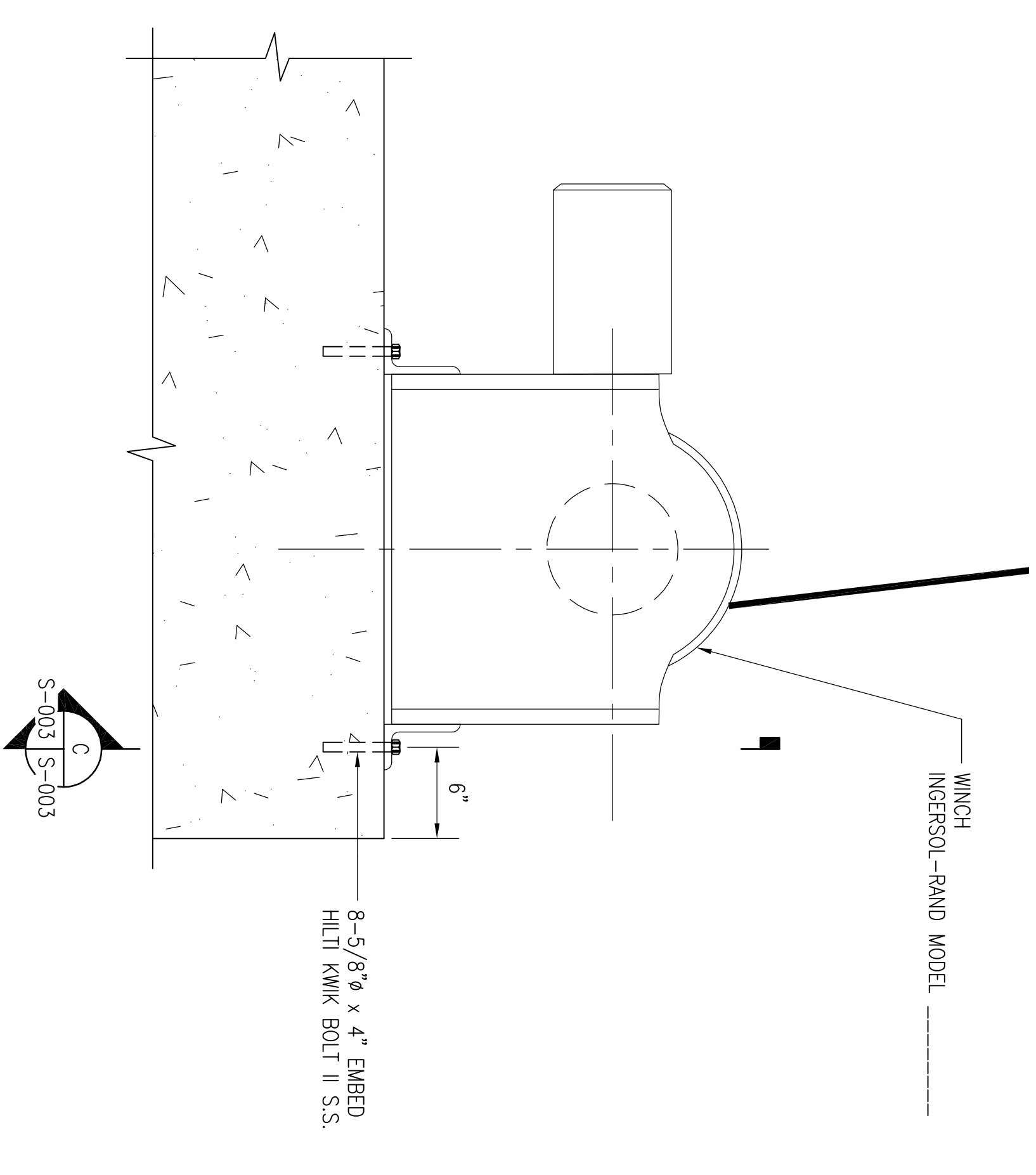
1  
T4 TOWER ELEVATION  
SCALE: 1/16" = 1'-0"



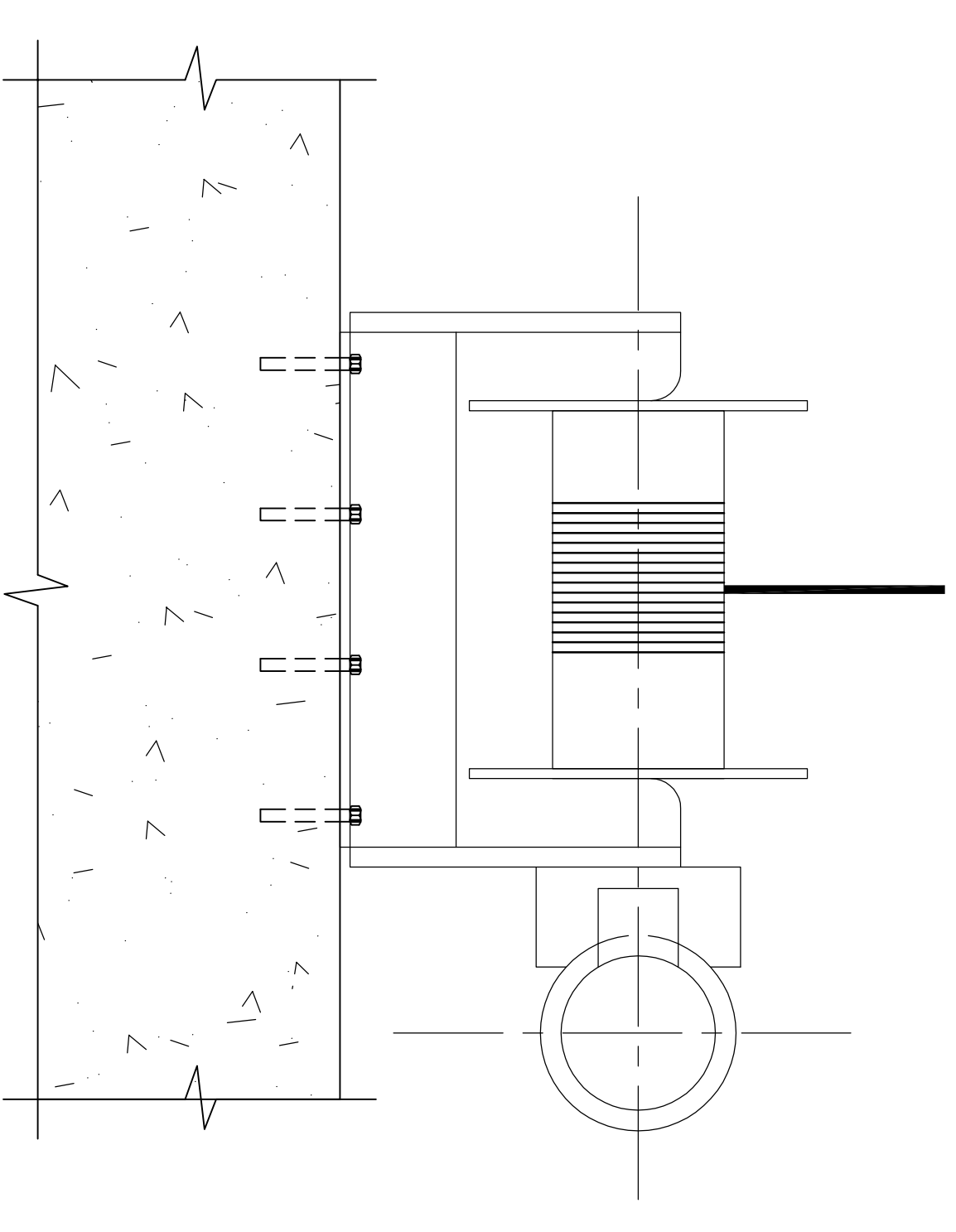
2  
T12 TOWER ELEVATION  
SCALE: 1/16" = 1'-0"



B  
T12 TOWER FOOTING  
SCALE: 1/16" = 1'-0"



3  
WINCH ANCHORAGE  
SCALE: 1 1/2" = 1'-0"



C  
WINCH ANCHORAGE  
SCALE: 1 1/2" = 1'-0"

FOR COORDINATION PURPOSES ONLY

T4/T12 TOWERS & WINCH DETAILS

NATIONAL ASTRONOMY AND IONOSPHERE CENTER  
CORNELL UNIVERSITY  
ARICIOBO RADIO OBSERVATORY

<p><b>A M M A N N V H I T N E Y</b> CONSULTING ENGINEERS, NEW YORK, NY</p>		<p>DATE: xxxxxxxx SCALE: AS NOTED</p>	
<p>DRAWN BY: VMA DESIGNED BY: JPC CHECKED BY: JLS</p>	<p>APPROVED</p>	<p>DWG. NO. S-003</p>	