

86-0426

TECHNICAL ORDER VERIFICATION COMPLETION/AcCEPTANCE CERTIFICATE

1. TECHNICAL ORDER NUMBER TO 31P6-3FPS118-83	2. PUBLICATION DATA 15 Feb 89	DATE 7/MAY 90
3. SOLUTIONS CONTROL NUMBER 28		
4. CONTRACTOR AND CONTRACT NUMBER GENERAL ELECTRIC CO GESP SYRACUSE N.Y. F19628-82-C-0114		
5. VERIFICATION TEST LOCATION ECAS/WCAS Radar sites		
6. VERIFICATION START DATE 13 Feb 90		
7. VERIFICATION COMPLETION DATE 8 MAY 90		
8. COMMENTS		

This Preliminary Technical Order has been verified by the Technical Order Review Board. Findings of the Board are:

- (1) The "Golden Copy" has been Red-Lined to reflect all procedural changes for verified procedures.
- (2) All Desk-Top and Red-lined comments have been documented on AFTO Form 158.
- (3) Except for any procedures listed on a Verification Status Page (if required), all procedures have been verified and accepted.
- (4) The un-verified procedures will be verified at the earliest opportunity.

TECHNICAL ORDER VERIFICATION TEST TEAM CERTIFICATION

We certify that the methods used herein have been verified to the maximum extent possible and in accordance with applicable Military Specifications. Speculations regarding Documents AFR 8-1 TO 8-51 (except requirements and test criteria) are prohibited. Products shall meet requirements stated in AFR 10 and approved supplements and included with the reproduction copy. We recommend the methods used herein be substituted in publications when the publications permit such.

11. APPROVALS	APPROVALS/INITIALS	SIGNATURE AND DATE
A. USING COMMAND/ISSUER TAC/TACSO-E	Approved	David Baker 5/1/90
B. A/C		
C. A/C		
D. OTHER		
E. OTHER		
F. OTHER		
G. CONTRACTOR GE Co.	Approved	James W. Romney 5/1/90
H. IDENTIFICATION CHAIRPERSON EJW/TBL TUMA	Approved	James W. Romney 5/1/90

AFTO FORM 4
MAY 84

MINARY

AL MANUAL

GRAMS MANUAL

ANSMITTER FPS118(V)

ELECTRIC COMPANY)
AL ELECTRONICS,
OF VARIAN, INC.)
DB-82-C-0114

U.S. DOD contractors only for administrative or operational
requests shall be referred to SM-ALC/MMEDTD, McClellan AFB,

export is restricted by the Arms Export Control Act (Title 22,
in of these export laws is subject to severe criminal penalties.

will prevent disclosure of contents or reconstruction of the

OF THE SECRETARY OF THE AIR FORCE

LIST OF EFFECTIVE PAGES

INSERT LATER CHANGED PAGES. DESTROY SUPERSEDED PAGES.

NOTE: The portion of text affected by the changes is indicated by a vertical line in the outer margin of the page.
Changes to illustrations are indicated by miniature pointing hands. Changes to wiring diagrams are indicated by shaded areas.

Dates of issue for original and changed pages are:

TOTAL NUMBER OF PAGES IN THIS PUBLICATION IS CONSISTING OF THE FOLLOWING

Page No.	*Change No.	Page No.	*Change No.
----------	-------------	----------	-------------

*Zero in this column indicates an original page.

IS

Page

.....	vii
ly Panel 1A1	1-1
rd Assem-	1-25
.....	1-43
sembly 1A1A2	1-45
.....	1-47
.....	1-49
.....	1-51
ard 1A1A6.	1-53
1A1A7.	1-55
A1A8	1-57
.....	1-59
.....	1-61
.....	1-63
.....	1-65
A1A13.	1-67
1A1A14.	1-69
bly 1A1A18	1-71
.....	1-77
5A1.	1-79
.....	1-81
.....	1-83
.....	1-85
1A20	1-87
1FL2, 1FL3.	1-89
nds	1-91
nds	1-93
A,B 1FL7	1-95
C,D,E 1FL8	1-97
1FL9.	1-99

31P6-2FP

.....

.....

.....

1A11

iii/

TABLE OF CONTENTS - CONT

Section	Page
II WIRING LISTS - CONT	
2-23 PA Grid Bandpass Filter 1FL8	2-221
2-24 PA Grid Bandpass Filter 1FL9	2-223
2-25 IPA Bias Power Supply 1PS1	2-225
2-26 Driver Amplifier Bias Power Supply 1PS4	2-229
2-27 PA Bias Power Supply 1PS5	2-233
2-28 Transfer Switch 1S32, 1S33, 1S34, 1S35	2-237
2-29 Transfer Switch 1S36, 1S37	2-239
2-30 Grounding Switch 1S38	2-241
2-31 High Voltage Power Supply Cabinet 2	2-243
2-32 Electronic Crowbar 2A1	2-297
2-33 Electronic System Protection Panel 2A2	2-301
2-34 Meter Assembly Panel 2A3	2-313
2-35 Phase Monitor 2Z1, 2Z2	2-315
2-36 High Voltage AC Switch Cabinet 3	2-317
2-37 System Interconnection, Cabinets 1 and 2	2-319

INTRODUCTION.

Section I contains schematic diagrams for the T-1524/FPS118(V) Radar Transmitter. Schematics are arranged first by major assembly cabinet number, then by subassembly reference designator. Figure 1-1, for example, is a multisheet schematic of the overall Transmitter Cabinet 1. Figures 1-2 through 1-33 are schematics of cabinet 1 subassemblies. The High Voltage Power Supply Cabinet 2 and High Voltage AC Switch Cabinet 3 schematics are arranged in the same manner.

Section II contains computerized wiring lists arranged as are the schematic diagrams in Section I: by major assembly cabinet number, then by subassembly reference designator.

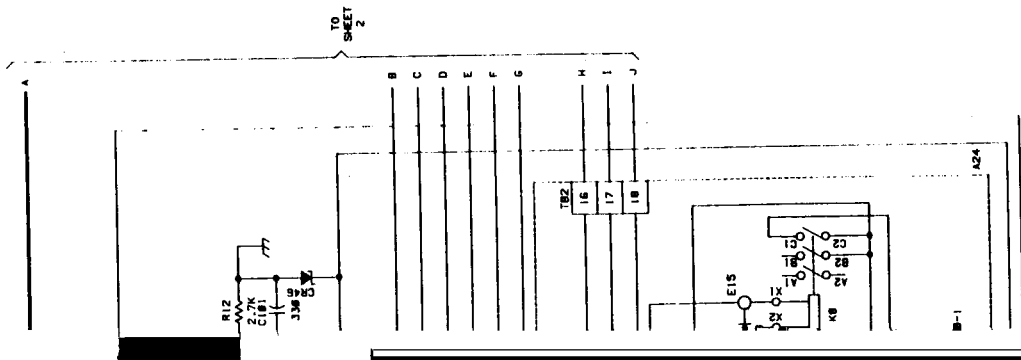


FIGURE 1-1. Transmitter Cabinet (Sheet 1 of 12)

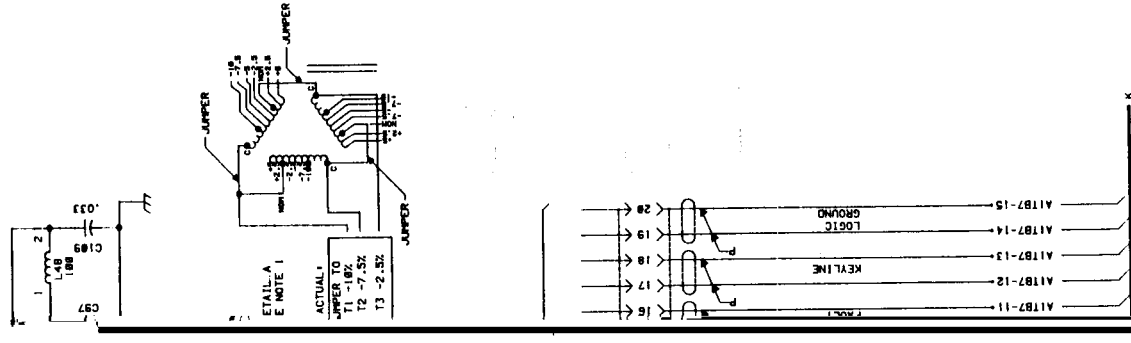
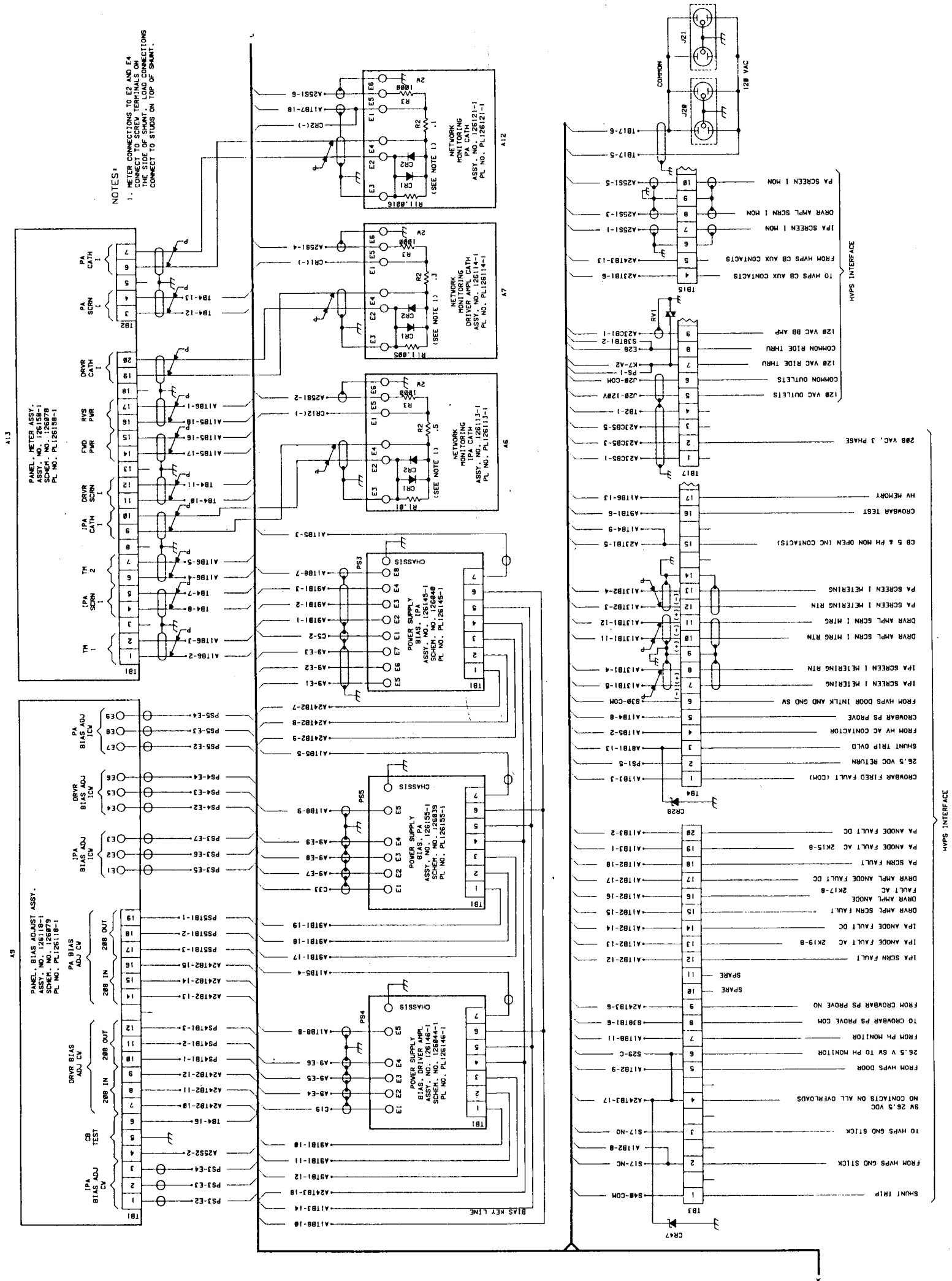


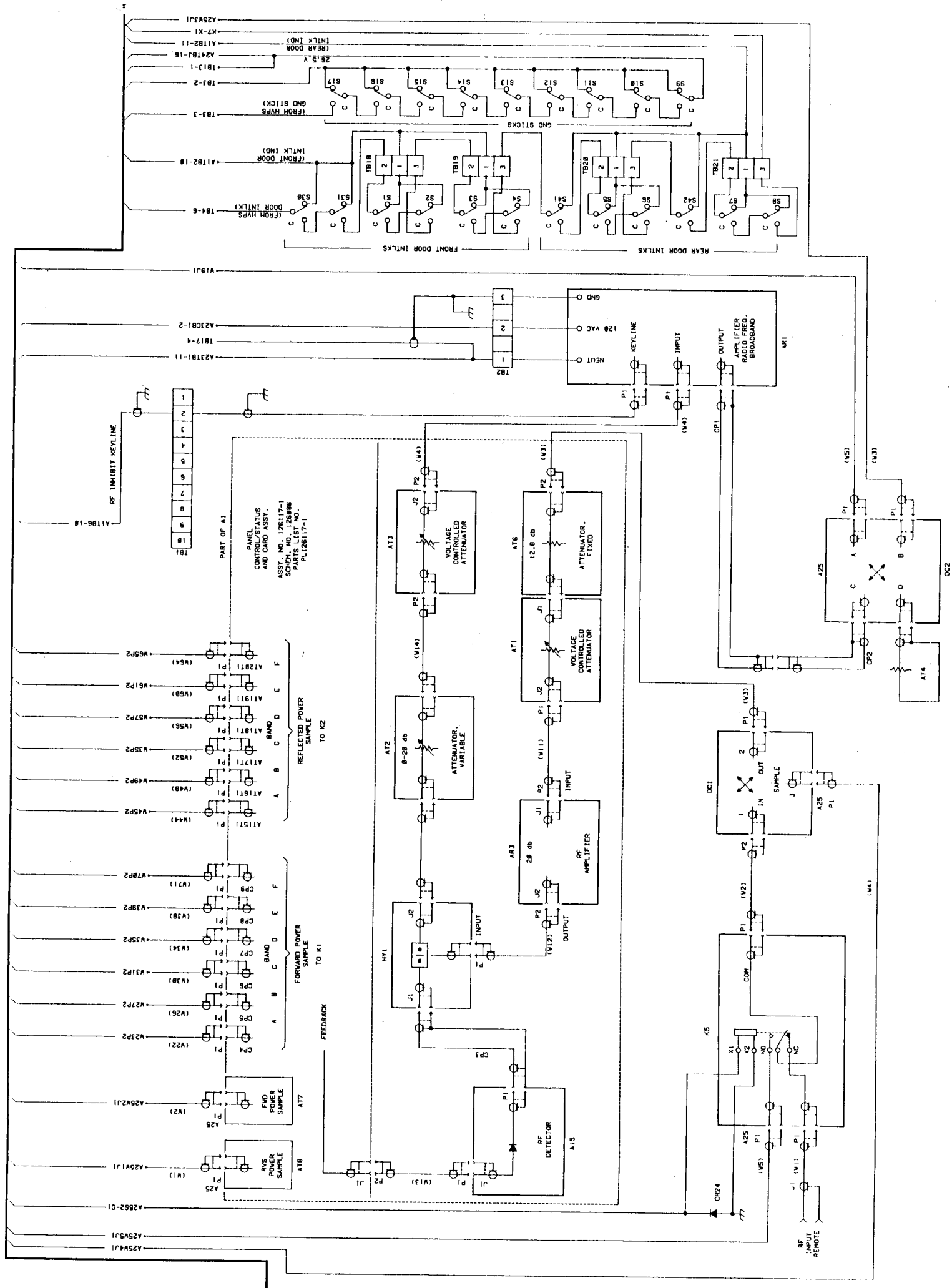
FIGURE 1-1. Transmitter Cabinet (Sheet 2 of 12)



NOTES:
 1. METER CONNECTIONS TO E2 AND E4 SHOULD BE MADE TO SCREW TERMINALS ON THE SIDE OF SHUNT. LOAD CONNECTIONS CONNECT TO STUDS ON TOP OF SHUNT.

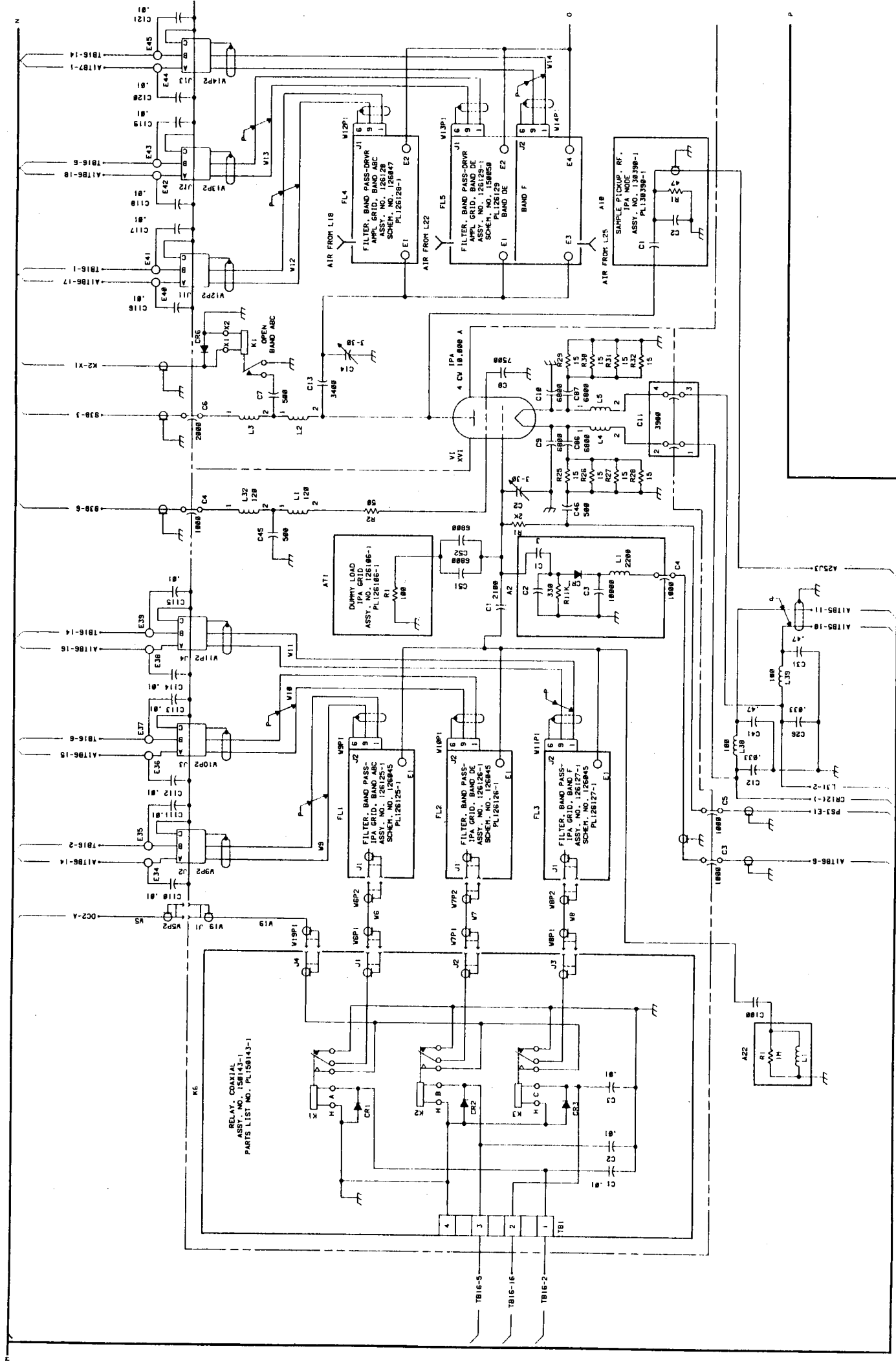
Rev AJ

FIGURE 1-1. Transmitter Cabinet (Sheet 3 of 12)



Rev AJ

FIGURE 1-1. Transmitter Cabinet (Sheet 4 of 12)



Rev AJ

FIGURE 1-1. Transmitter Cabinet (Sheet 5 of 12)

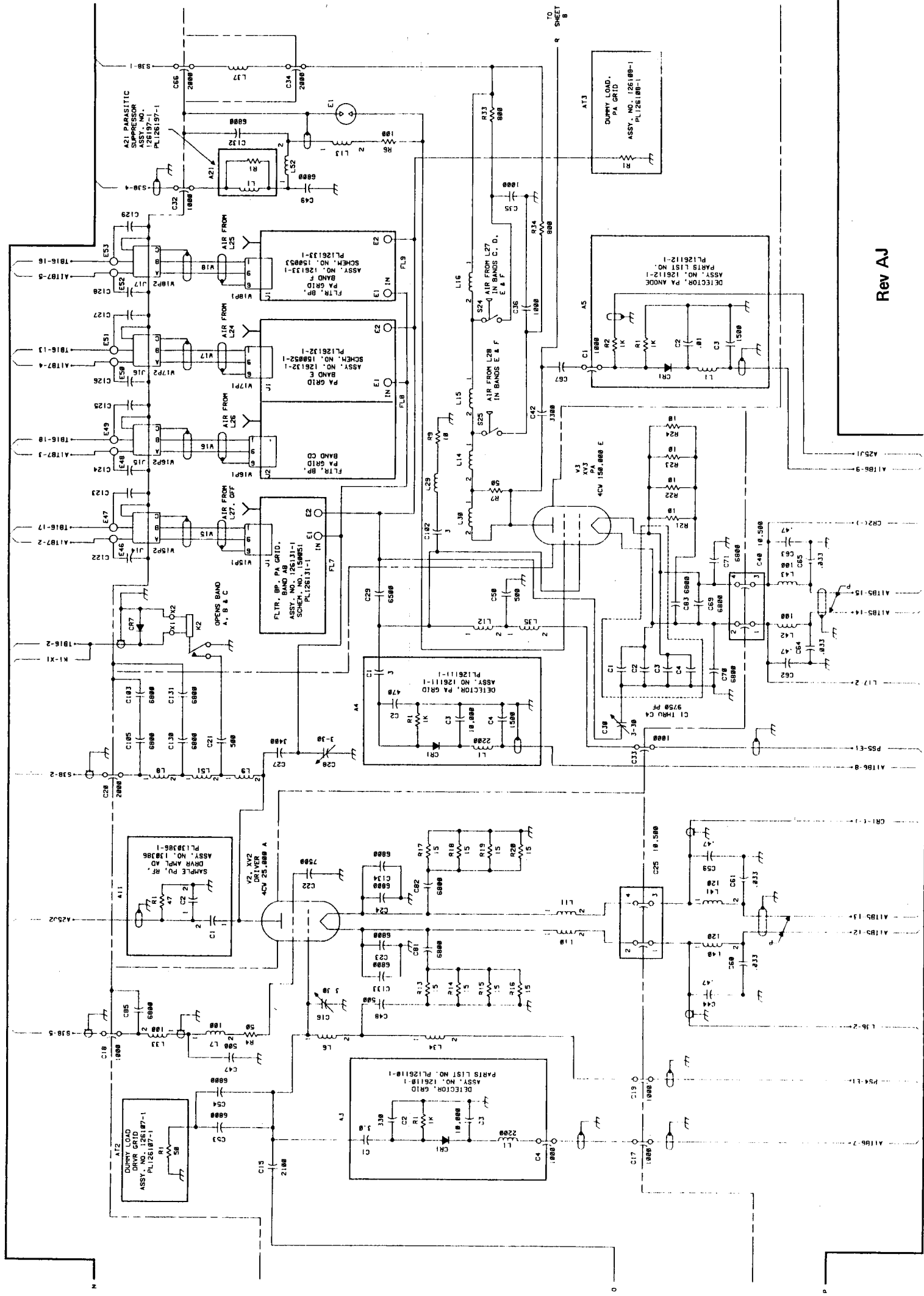
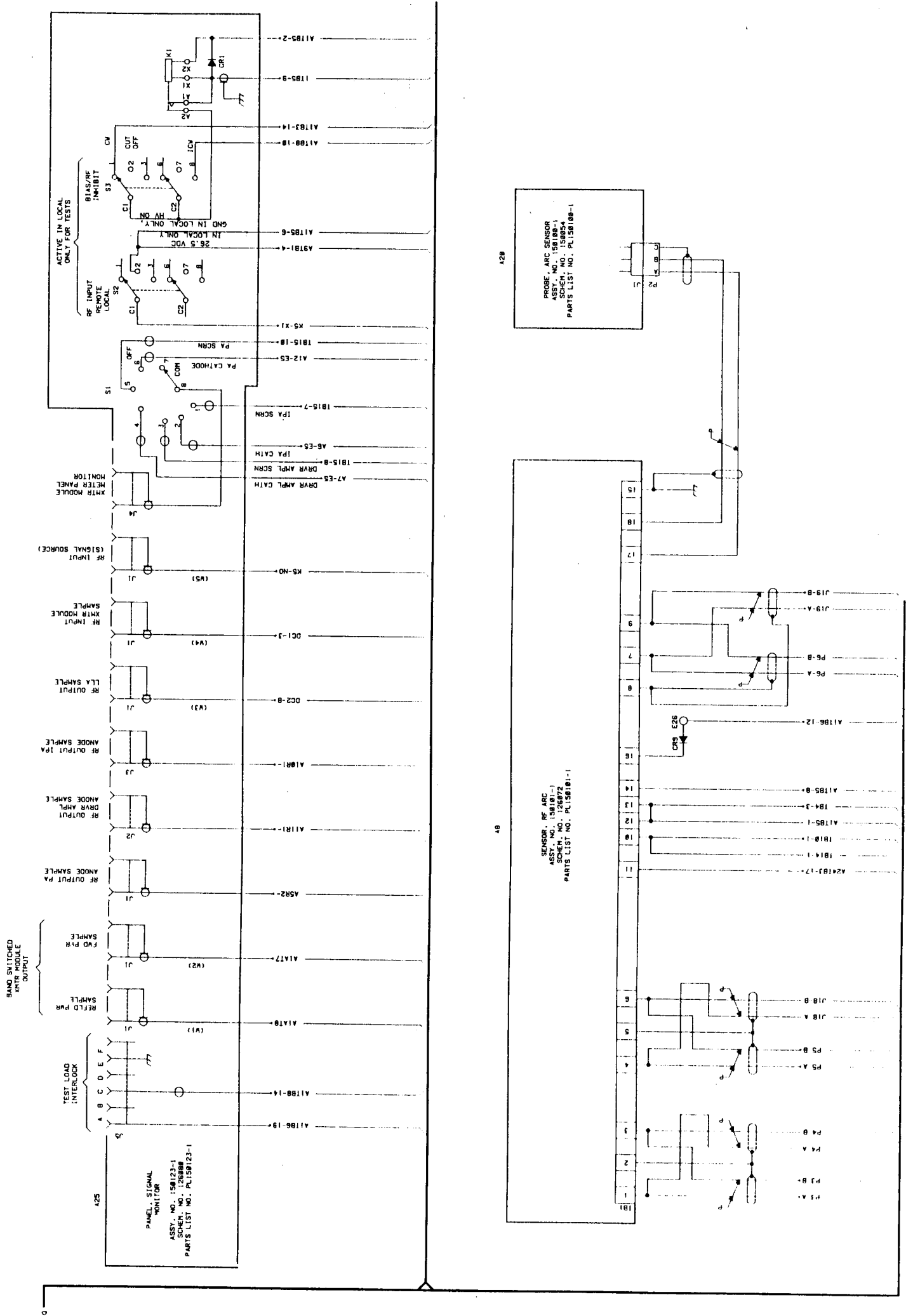
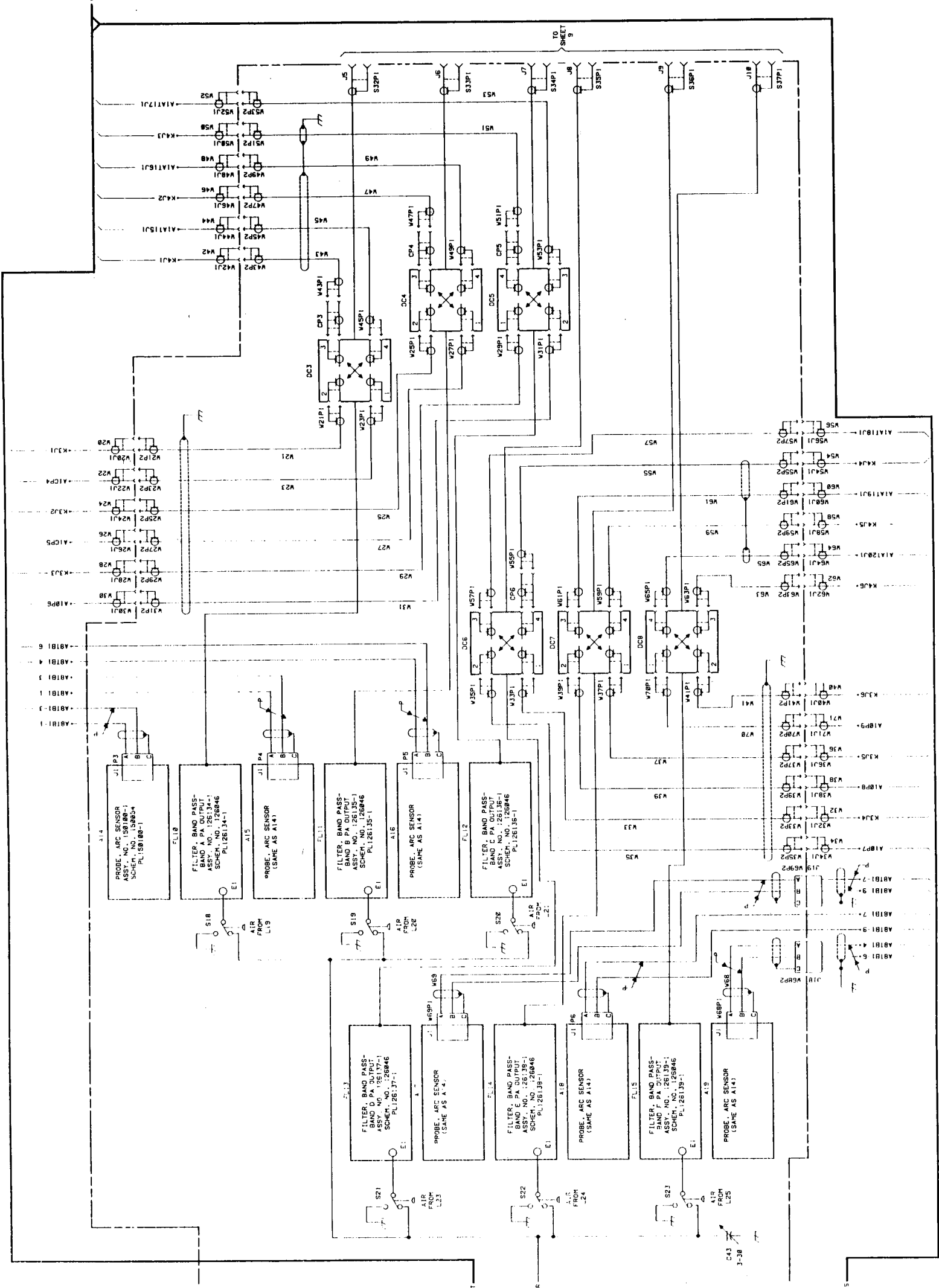


FIGURE 1-1. Transmitter Cabinet (Sheet 6 of 12)



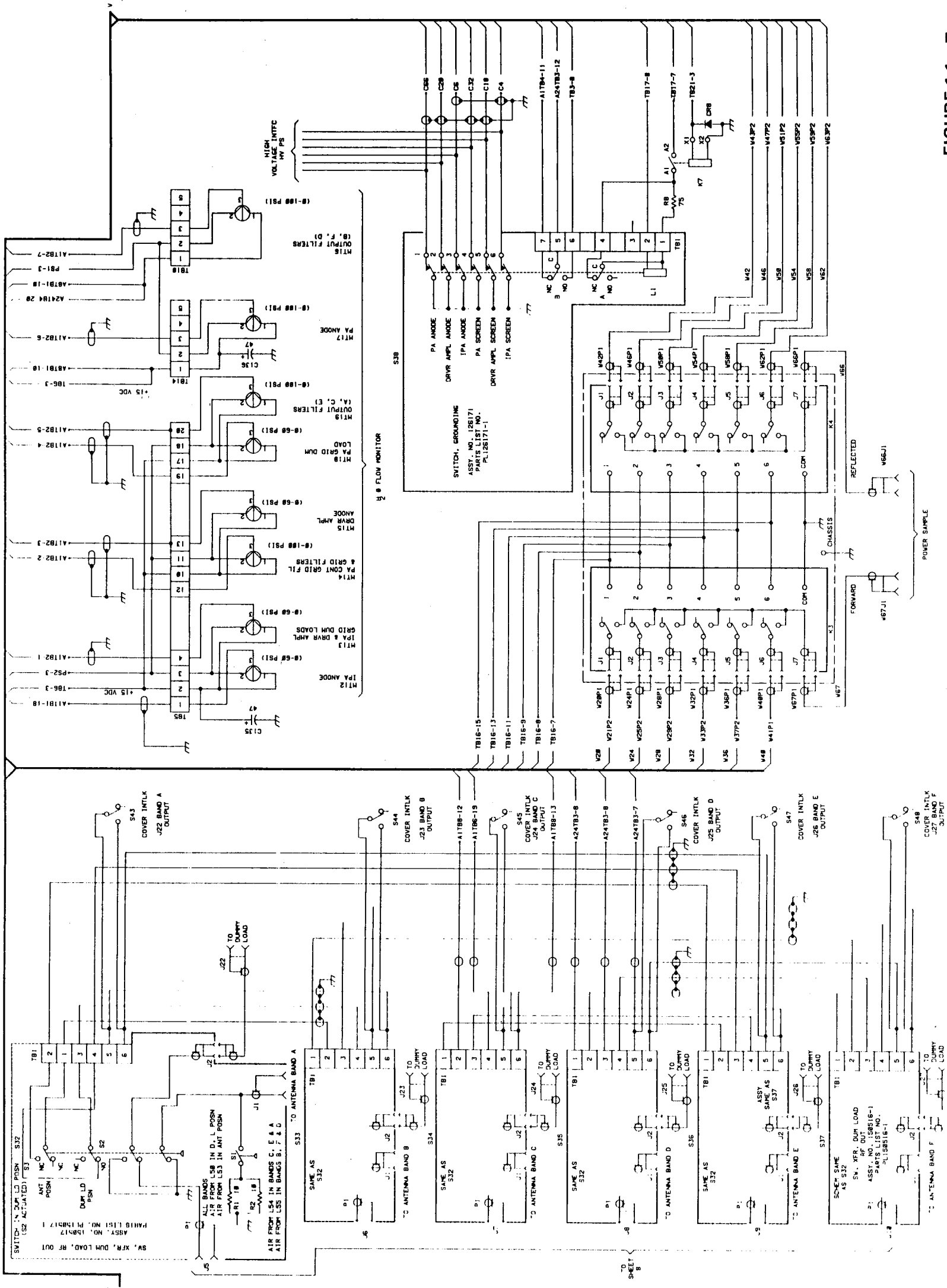
Rev AJ

FIGURE 1-1. Transmitter Cab



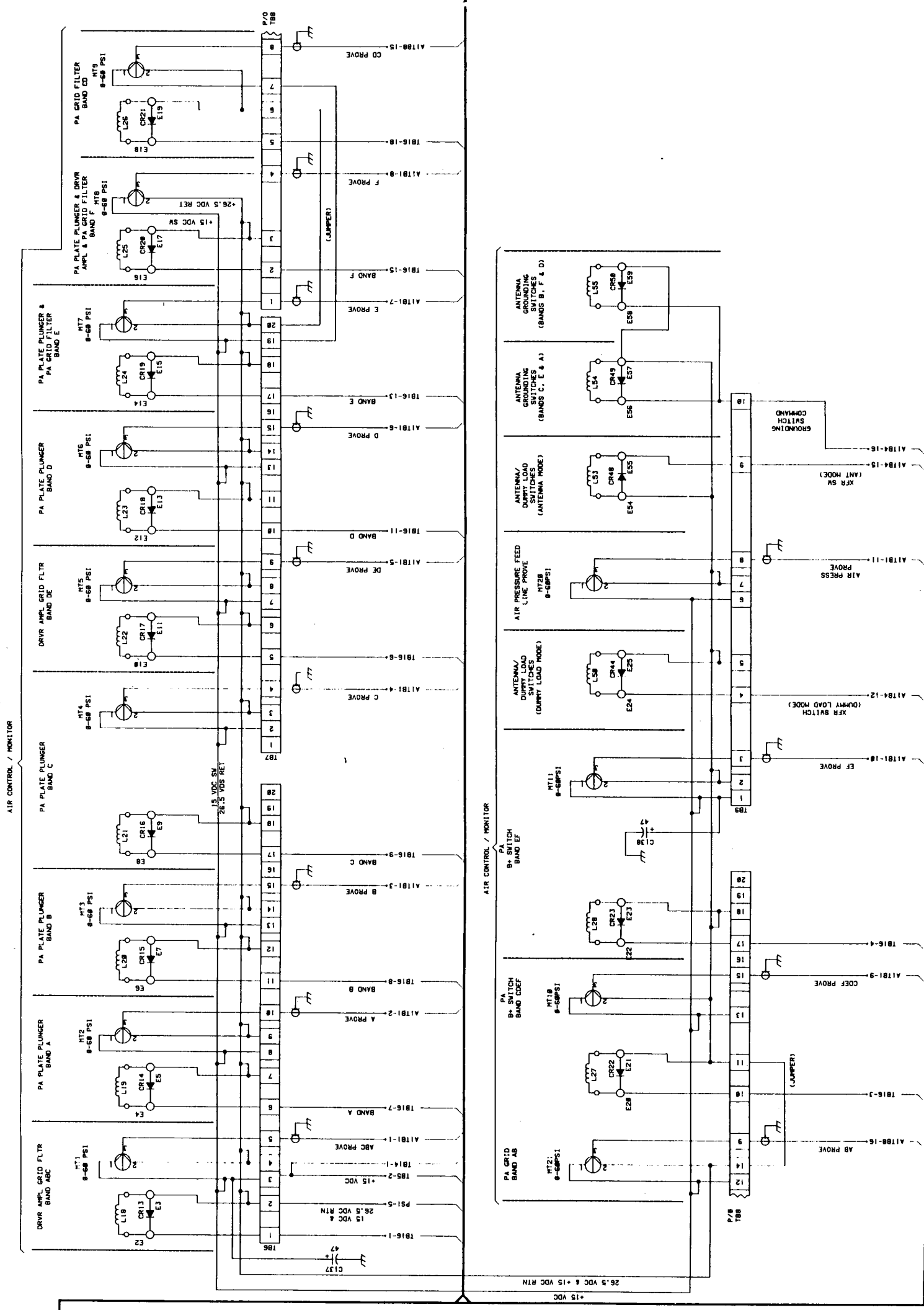
Rev AJ

FIGURE 1-1. Transmitter Cabinet (Sheet 8 of 12)



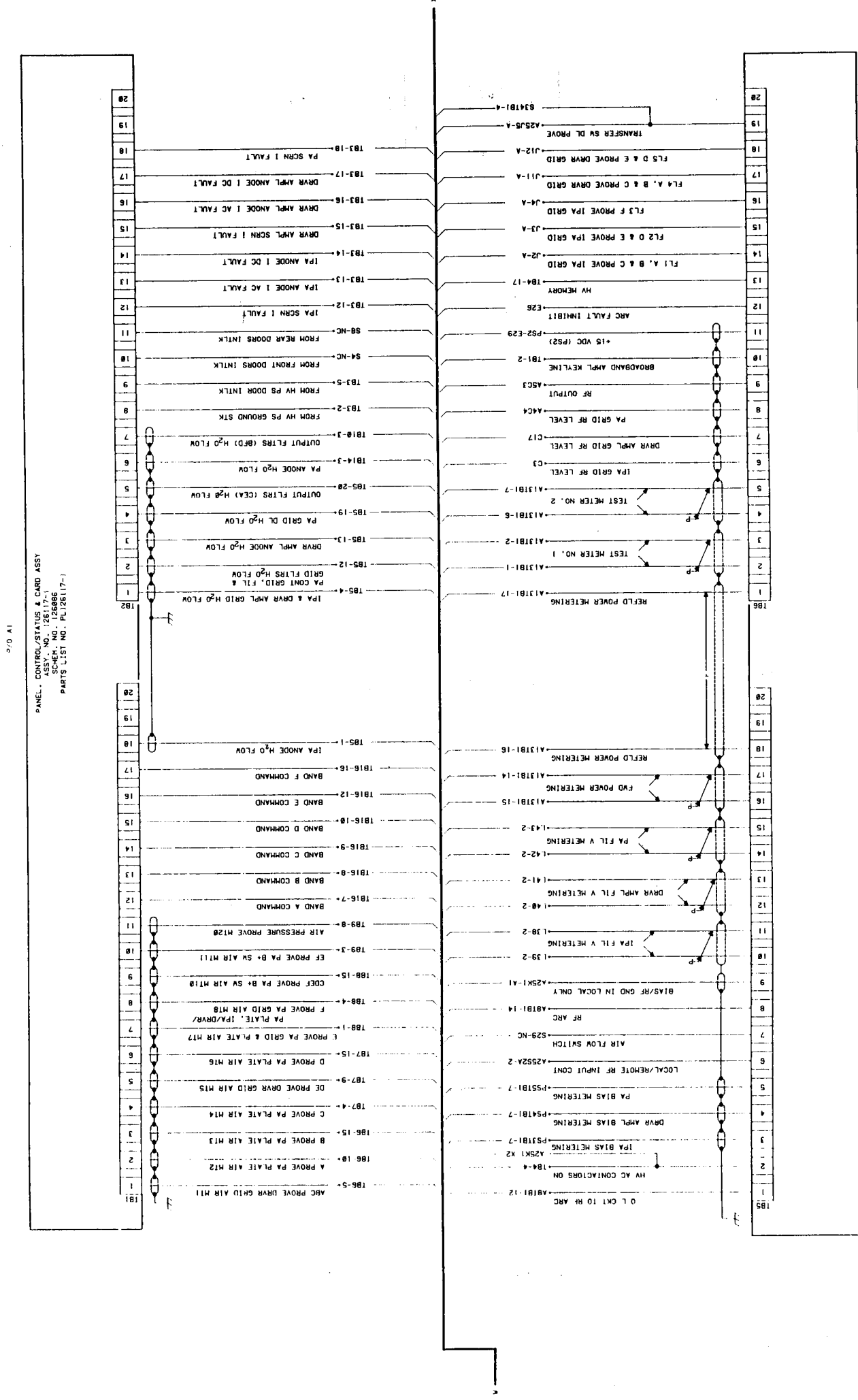
Rev AJ

FIGURE 1-1. Transmitter Cabinet (Sheet 9 of 12)



Rev AJ

FIGURE 1-1. Transmitter Cabinet (Sheet 10 of 12)



Rev AJ

FIGURE 1-1. Transmitter Cabinet (Sheet 11 of 12)

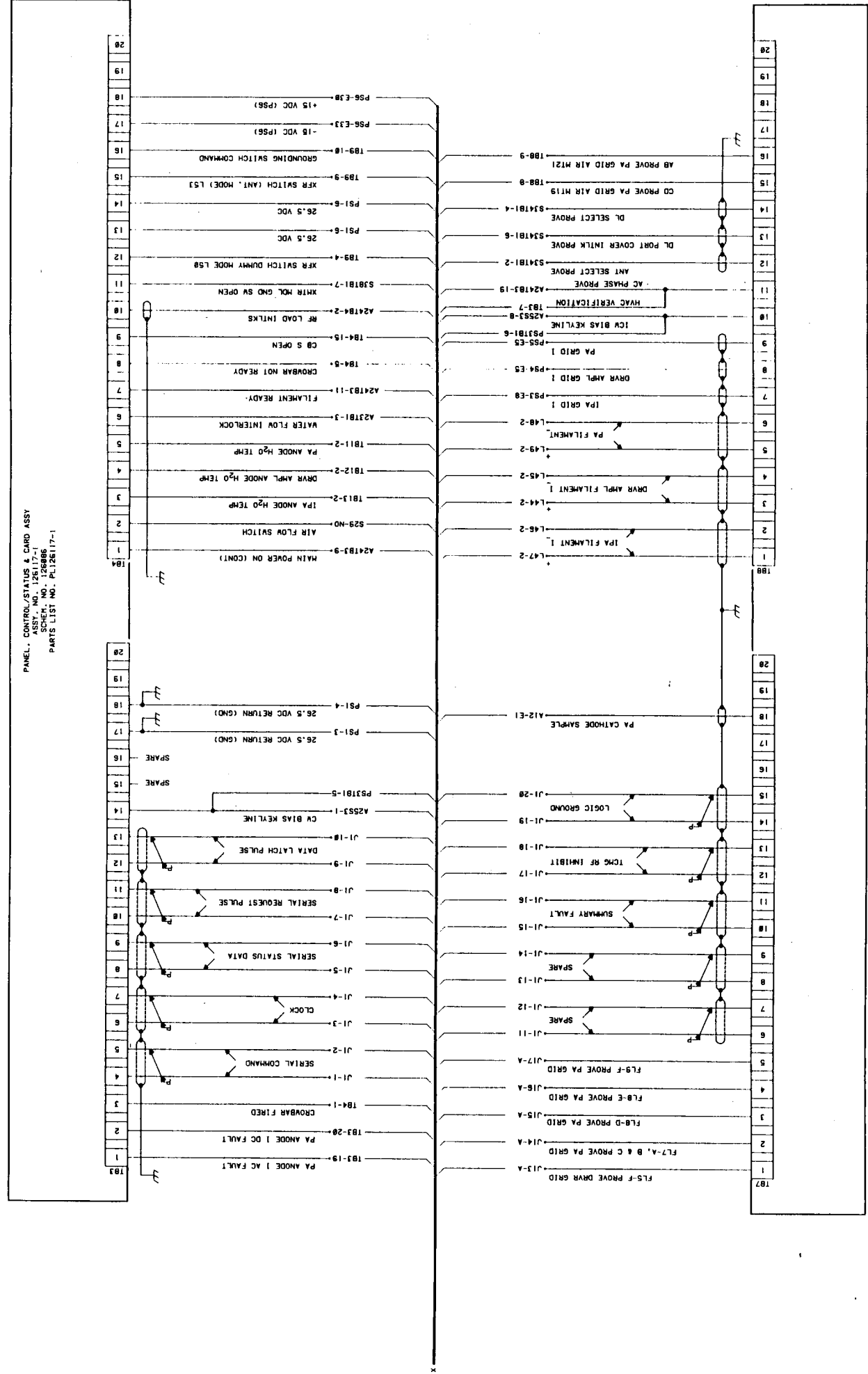
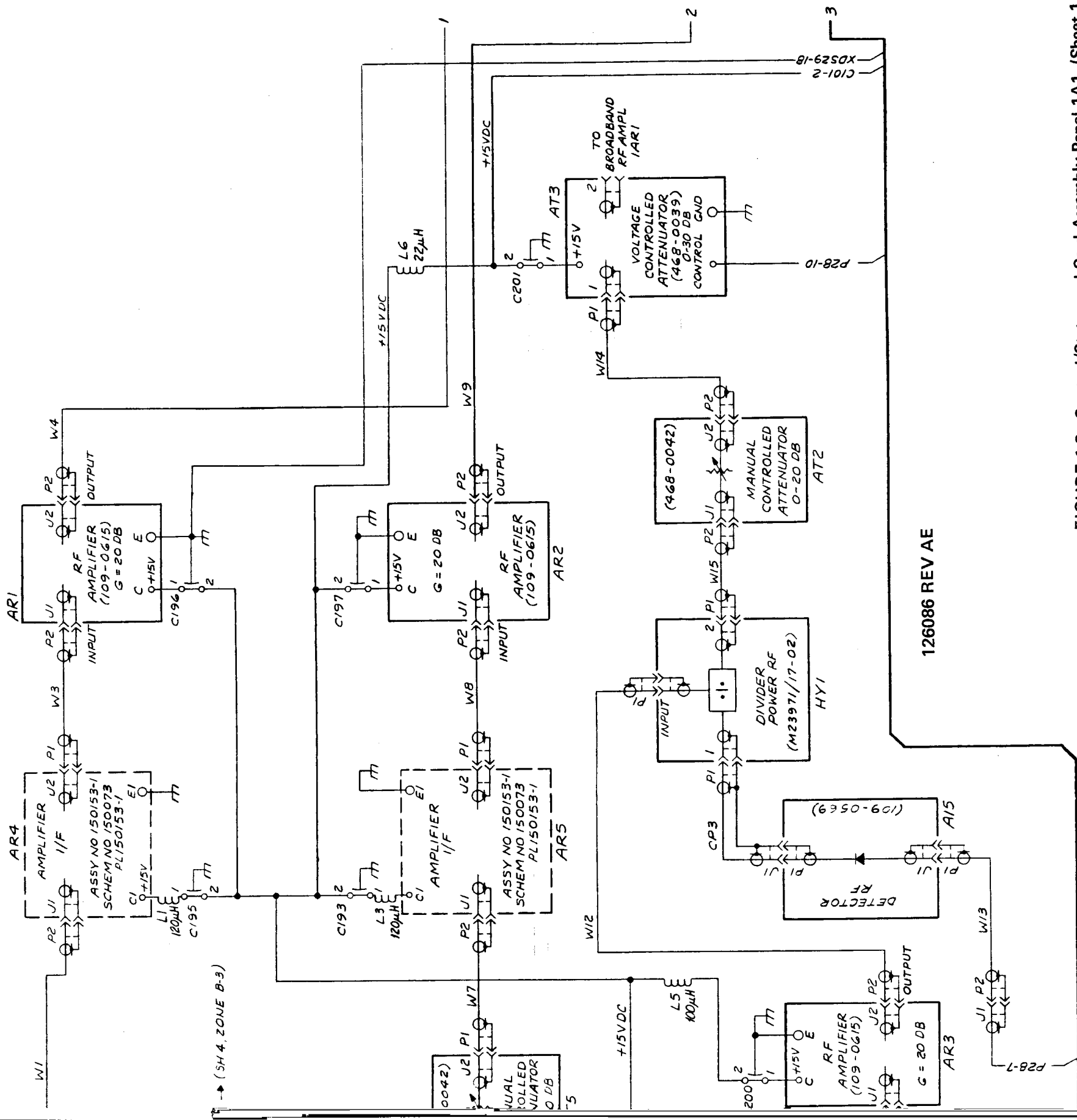


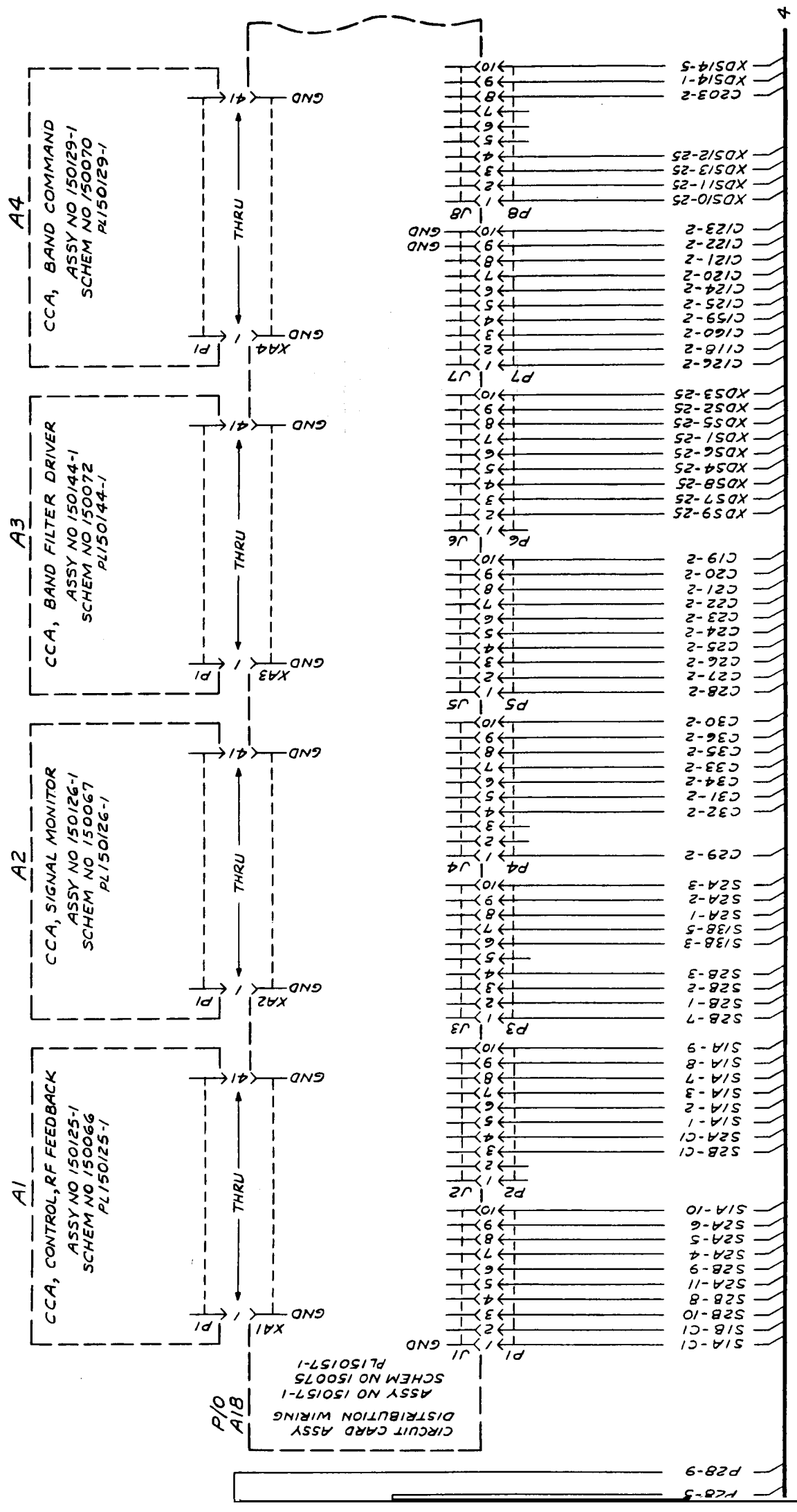
FIGURE 1-1. Transmitter Cabinet (Sheet 12 of 12)



126086 REV AE

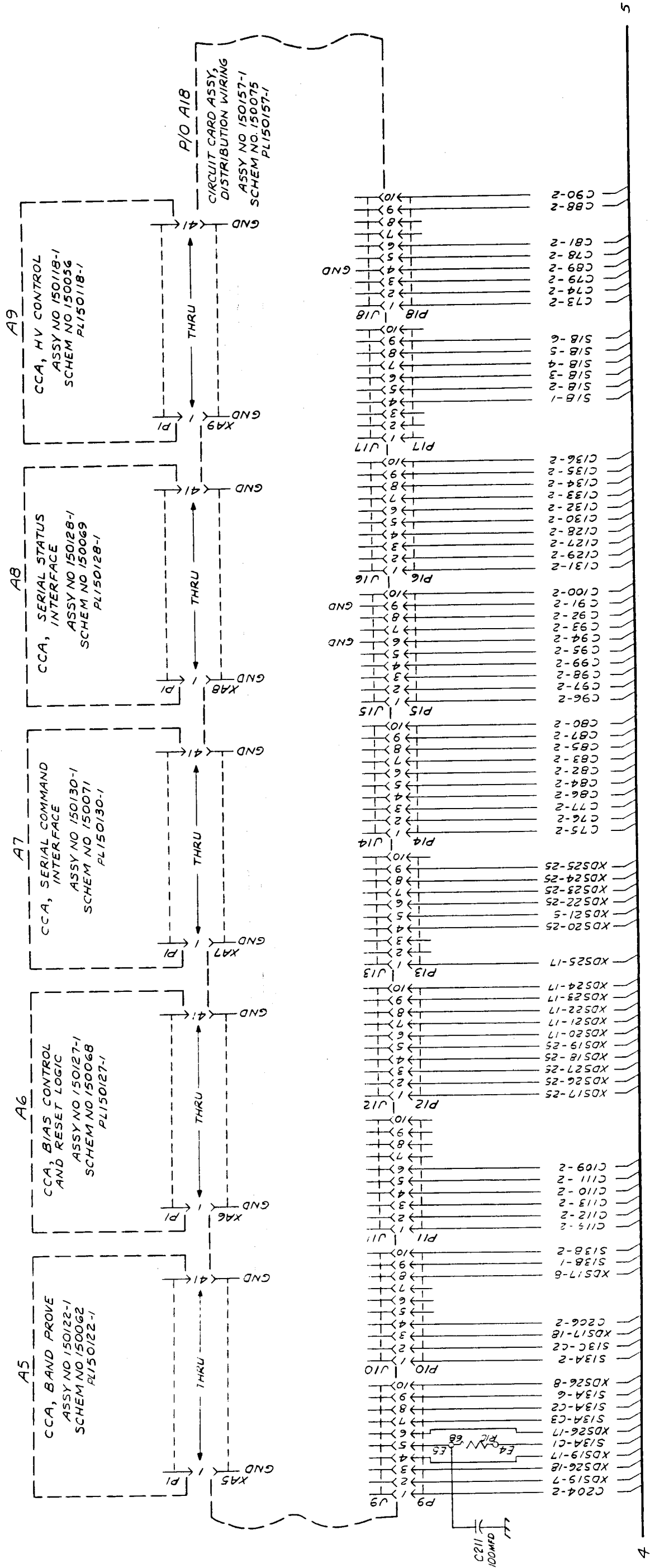
FIGURE 1-2. Control/Status and Card Assembly Panel 1A1 (Sheet 1 of 9)

MON PANEL
TR OUTPUT
R SAMPLE



126086 REV AD

FIGURE 1-2. Control/Status and Card Assembly Panel 1A1 (Sheet 2 of 9)



126086 REV AE

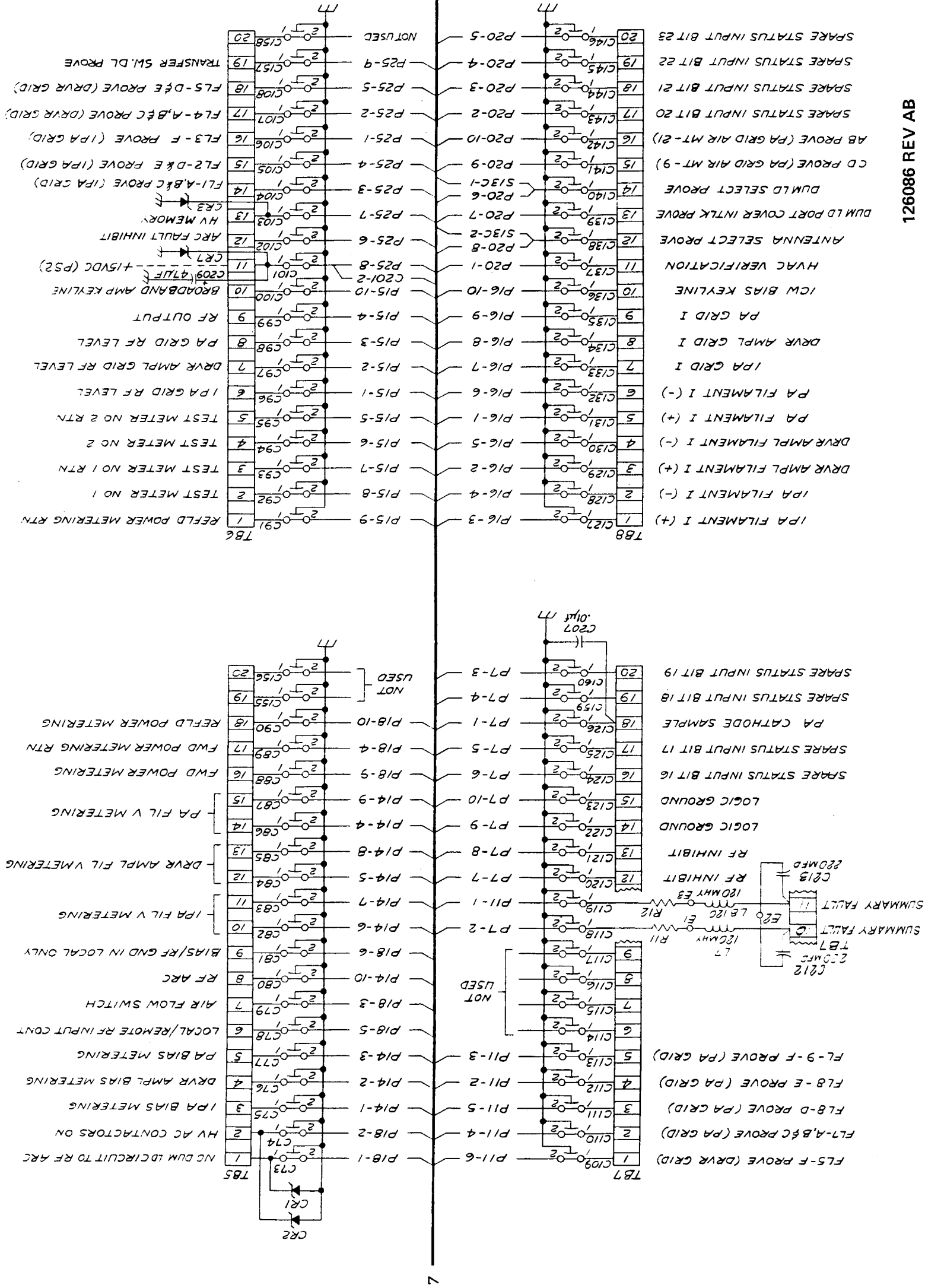
FIGURE 1-2. Control/Status and Card Assembly Panel 1A1 (Sheet 3 of 9)

1/0 A18

CARD ASSY,
MOUNTING WIRING
O 150157-1
O 150075
150157-1

SHIELD NOT
CONNECTED AT
THIS END.

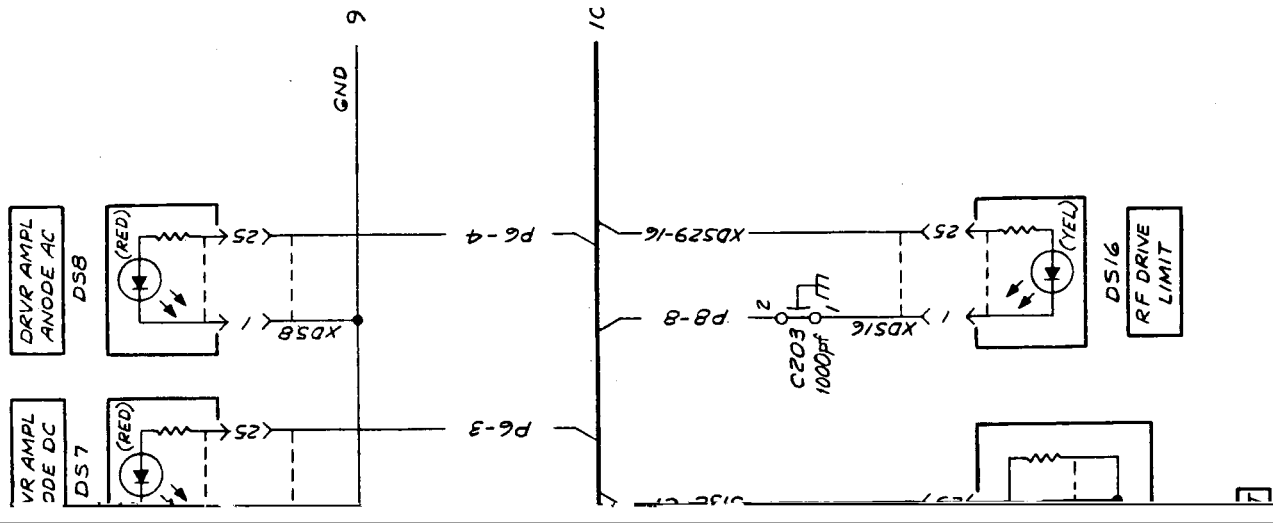
6

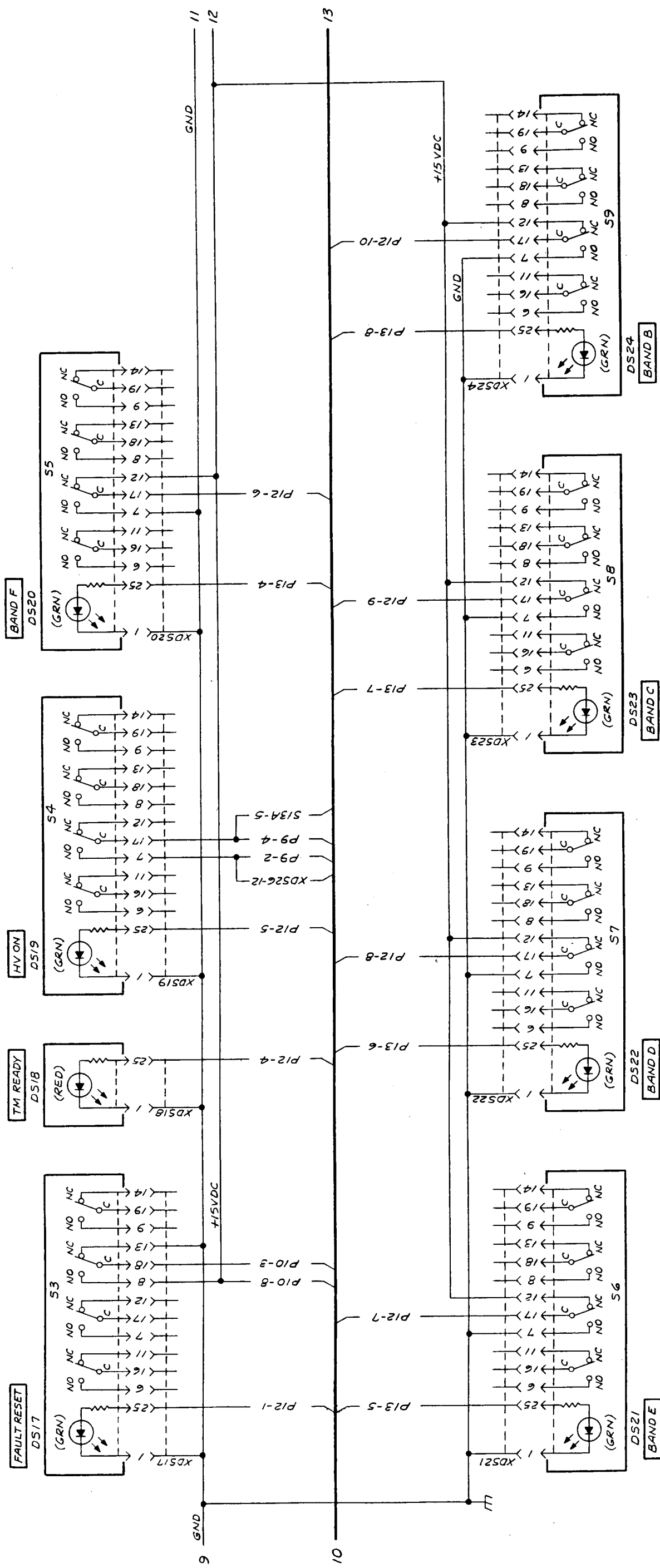


126086 REV AB

FIGURE 1-2. Control/Status and Card Assembly Panel 1A1 (Sheet 6 of 9)

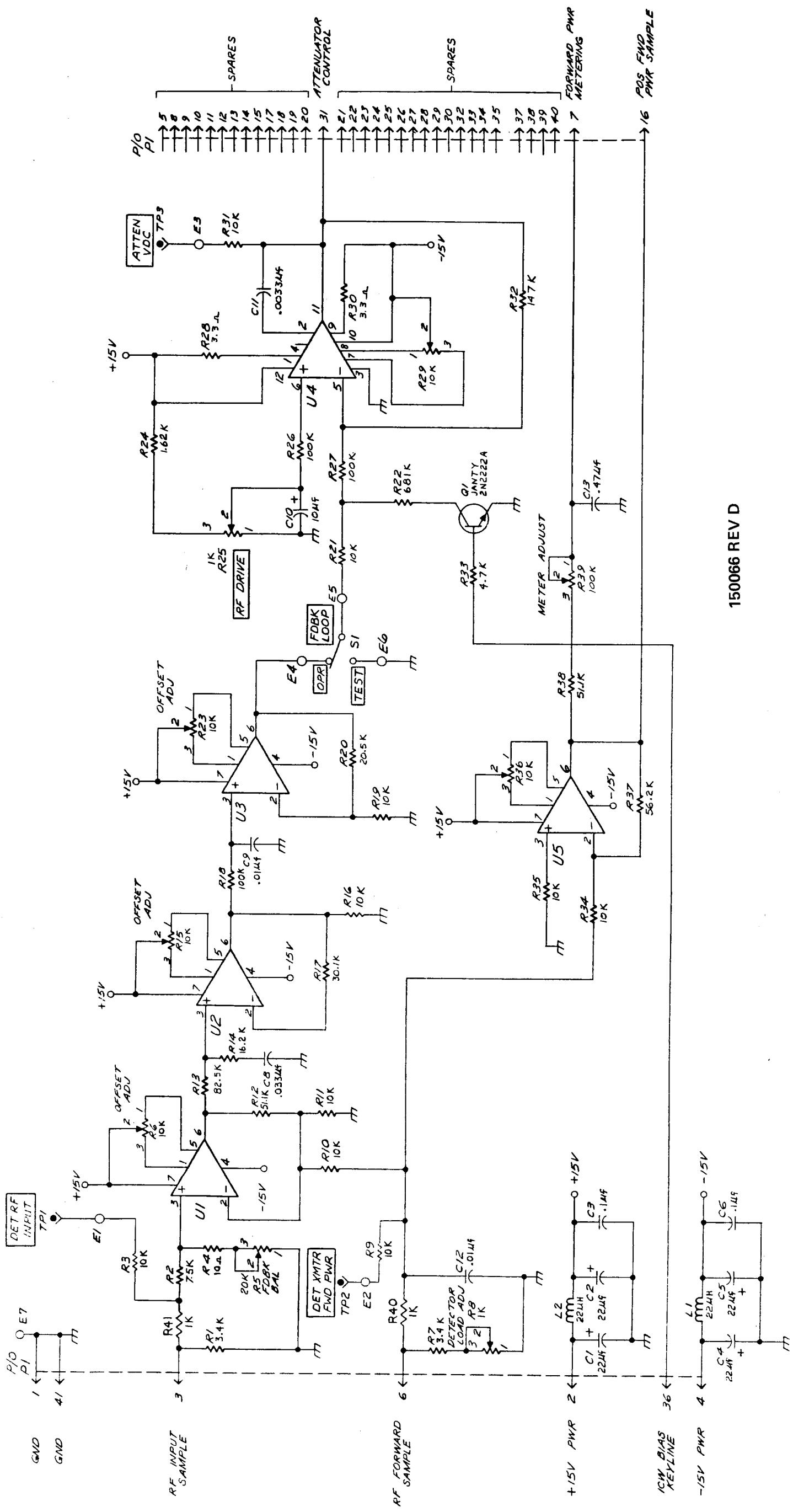
1. VALUES FOR C73-C146, C155-C160 ARE 1000pf





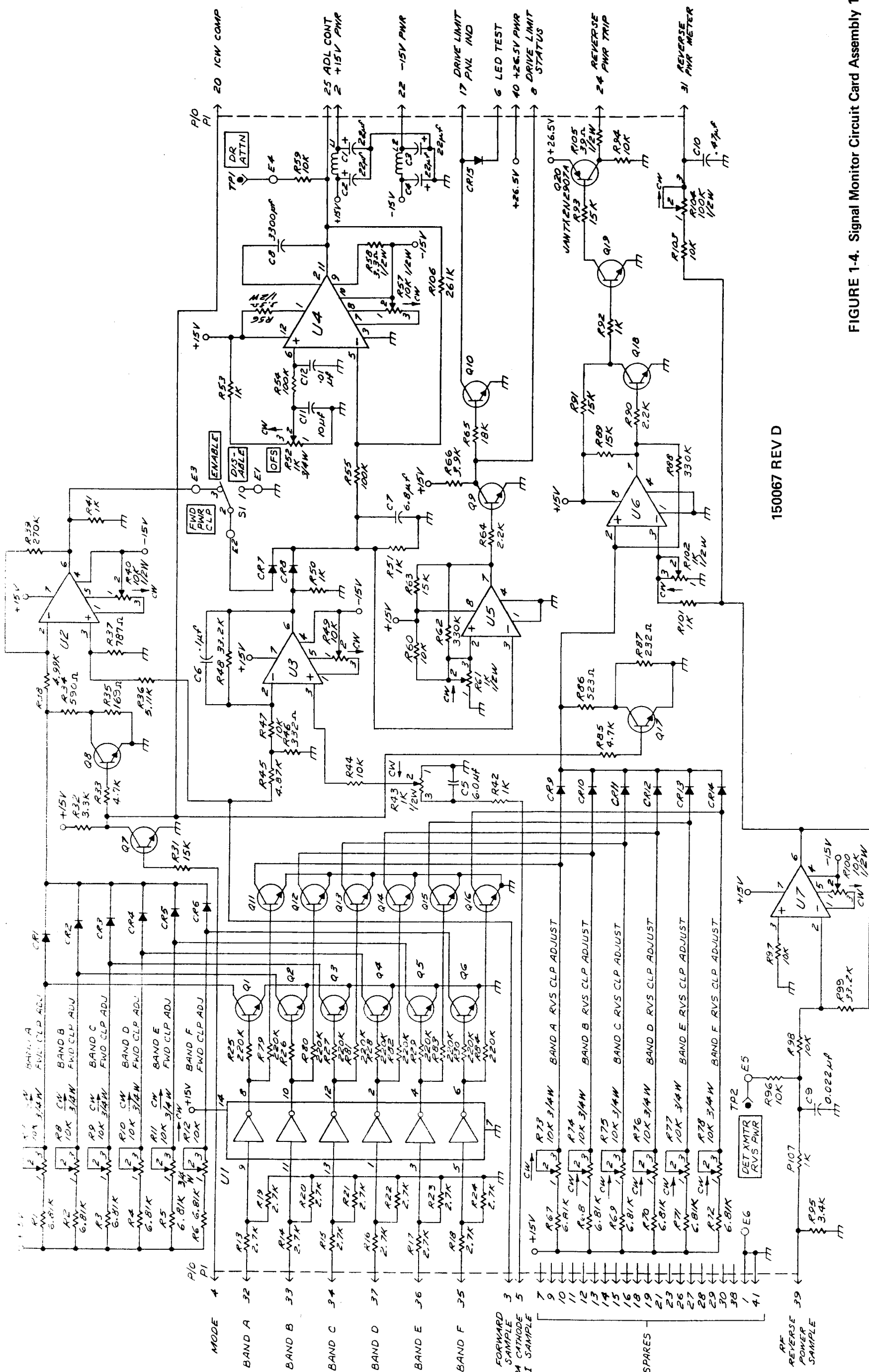
126086 REV A

FIGURE 1-2. Control/Status and Card Assembly Panel 1A1 (Sheet 8 of 9)



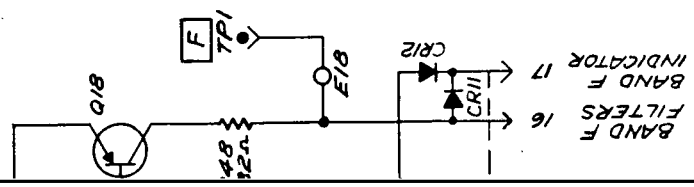
150066 REV D

FIGURE 1-3. RF Feedback Control Card Assembly 1A1A1



150067 REV D

FIGURE 1-4. Signal Monitor Circuit Card Assembly 1A1A2



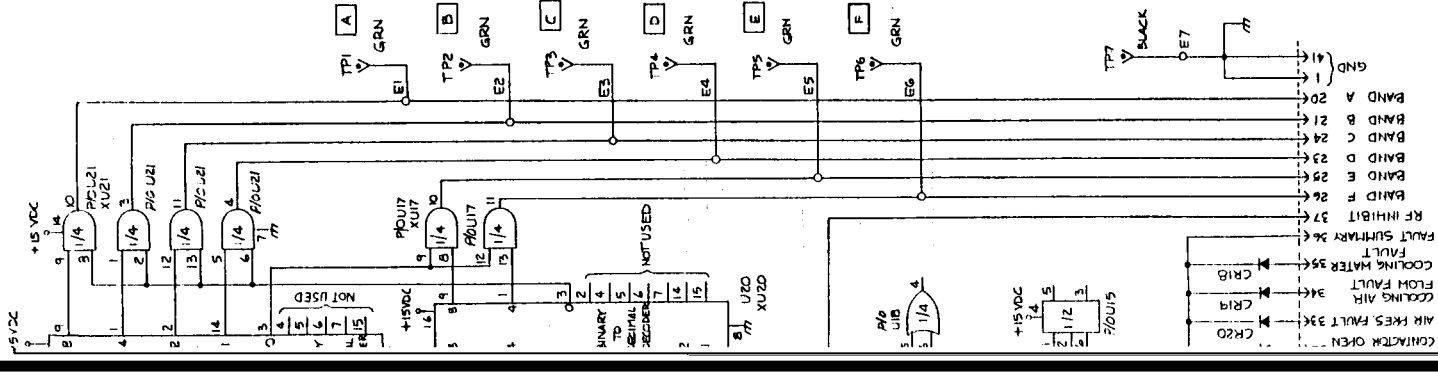
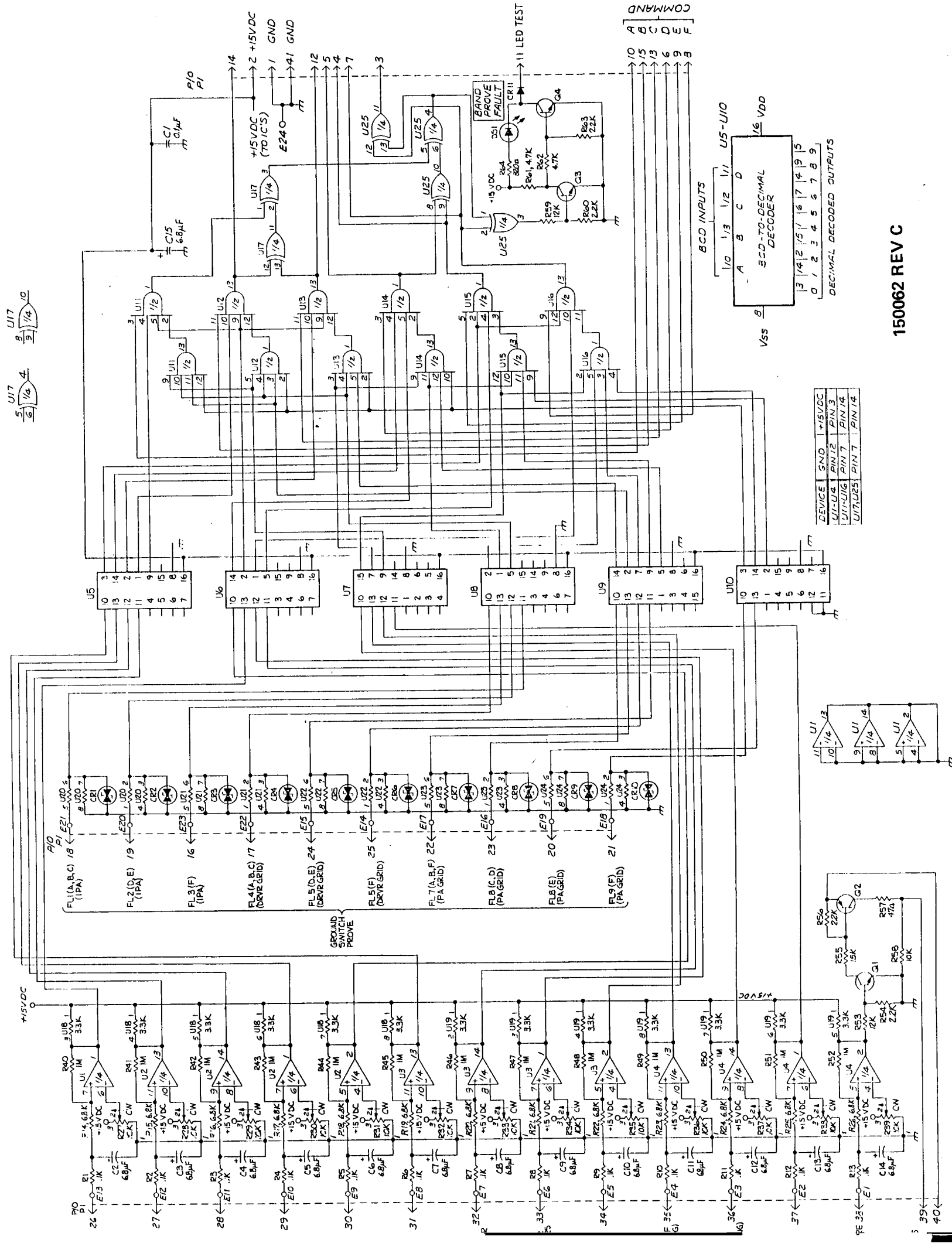
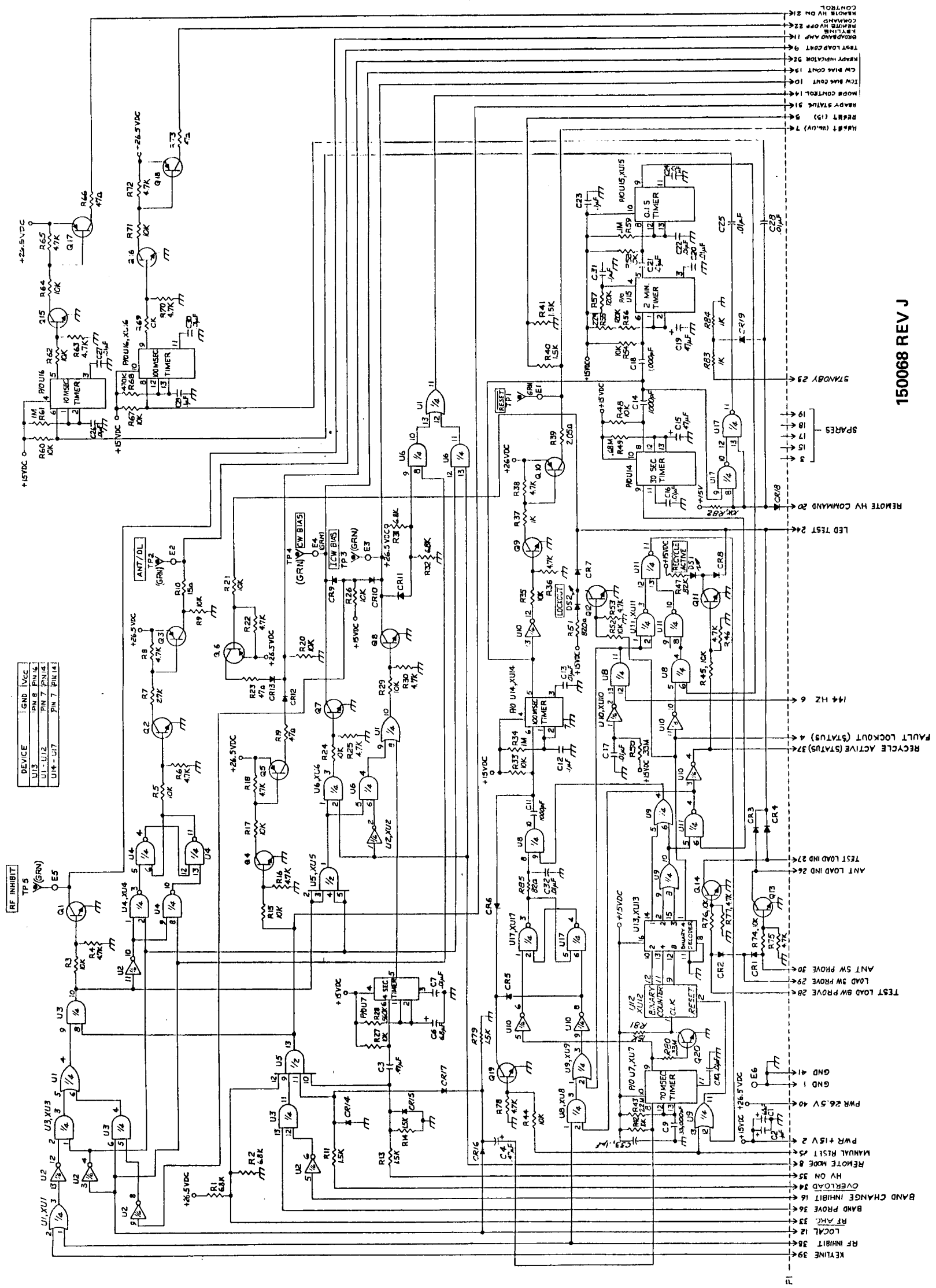


FIGURE 1-6. Band Command Card 1A1A4



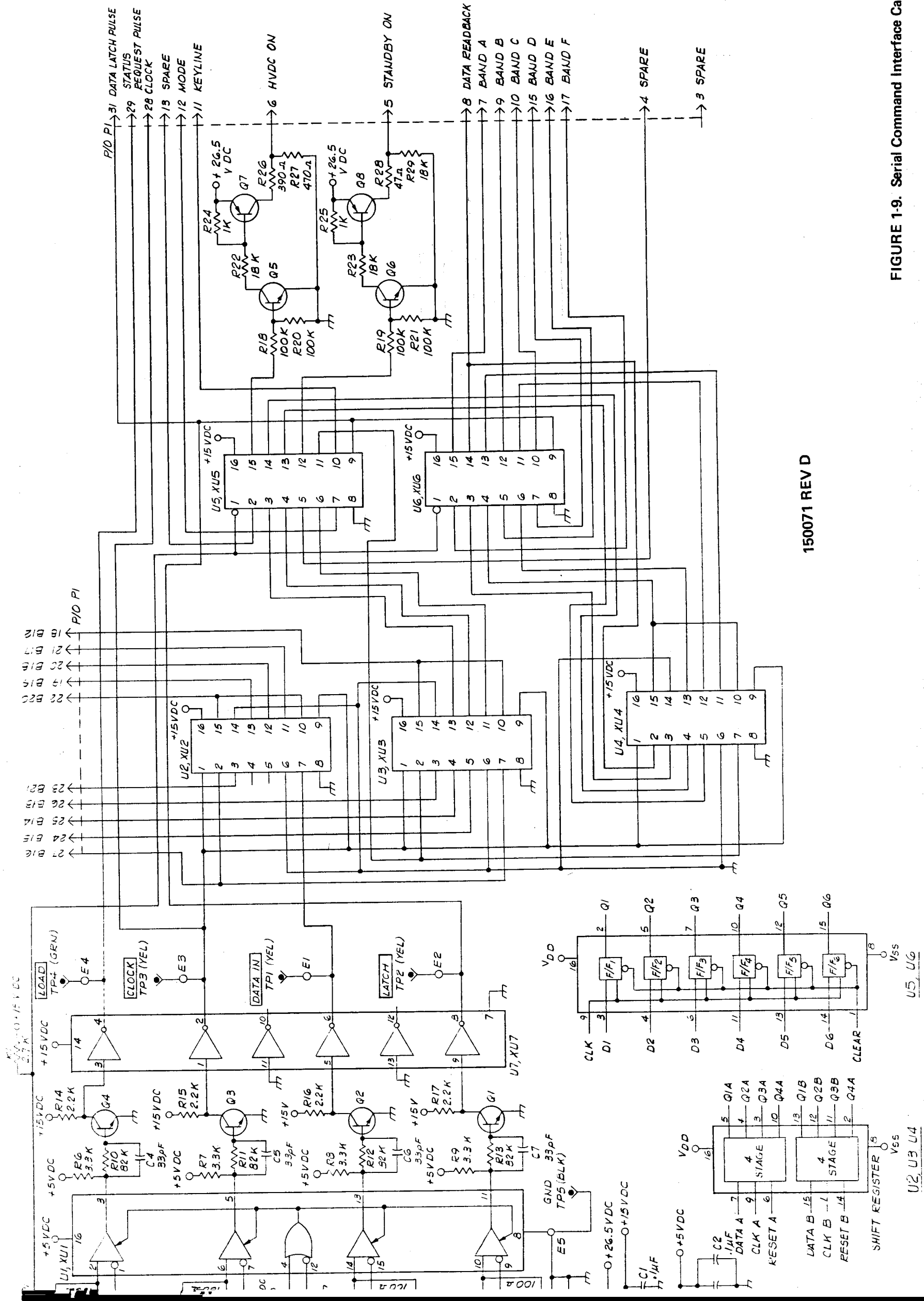
150062 REV C

FIGURE 1-7. Band Prove Card 1A1A5



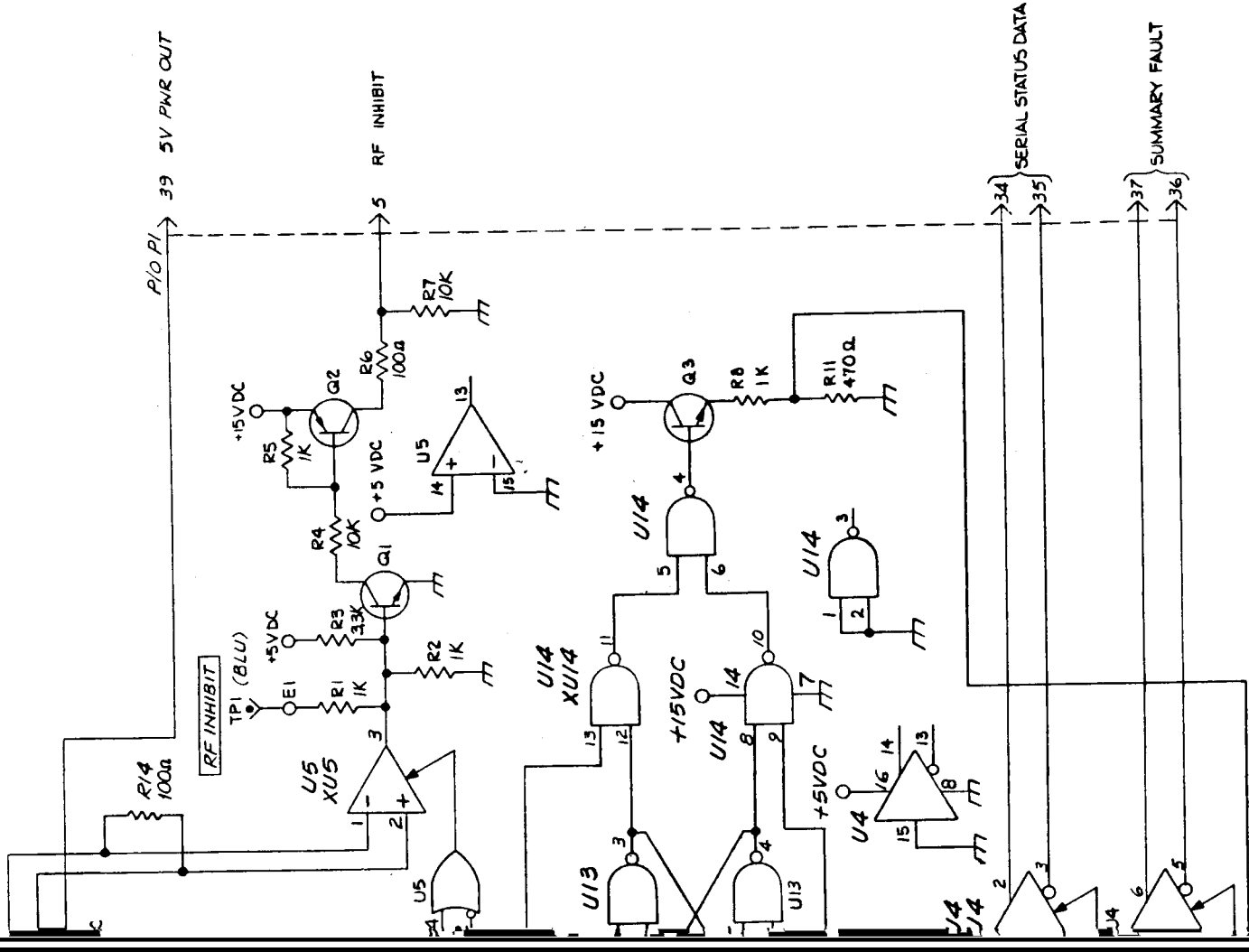
150068 REV J

FIGURE 1-8. Bias Control and Logic Card 1A1A6



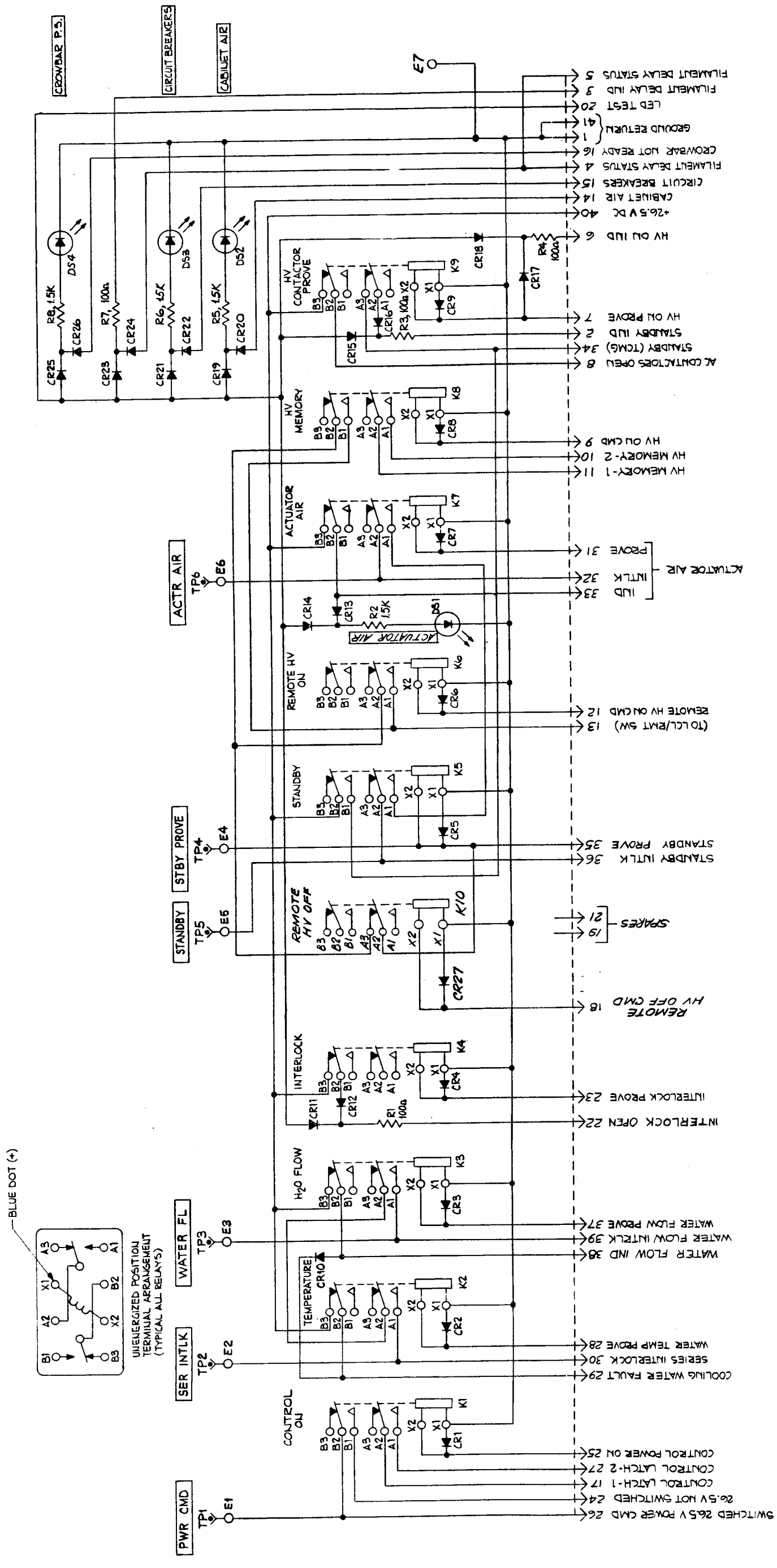
150071 REV D

FIGURE 1-9. Serial Command Interface Card 1A1A1



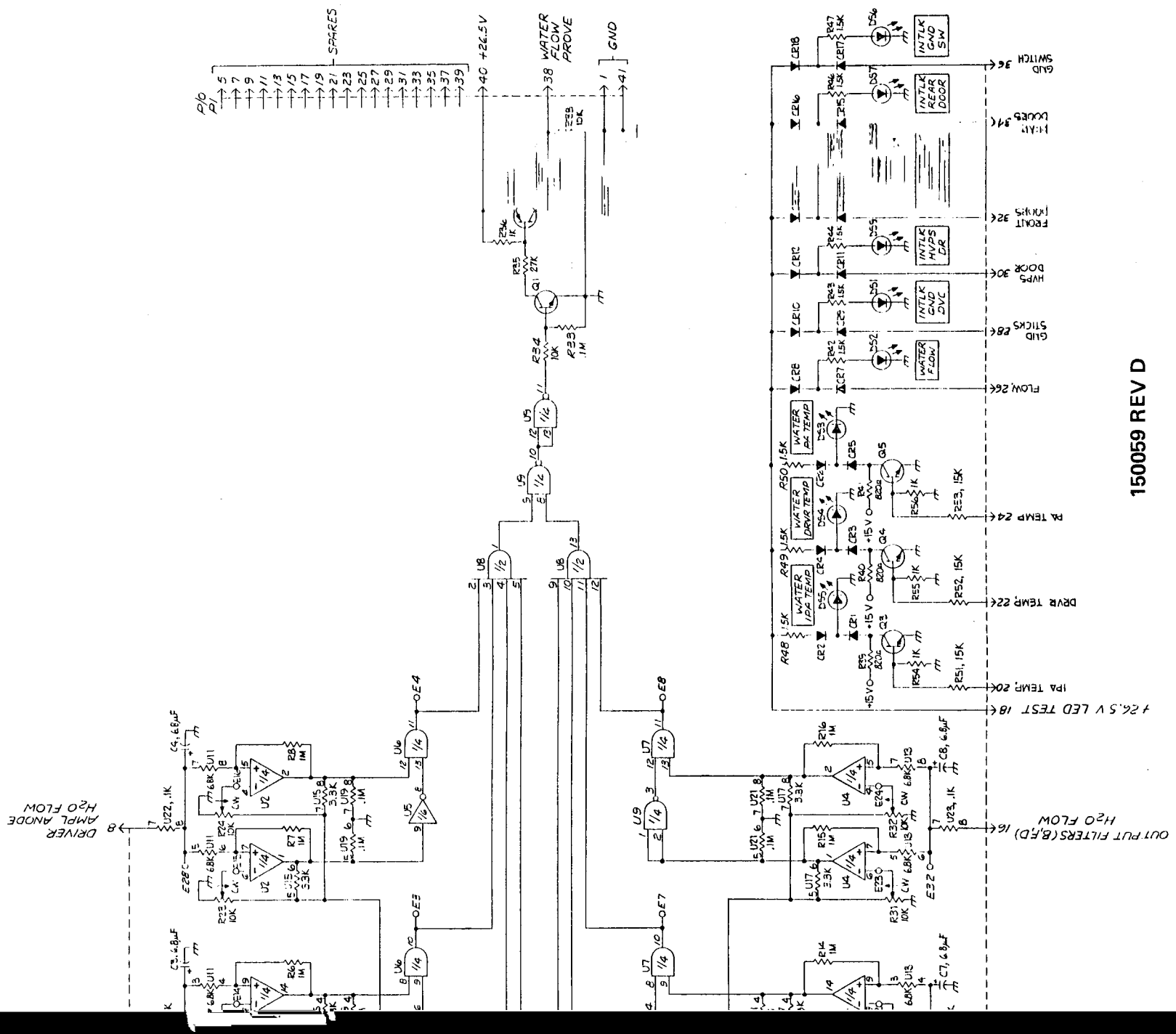
99 REV F

FIGURE 1-10. Serial Status Interface Card 1A1A8



150056 REV D

FIGURE 1-11. HV Control Card 1A1A9

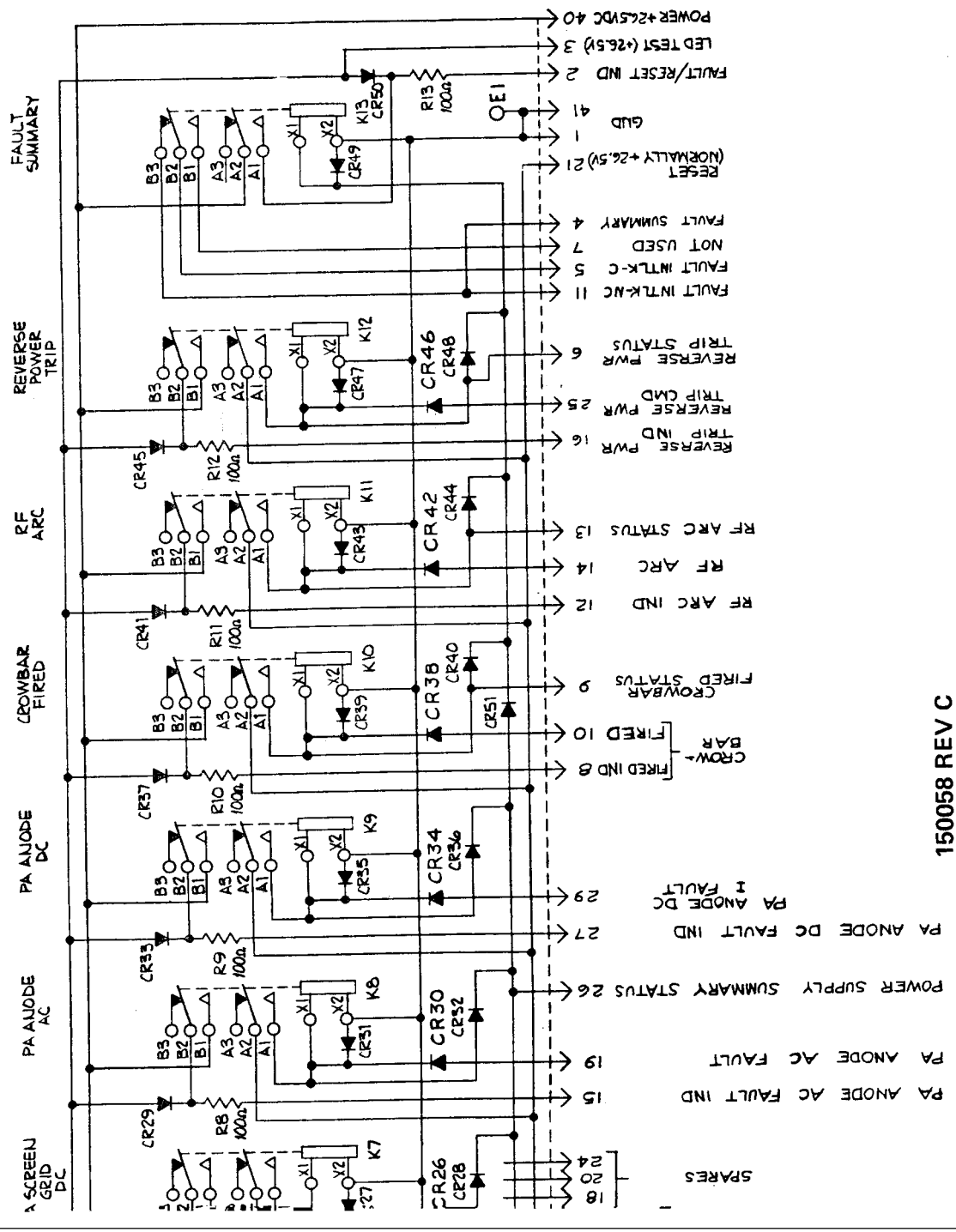


150059 REV D

FIGURE 1-12. Wate

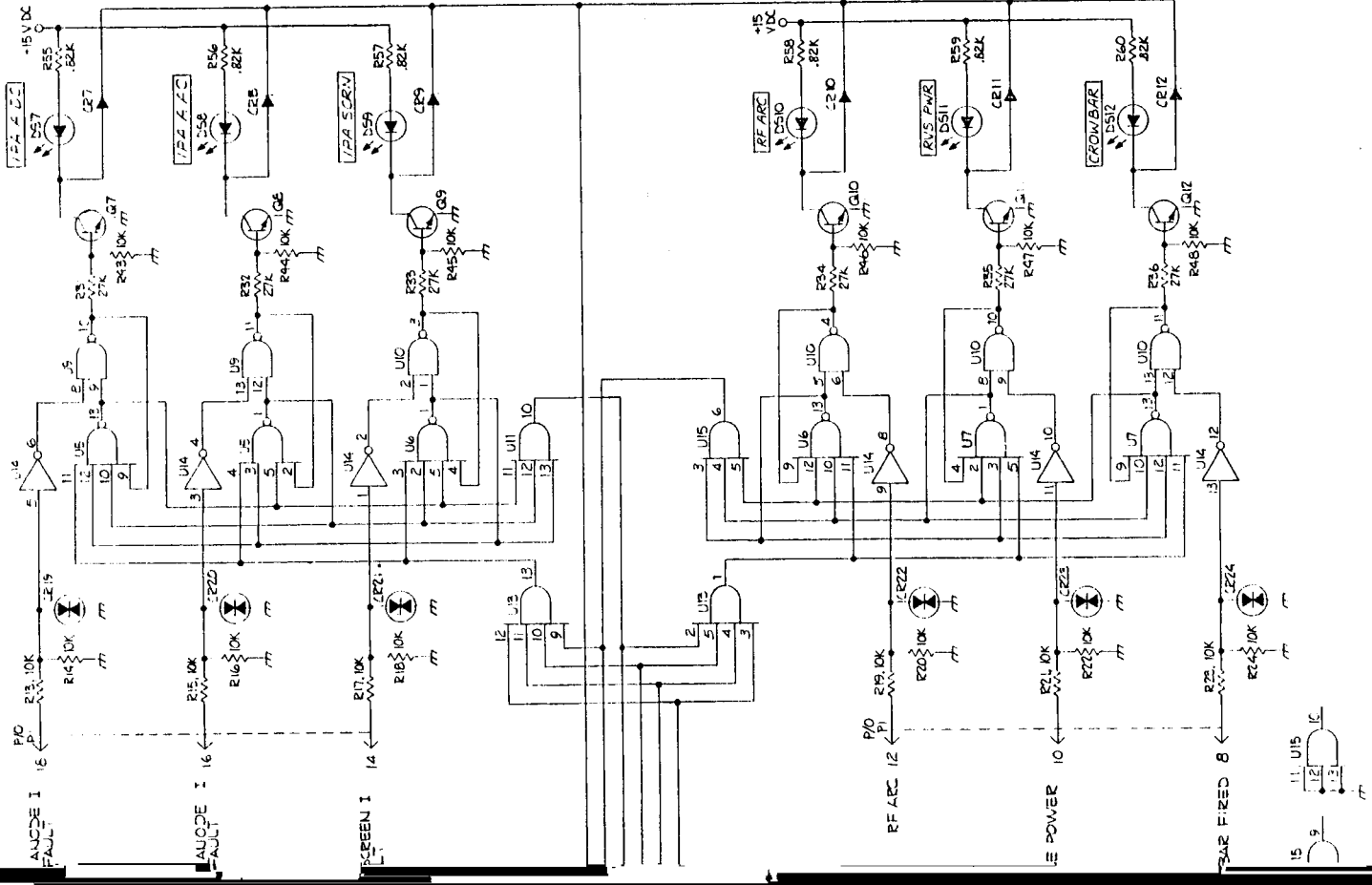
Card 1A1A10

1/1-62 blank)



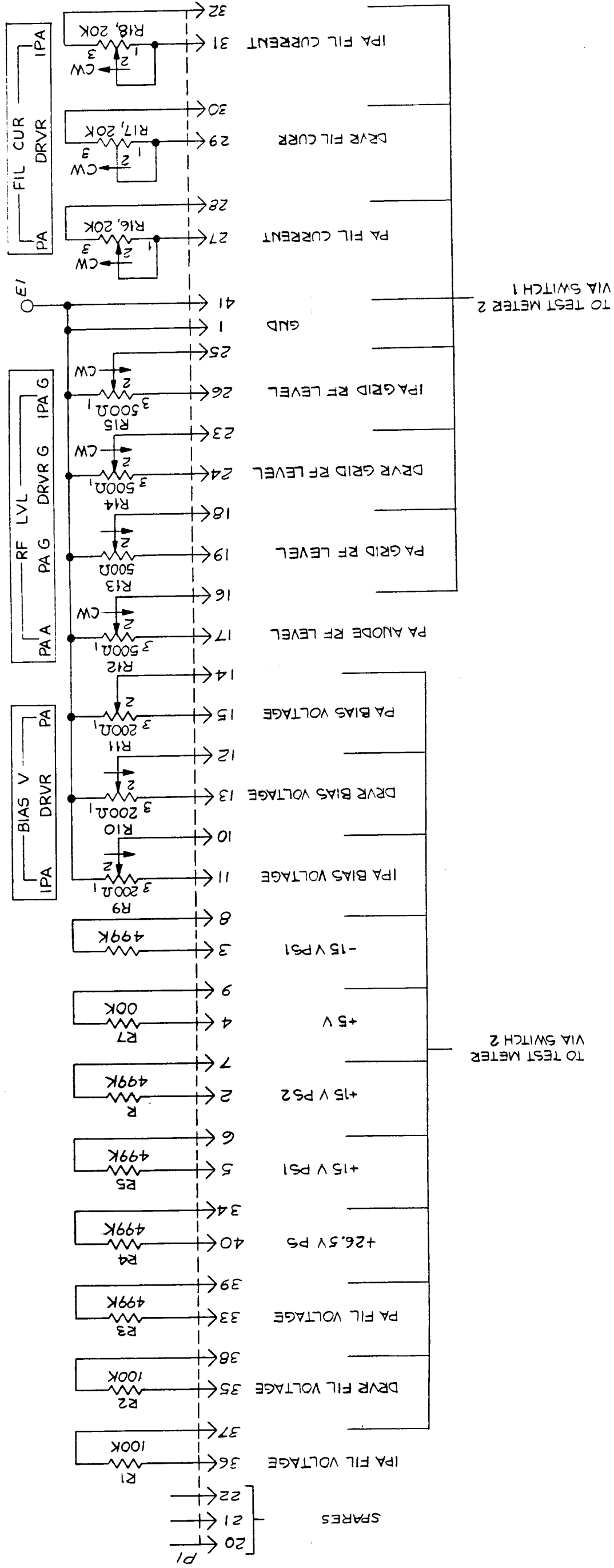
150058 REV C

FIGURE 1-13. Fault Overload Card 1A1A11



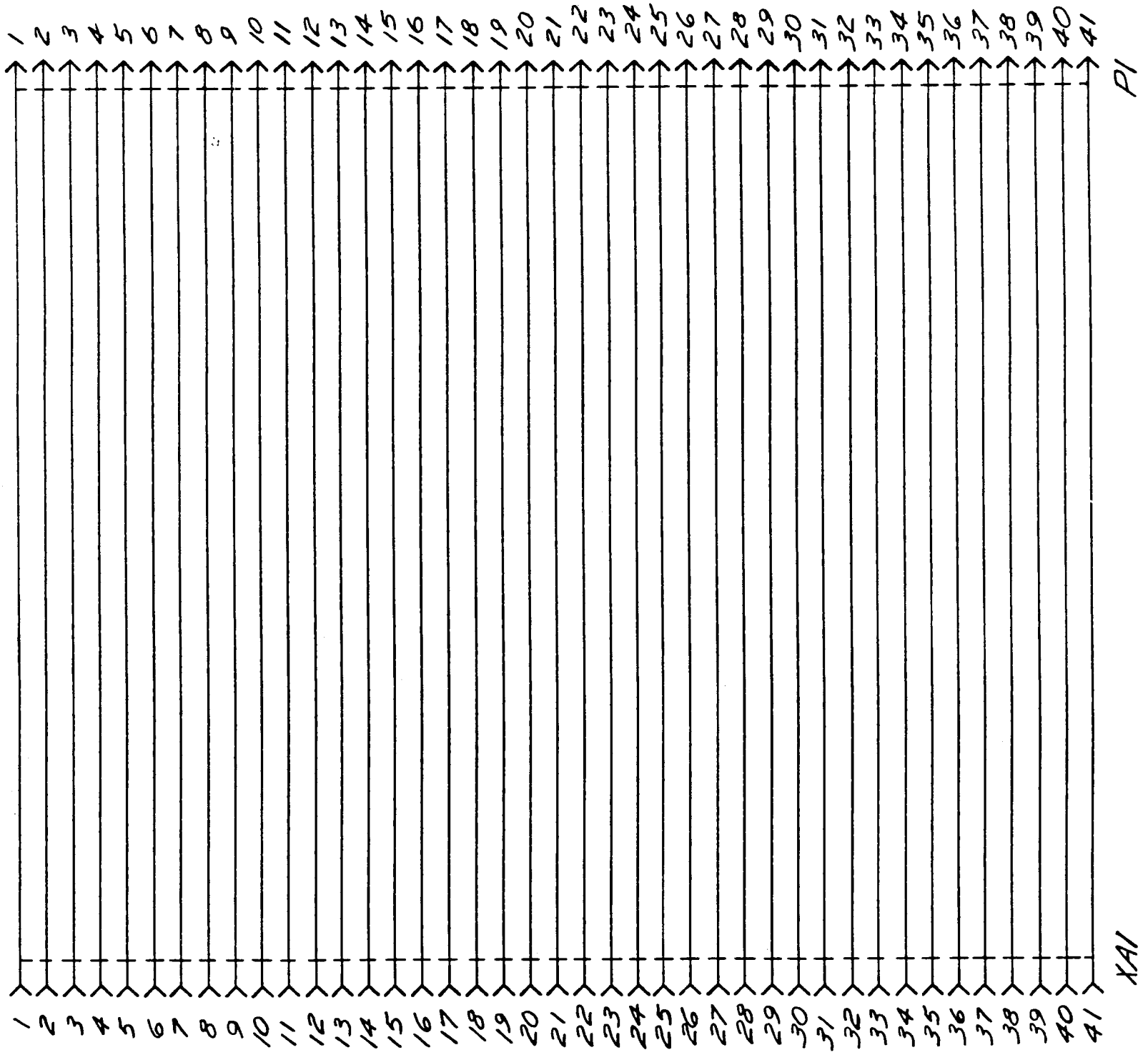
150060 REV C

FIGURE 1-14. First Event Logic Card 1A1A12



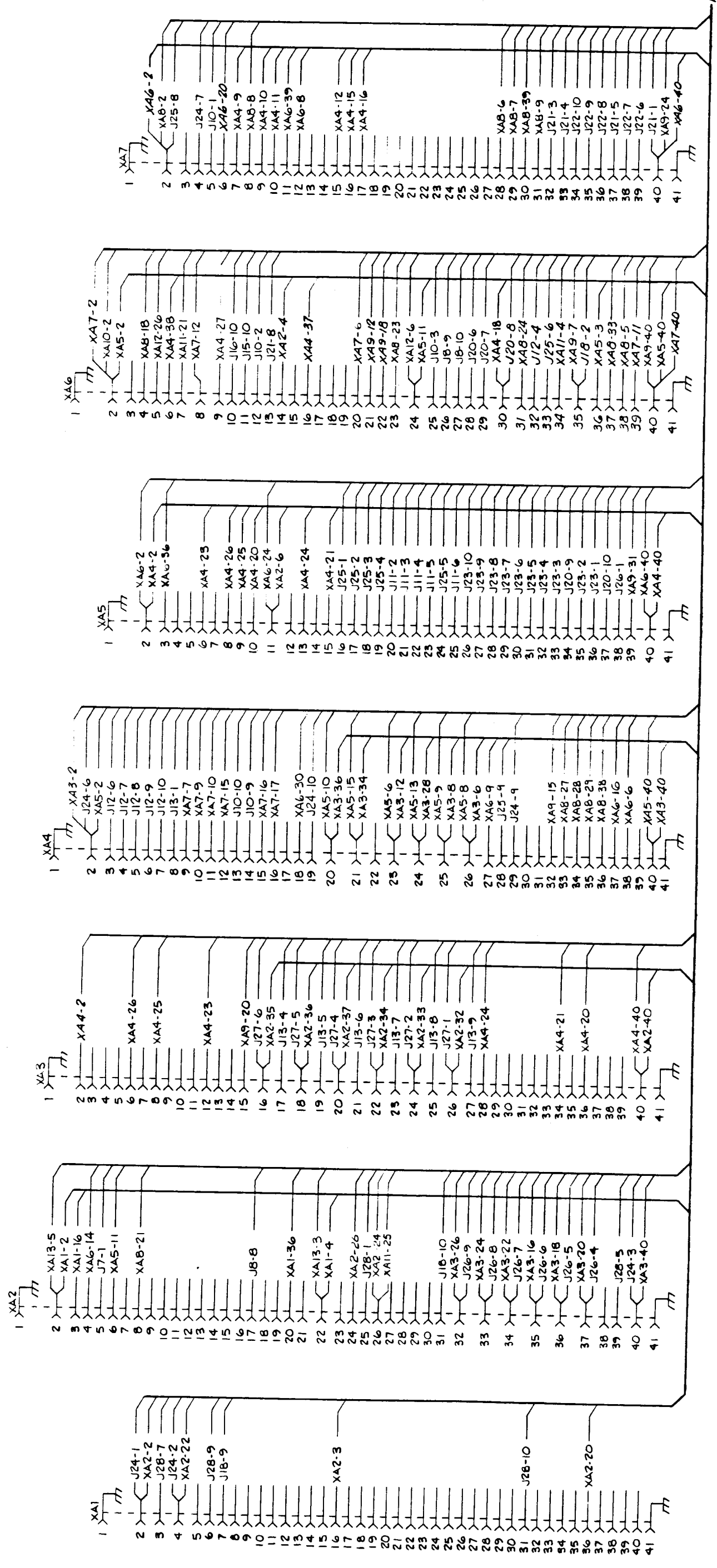
150065 REV B

FIGURE 1-15. Test Meter Scale Adjust Card 1A1A13



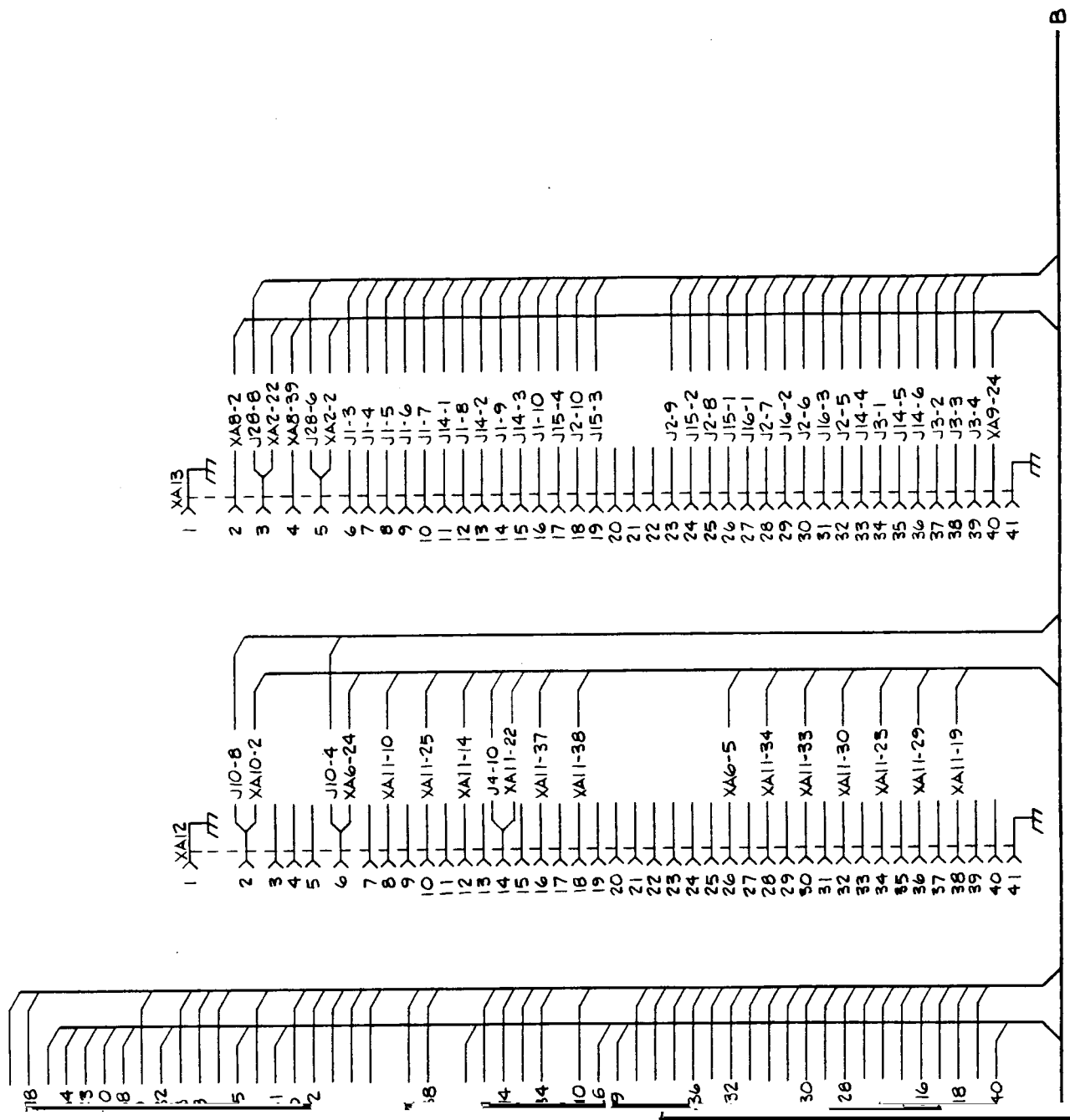
150076 REV B

FIGURE 1-16. Extender Service Card Assembly 1A1A14



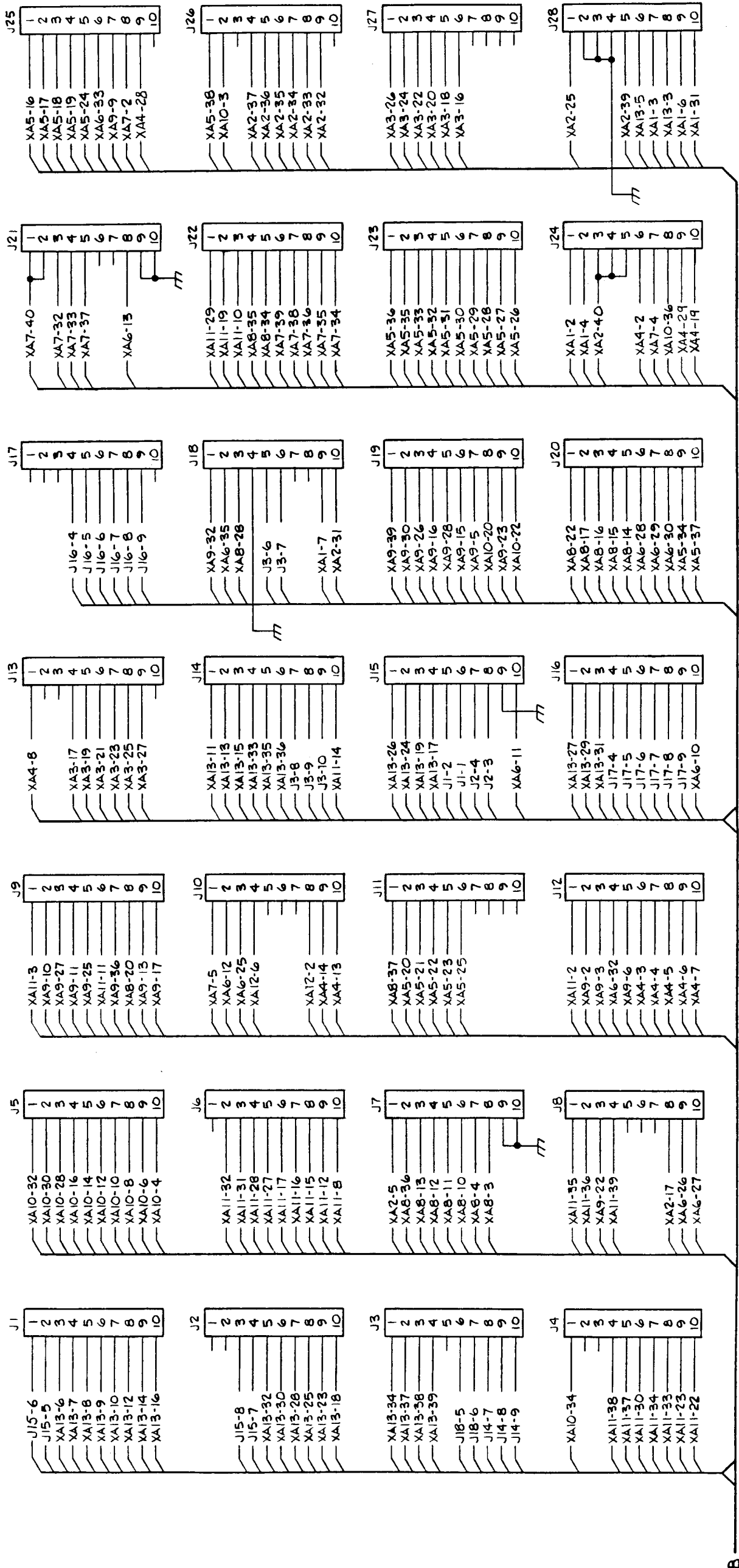
150075 REV C

FIGURE 1-17. Distribution Wire Card Assembly 1A1A18 (Sheet 1 of 3)



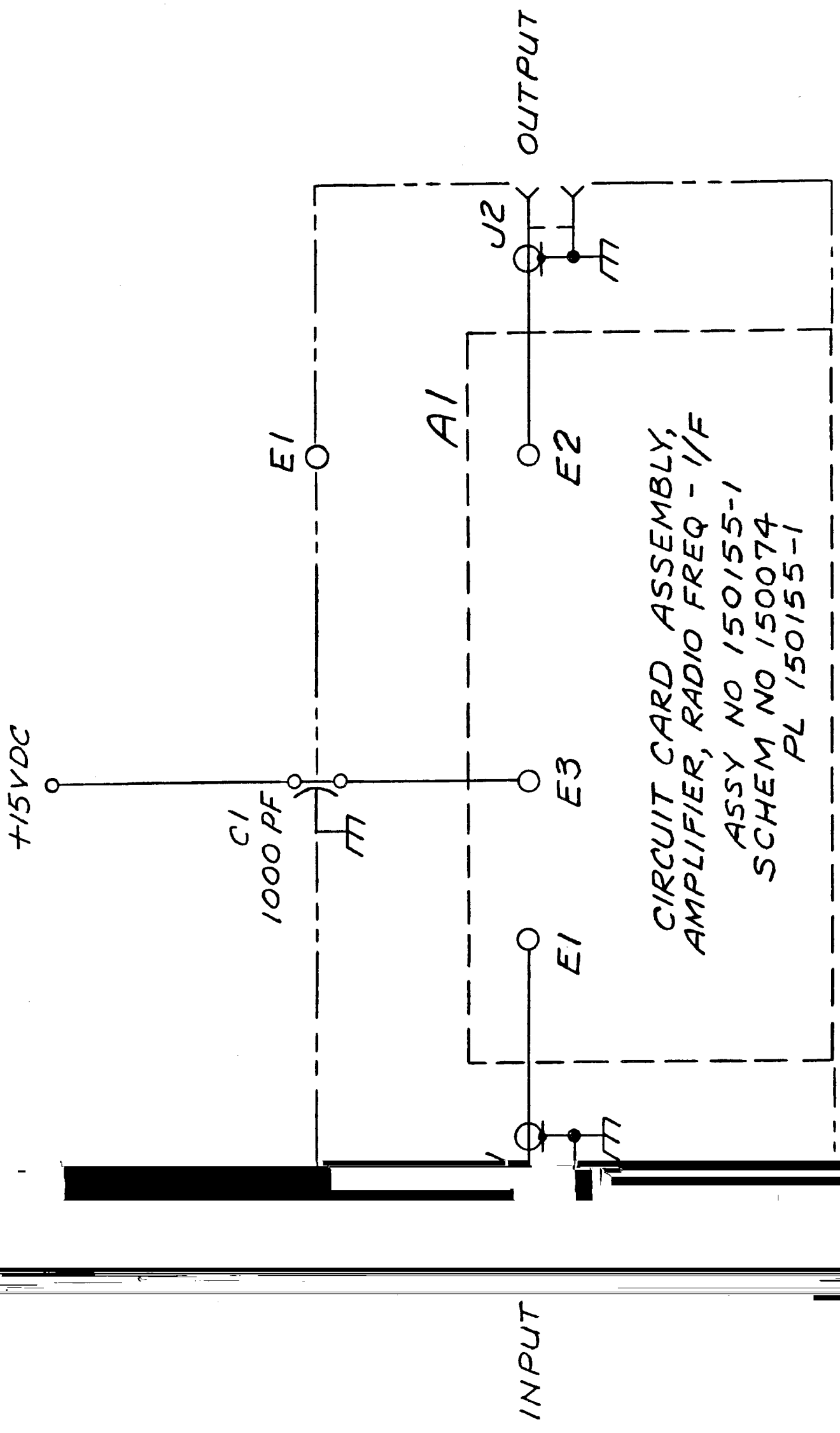
150075 REV C

FIGURE 1-17. Distribution Wire Card Assembly 1A1A18 (Sheet 2 of 3)



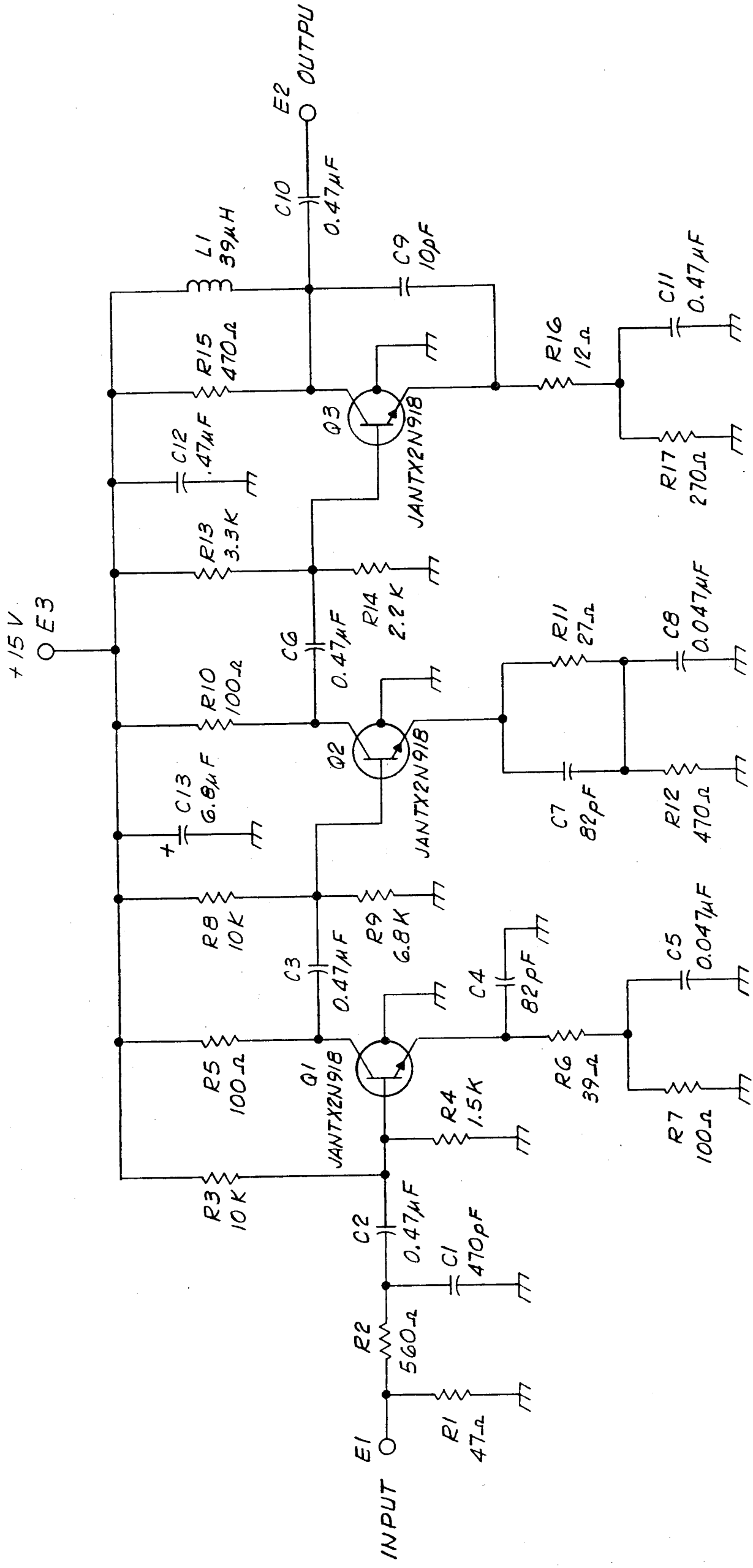
150075 REV A

FIGURE 1-17. Distribution Wire Card Assembly 1A1A18 (Sheet 3 of 3)



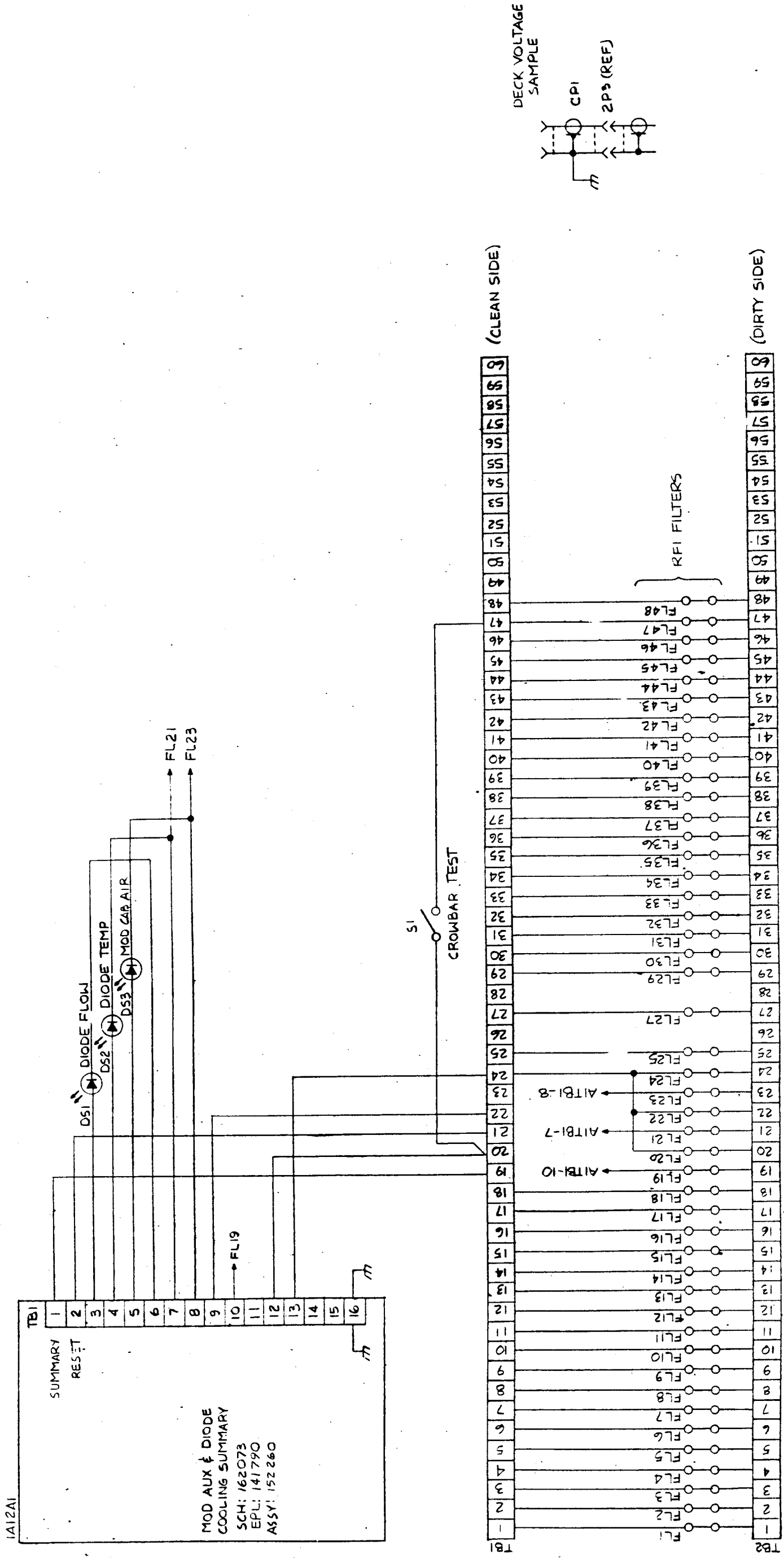
150073 REV B

FIGURE 1-18. Amplifier 1A1AR4, 1A1AR5



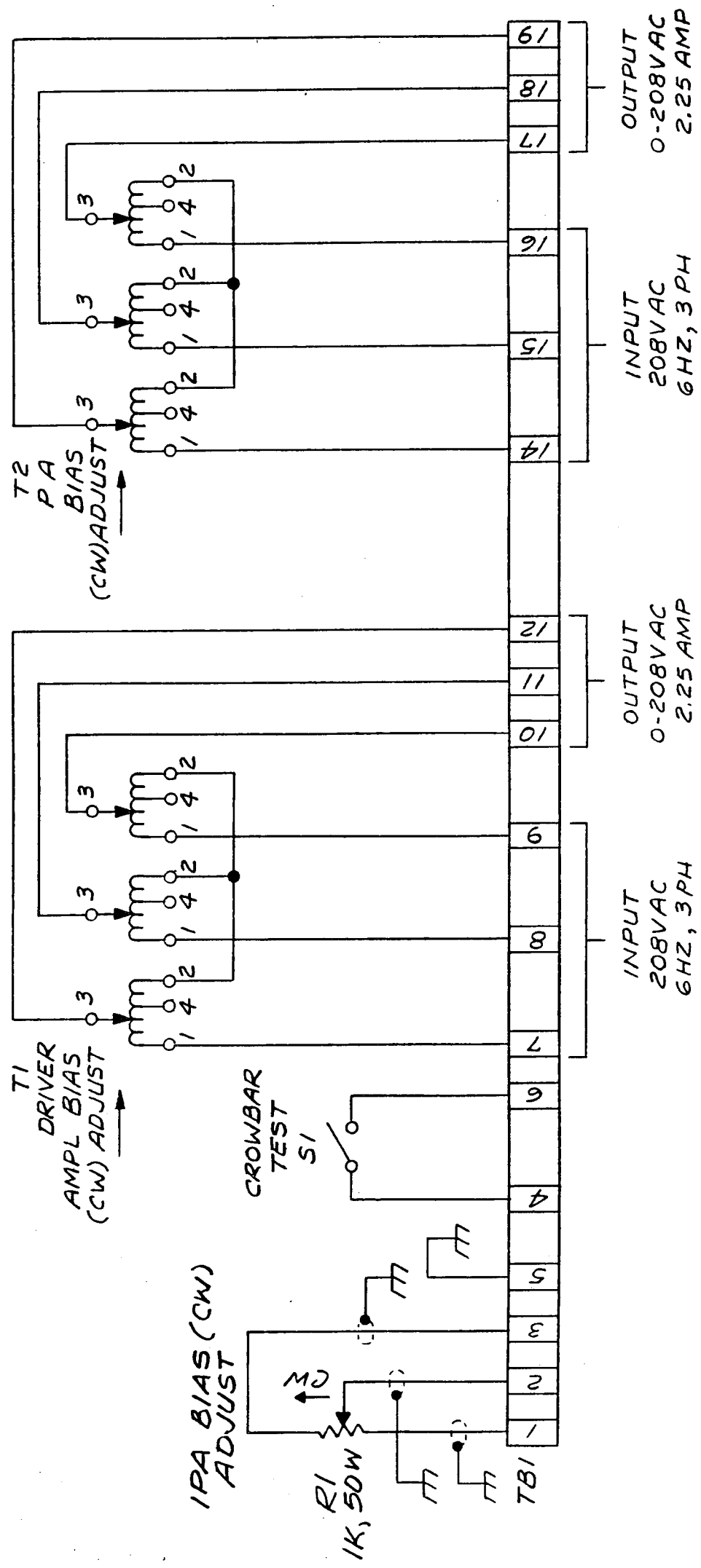
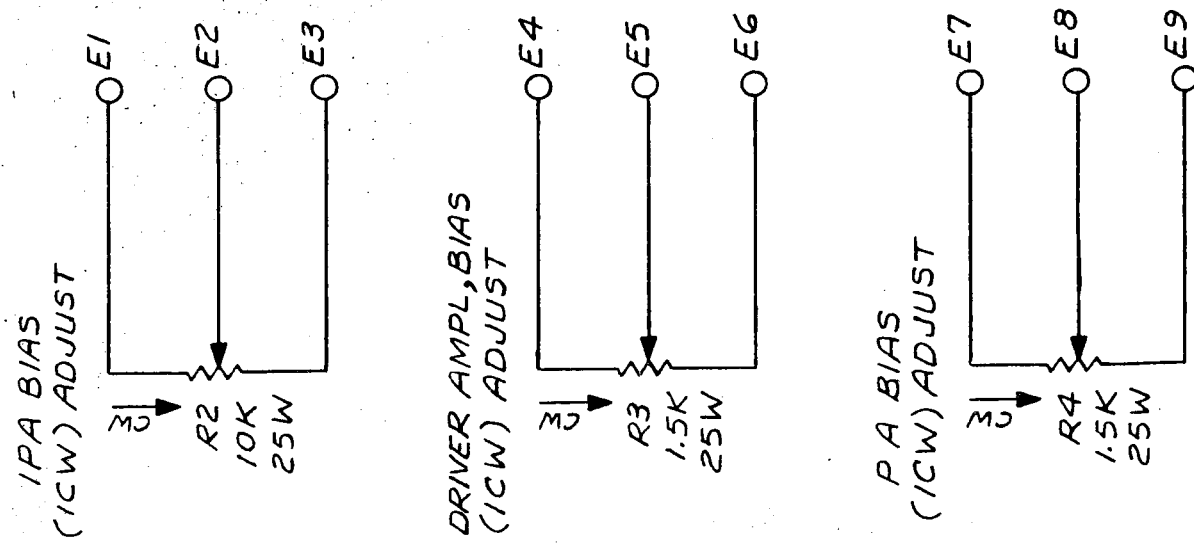
150074 REV D

FIGURE 1-19. Amplifier Card 1A1AR4A1, 1A1AR5A1



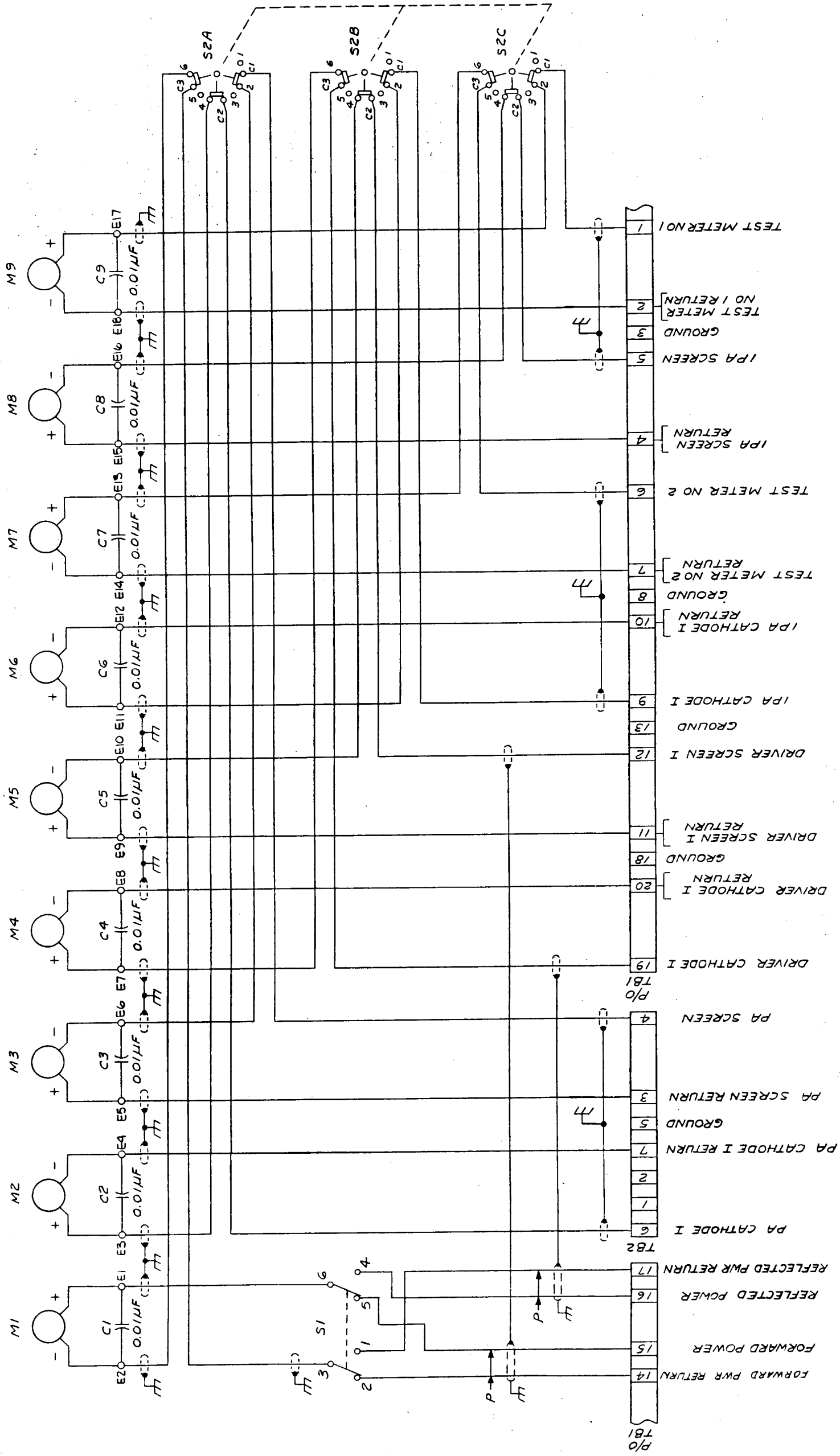
162072 REV A

FIGURE 1-20. RF Arc Sensor 1A8



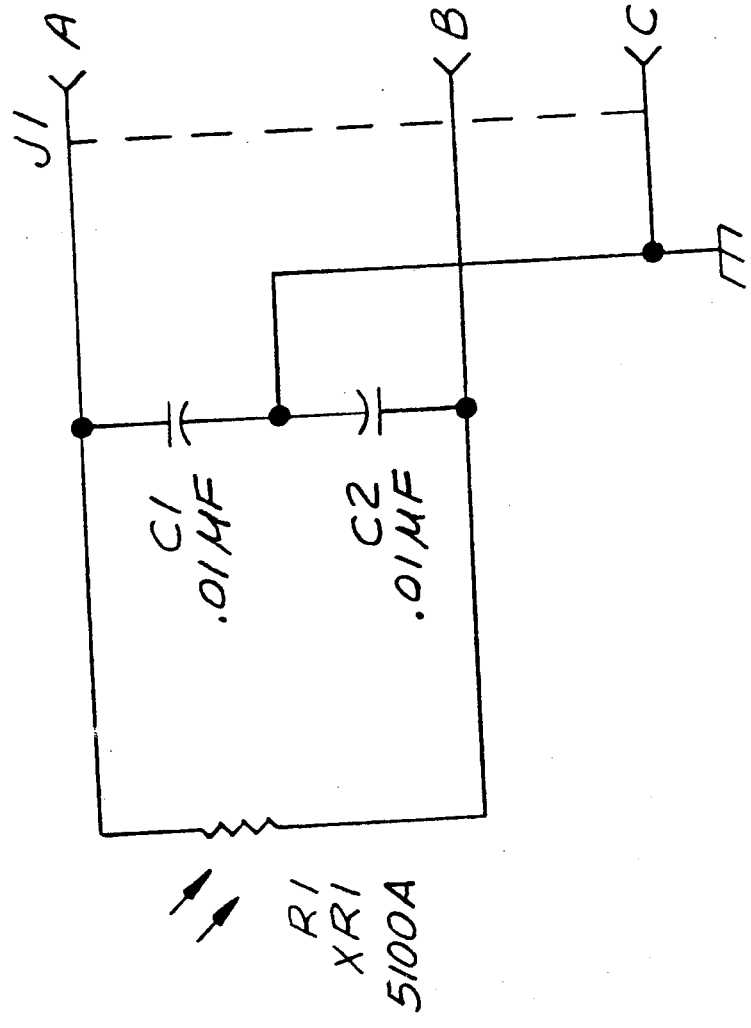
126079 REV D

FIGURE 1-21. Bias Adjust Panel 1A9



126078 REV F

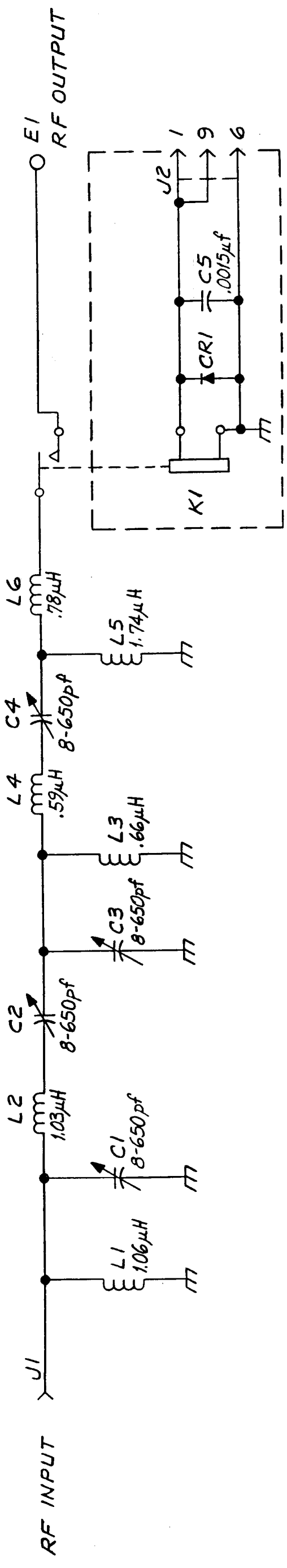
FIGURE 1-22. Meter Assembly Panel 1A13



150054 REV B

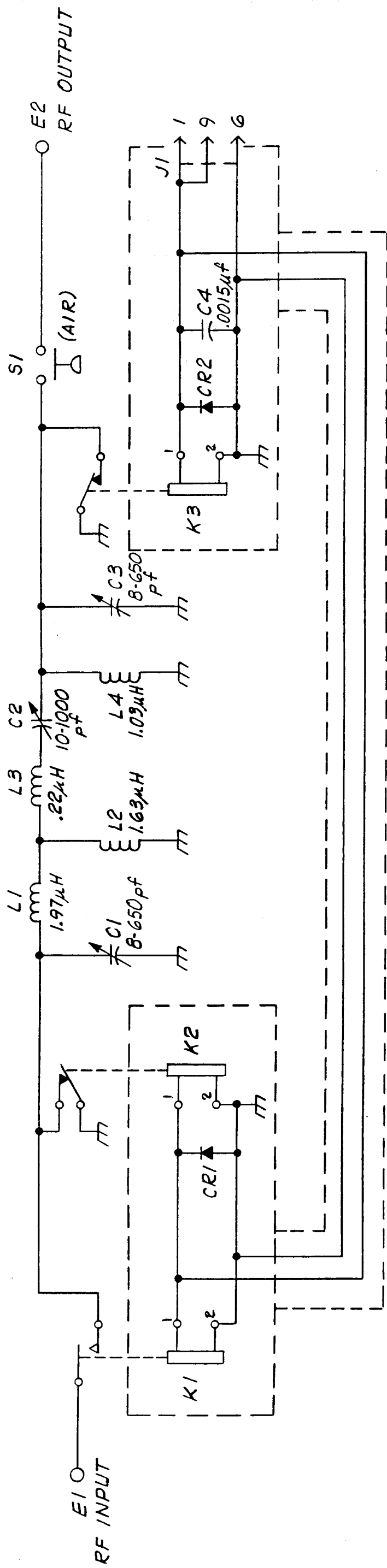
FIGURE 1-23. Arc Sensor Probe 1A14 through 1A20

1-87/(1-88 blank)



126045 REV C

FIGURE 1-24. IPA Grid Bandpass Filter 1FL1, 1FL2, 1FL3

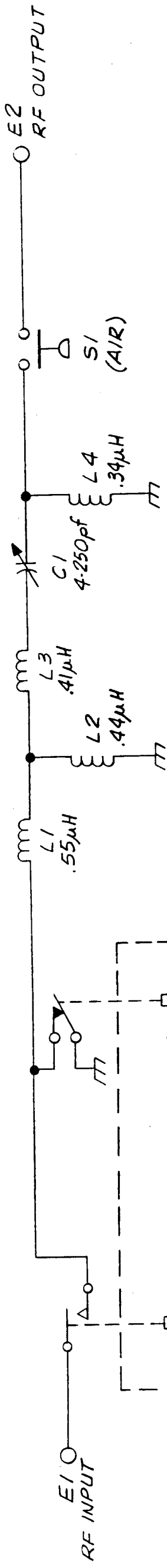


BAND ABC

126047 REV D

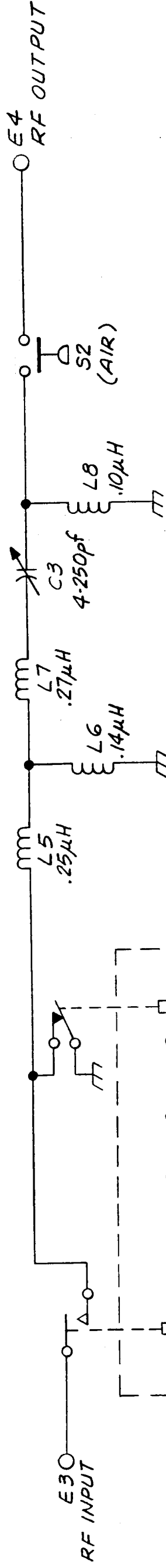
FIGURE 1-25. Driver Grid Bandpass Filter Bands A, B, C 1FL4

BAND DE



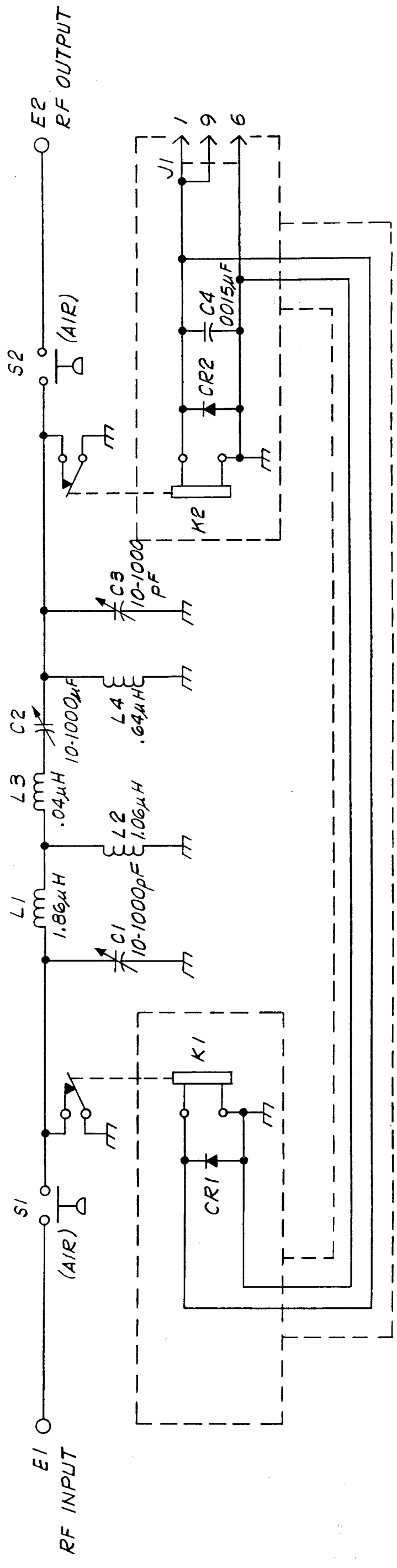
SHIELD

BAND F



150050 REV B

FIGURE 1-26. Driver Grid Bandpass Filter Bands D, E, F 1FL5

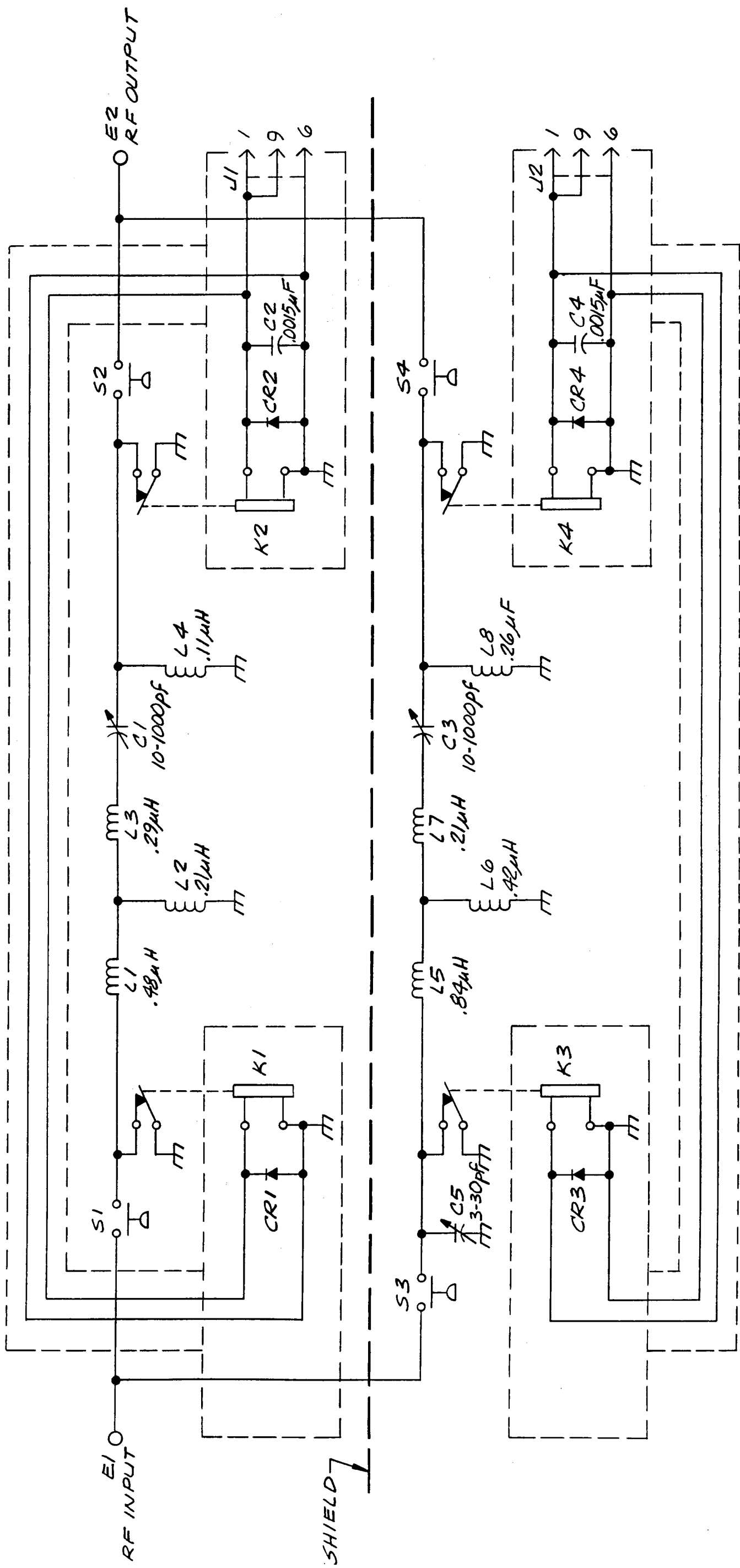


BAND AB

150051 REV B

FIGURE 1-27. PA Grid Bandpass Filter Bands A, B 1FL7

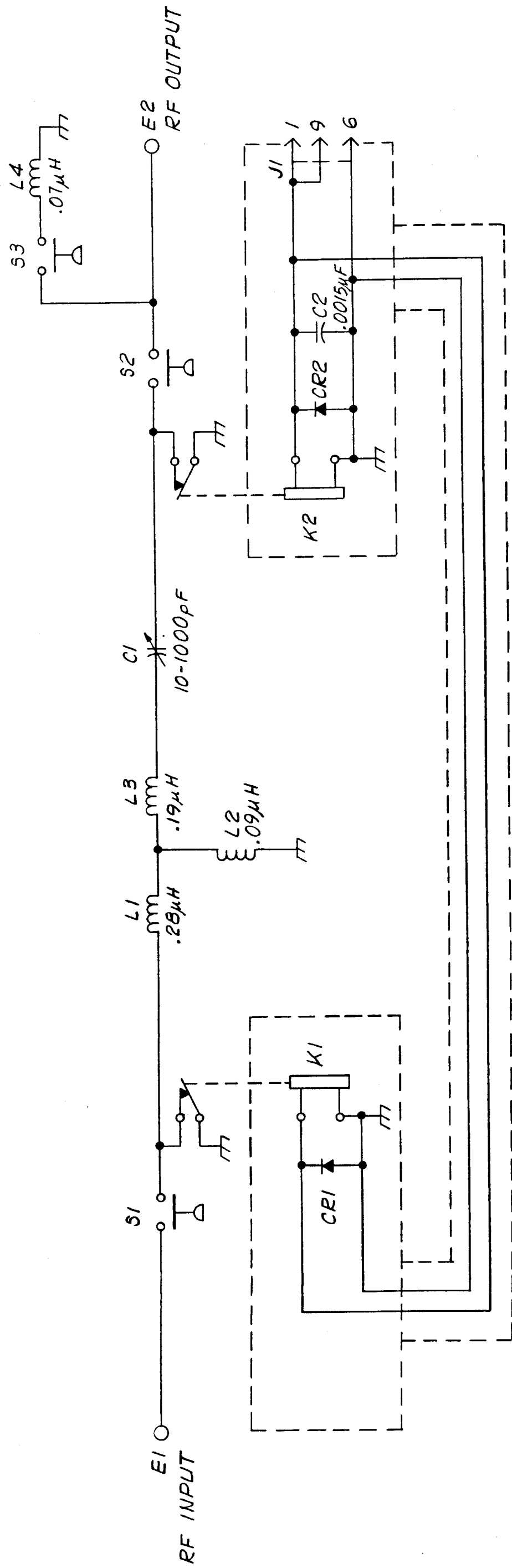
BAND E



150052 REV B

BAND CD

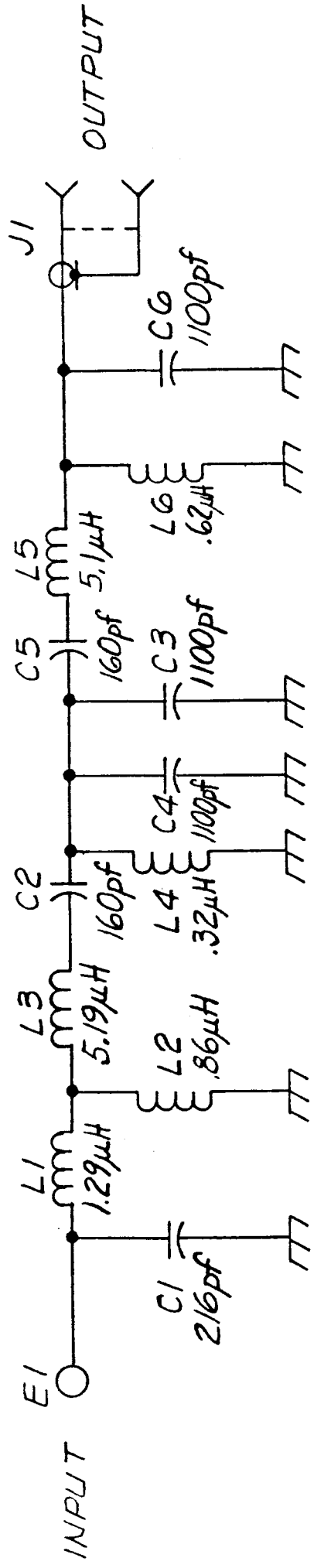
FIGURE 1-28. PA Grid Bandpass Filter Bands C,D,E, 1FL8



BAND F

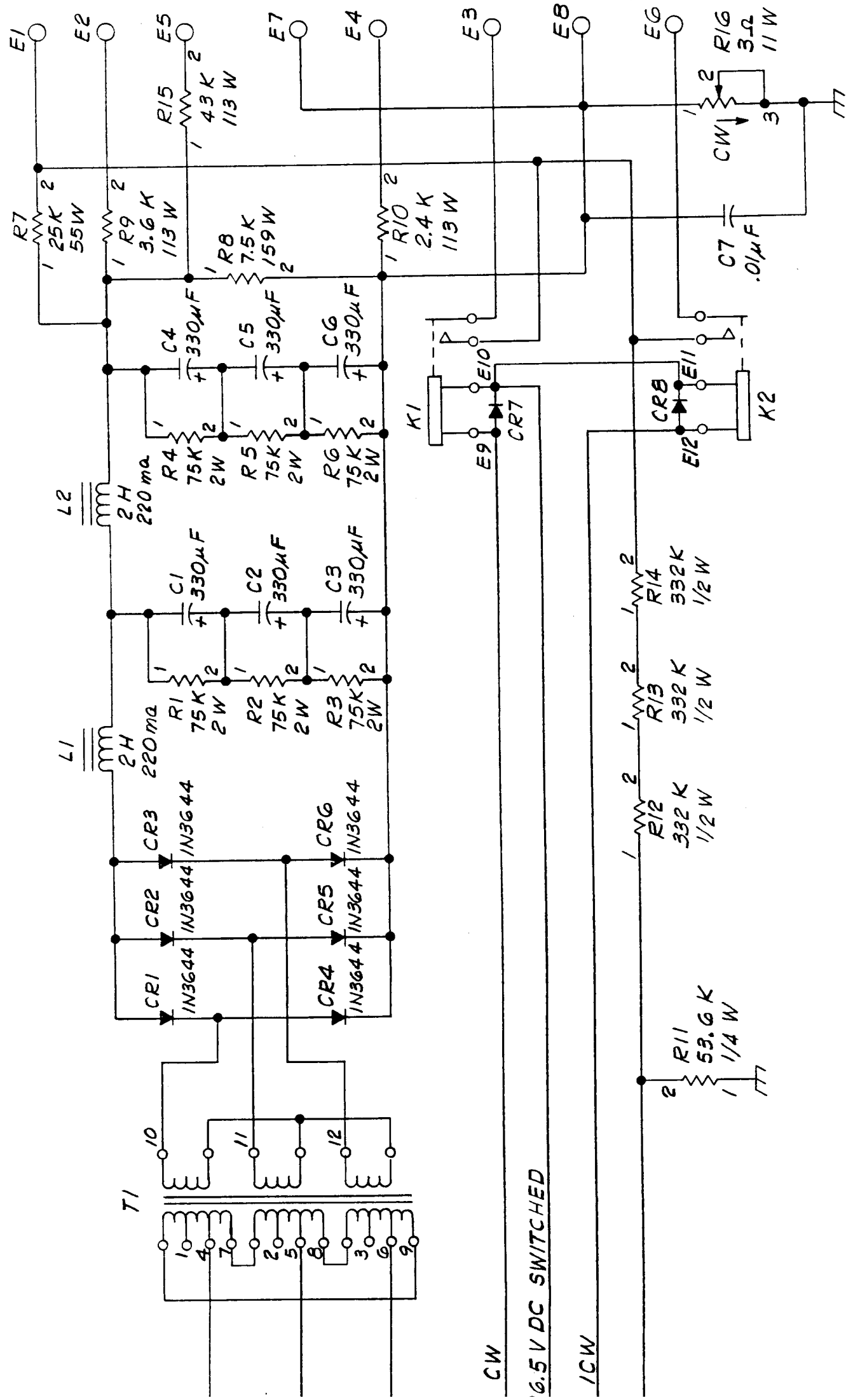
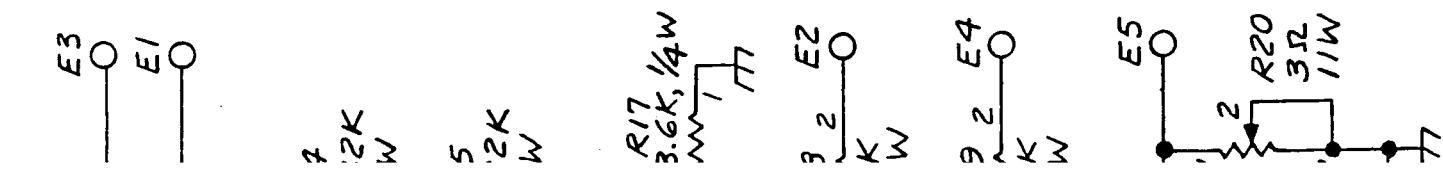
150053 REV B

FIGURE 1-29. PA Grid Bandpass Filter Band F 1FL9



126046 REV C

FIGURE 1-30. PA Output Filter 1FL10 through 1FL15



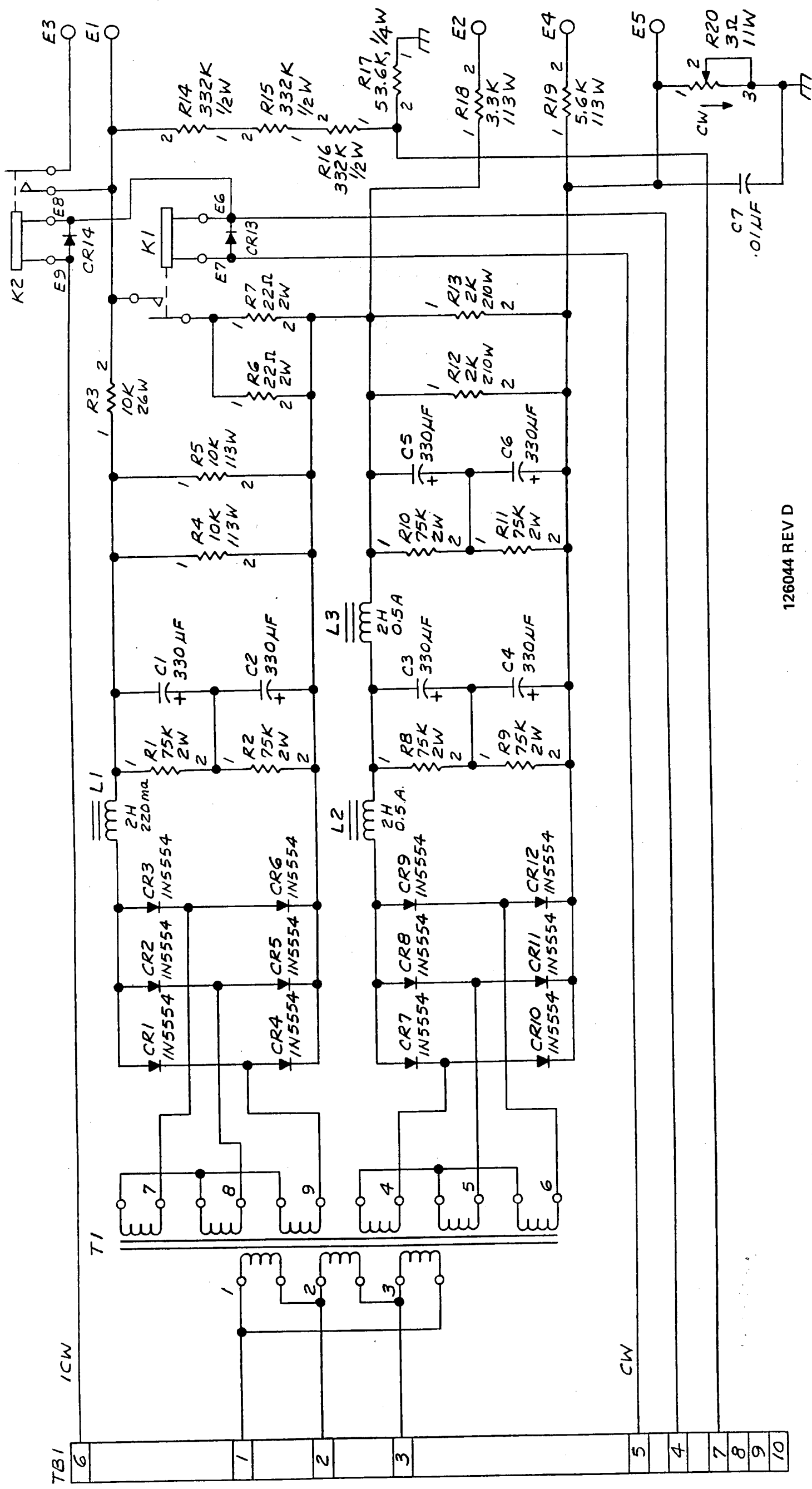
126040 REV G

FIGURE 1-31. IPA Bias Power Supply 1PS1

as Power Supply 1PS4

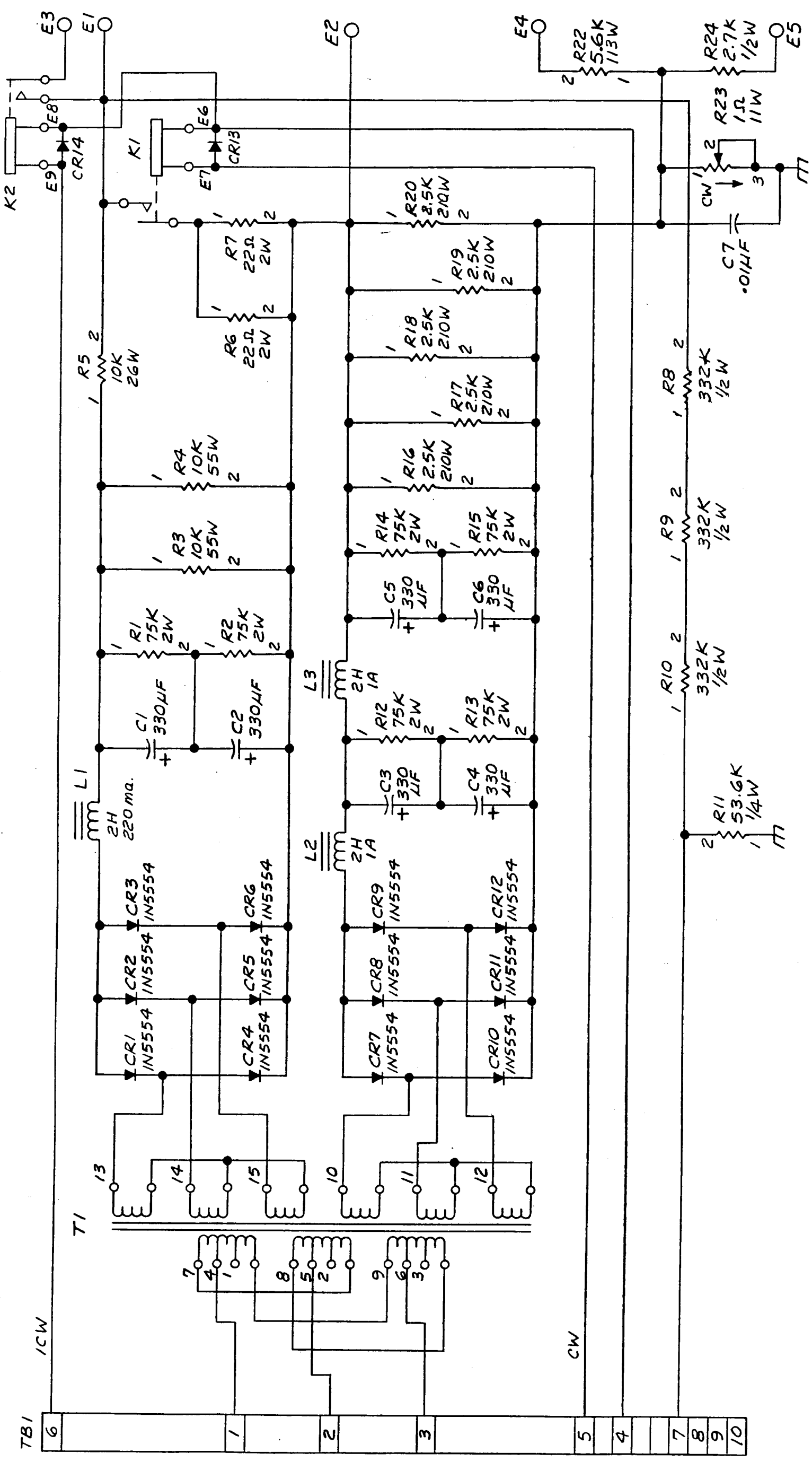
1-103/(1-104 blank)

1-105/(1-106 blank)



126044 REV D

FIGURE 1-32. Driver Amplifier Bias Power Supply 1PS4



126039 REV H

FIGURE 1-33. PA Bias Power Supply 1PS5

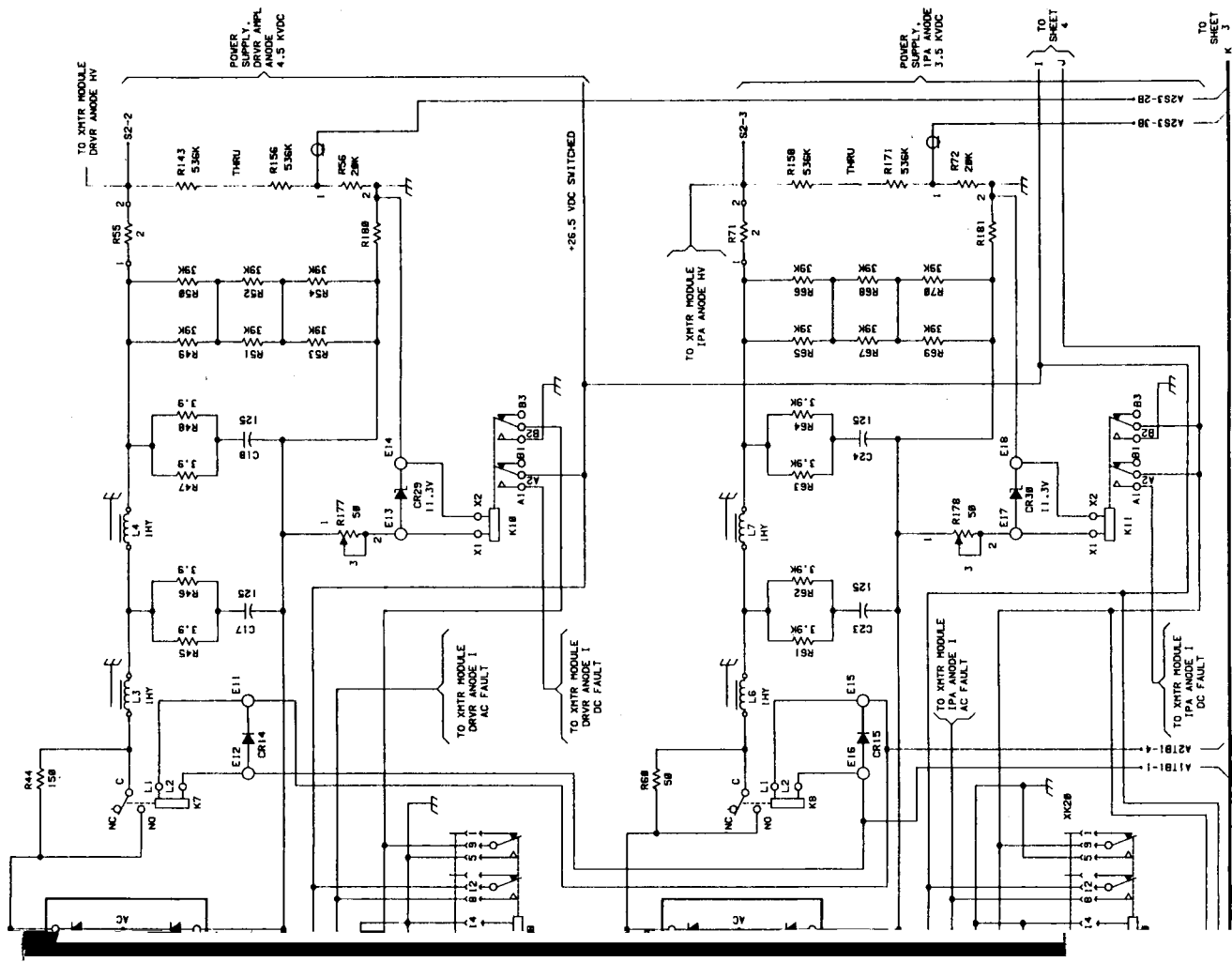
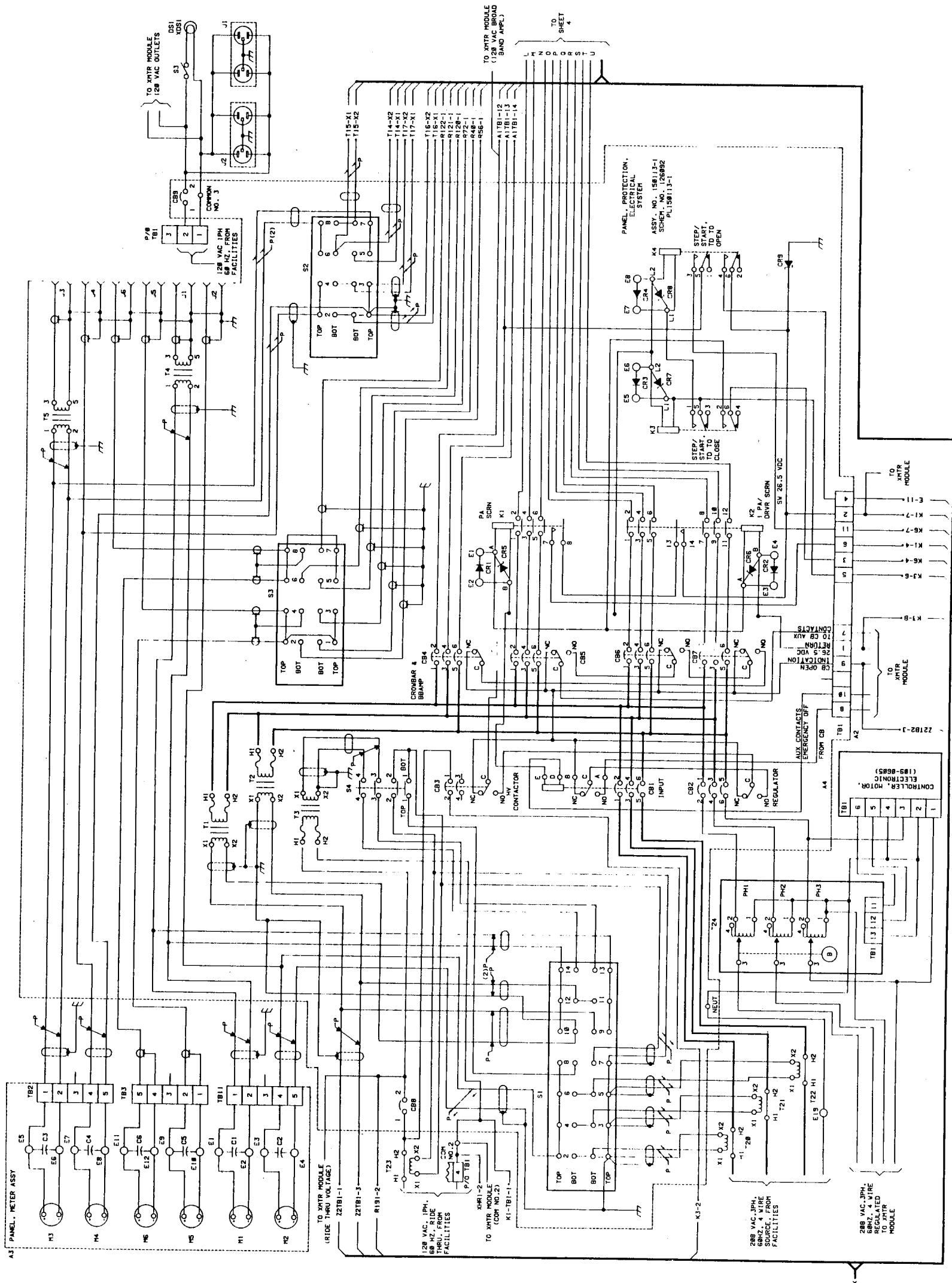
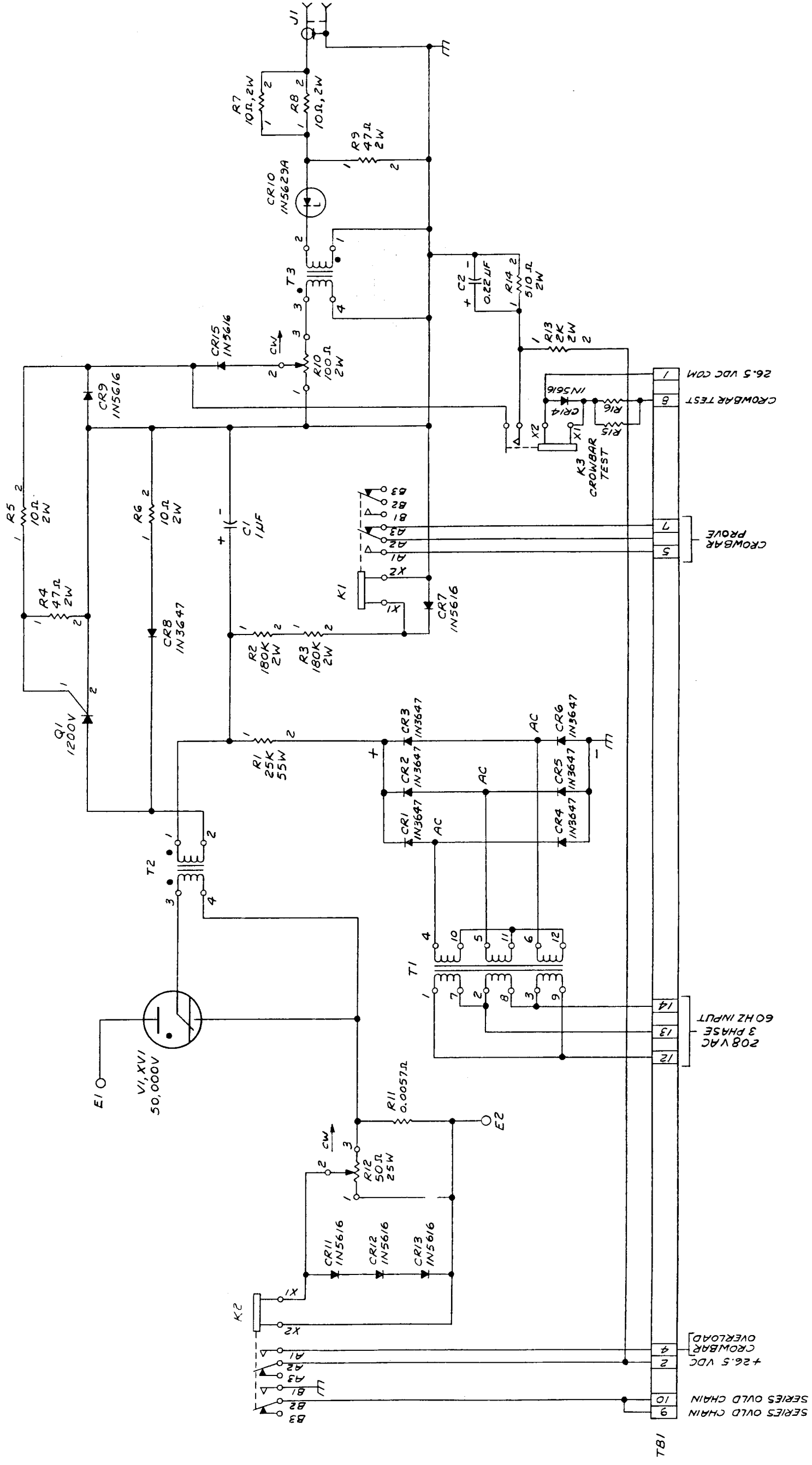


FIGURE 1-34. High Voltage Power Supply Cabinet (Sheet 2 of 4)



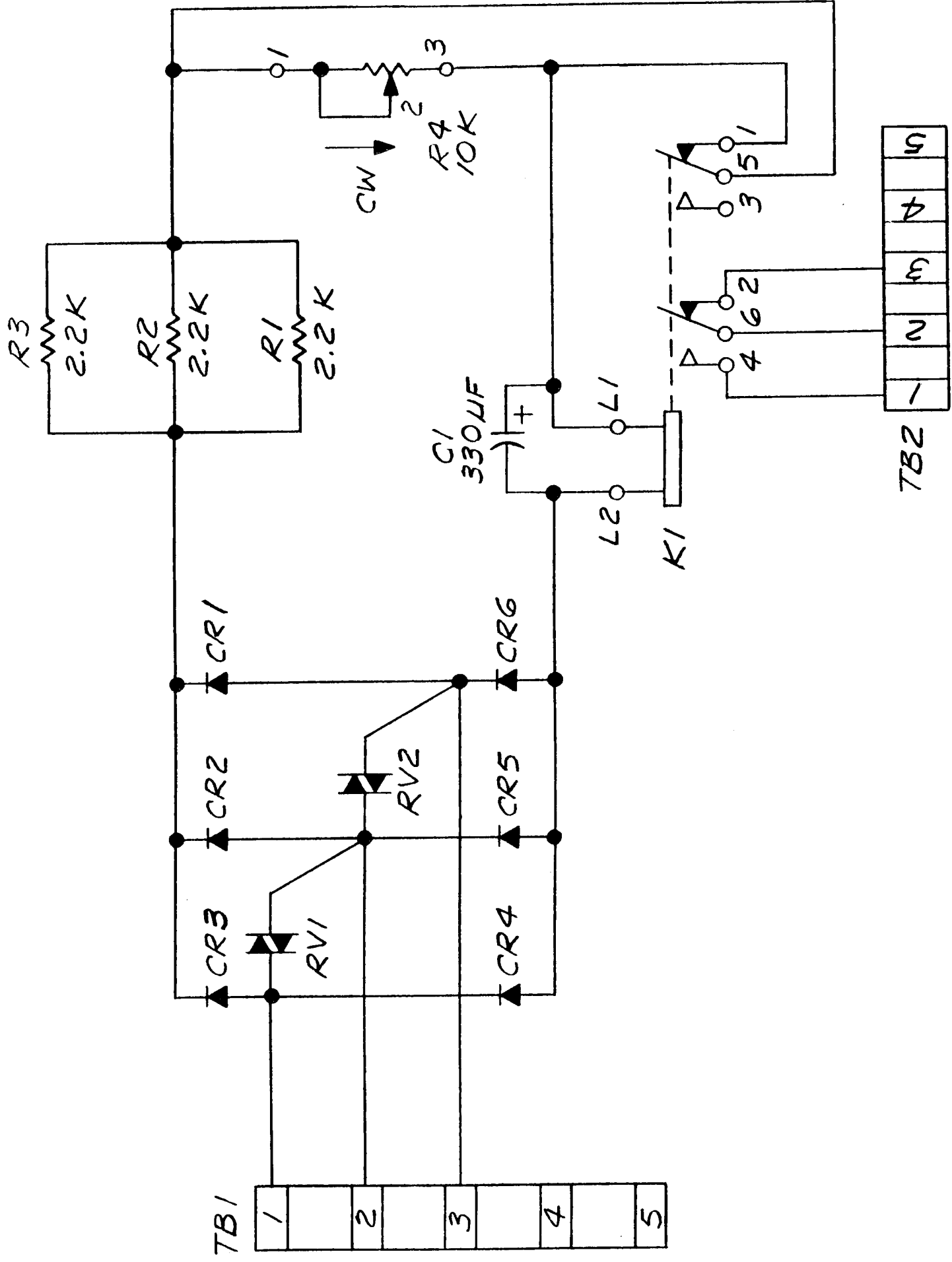
Rev AF

FIGURE 1-34. High Voltage Power Supply Cabinet (Sheet 3 of 4)



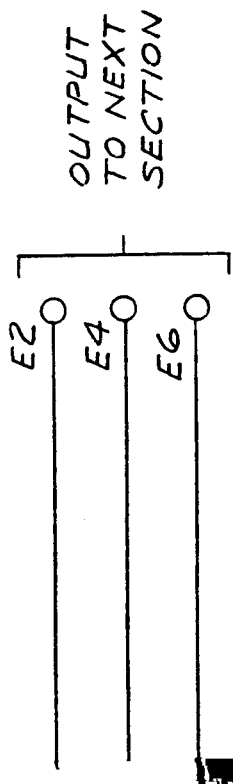
150063 REV A

FIGURE 1-35. Electronic Crowbar 2A1



149720 REV D

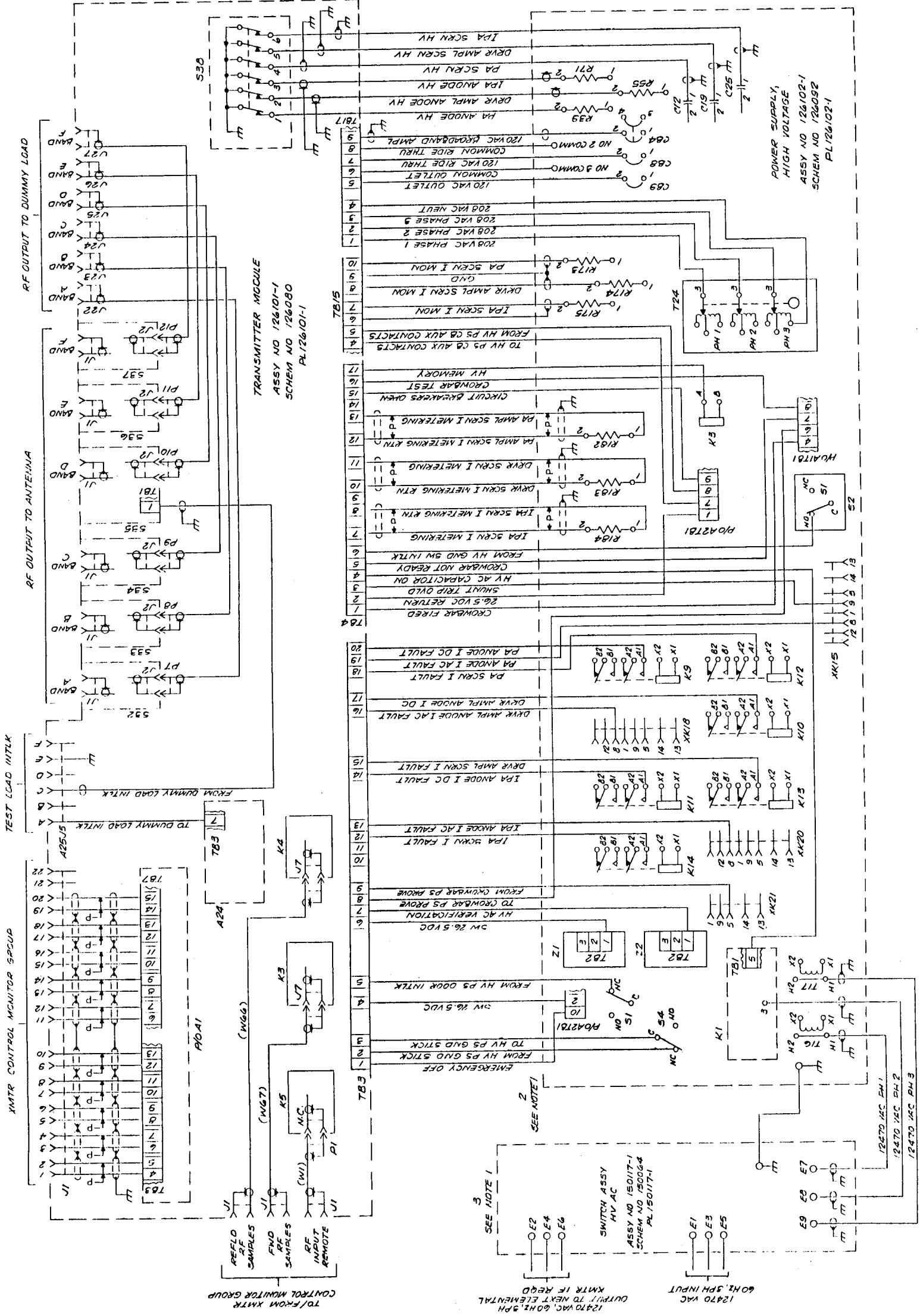
FIGURE 1-36. Phase Monitor 2Z1, 2Z2



SI

LOCKABLE
TE
E

FIGURE 1-37. High Voltage AC Switch Cabinet 3



126020 REV C

FIGURE 1-38. Elemental Transmitter Interconnections

pe Notes

Description
5, 600 volts, white, per
L-W-16878
WG, 600 volts, white, per
L-W-16878
WG, 600 volts, white, per
L-W-16878
WG, 600 volts, white, per
L-W-16878
WG, 600 volts, white, per
L-W-16878
WG, 1000 volts, white, per
L-W-16878
WG, 3000 volts, white, per
L-W-16878
WG, 3000 volts, white, per
L-W-16878
WG, 3000 volts, white, per
L-W-16878
WG, 3000 volts, white, per
L-W-16878
WG, 3000 volts, white, per
L-W-16878
WG, 3000 volts, green, per
L-W-16878
WG, 3000 volts, white, per
IL-W-16878/19
WG, 3000 volts, white, per
IL-W-16878/19
AWG, 15000 volts, shielded,
per MIL-C-28861
WG, 600 volts, white,
ielded, per MIL-C-27072
WG, 600 volts, white,
ielded, per MIL-C-27072
WG, 600 volts, white,
ielded, per MIL-C-27072
WG, 600 volts, white,
ielded, per MIL-C-27072
WG, 3000 volts, white,
ielded, per MIL-C-27072
WG, 3000 volts, white,
ielded, per MIL-C-27072

Table 2-1. Wire Type Notes - CONT

Age	Part No.	Description
349	M27072/103-H9	18 AWG, 3000 volts, white, shielded, per MIL-C-27072
151	149848-6	36 AWG magnet wire per Federal spec. J-W-1177/4-T2-36AWG
151	580-0744	2/0 AWG, 1000 volts, black, diesel locomotive cable
151	580-0746	4/0 AWG, 1000 volts, black, diesel locomotive cable
151	582-0008	8 AWG, 30 kv, white, silicone rubber insulation
349	EC14P9-OSP	14 AWG, 600 volts, shielded twisted pair per MIL-C-55021
349	EC16P9-OSP	16 AWG, 600 volts, shielded twisted pair per MIL-C-55021
349	EC18P9-OSP	18 AWG, 600 volts, shielded twisted pair per MIL-C-55021
349	EC20P9-OSP	20 AWG, 600 volts, shielded twisted pair per MIL-C-55021
349	EC22P9-OSP	22 AWG, 600 volts, shielded twisted pair per MIL-C-55021
348	QQW343S10S1T	10 AWG, uninsulated bus wire per Federal spec. QQ-W-343
348	QQW343S12S1T	12 AWG, uninsulated bus wire per Federal spec. QQ-W-343
348	QQW343S14S1T	14 AWG, uninsulated bus wire per Federal spec. QQ-W-343
348	QQW343S16S1T	16 AWG, uninsulated bus wire per Federal spec. QQ-W-343
348	QQW343S18S1T	18 AWG, uninsulated bus wire per Federal spec. QQ-W-343
348	QQW343S20S1T	20 AWG, uninsulated bus wire per Federal spec. QQ-W-343
348	QQW343S22S1T	22 AWG, uninsulated bus wire per Federal spec. QQ-W-343
348	QQW343S24S1T	24 AWG, uninsulated bus wire per Federal spec. QQ-W-343
348	QQB575F36T500	0.625 inch flat braid per Federal spec. QQ-B-575
348	QQB575F36T781	0.750 inch flat braid per Federal spec. QQ-B-575
2151	583-0059	1.00 inch flat braid
1349	M17/75-RG-214	Coaxial cable, 50 ohms
1349	M17/84-RG-223	Coaxial cable, 50 ohms
1349	M17/103-RG-316	Coaxial cable, 50 ohms

2-1. Wire Type Notes - CONT

: No.	Description
762	14 AWG, 20 kv, white
3/17BEB9	24 AWG, 600 volts, white, per MIL-W-16878
3/4BFA9	22 AWG, 600 volts, white, per MIL-W-16878
3/4BEA9	24 AWG, 600 volts, white, per MIL-W-16878
056	0.5 inch flat braid
053	0.375 inch flat braid
8/17BCE9	28 AWG, 600 volts, white, per MIL-W-16878
8/18BLE9	12 AWG, 1000 volts, white, per MIL-W-16878
009	14 AWG, 18 kvac, 60 kvdc, black

Table 2-2. Terminal Notes

Term Note	Cage	Part Number	Type	Color	Stud Size (Inch)	Wire (AWG)
01	52151	520-0994	Spade	Red	0.138	22-16
02	52151	520-0989	Spade	Red	0.086	22-16
03	96906	MS25036-151	Ring	Red	0.5	22-18
04	96906	MS25036-150	Ring	Red	0.25	22-18
05	96906	MS25036-103	Ring	Red	0.19	22-18
06	96906	MS25036-146	Ring	Red	0.164	22-18
07	96906	MS25036-102	Ring	Red	0.138	22-18
08	96906	MS25036-101	Ring	Red	0.19	22-18
09	96906	MS25036-148	Ring	Red	0.112	22-18
10	52151	520-1002	Spade	Blue	0.138	16-14
11	96906	MS25036-155	Ring	Blue	0.5	16-14
12	96906	MS25036-154	Ring	Blue	0.25	16-14
13	96906	MS25036-108	Ring	Blue	0.19	16-14
14	96906	MS25036-153	Ring	Blue	0.164	16-14
15	96906	MS25036-107	Ring	Blue	0.138	16-14
16	96906	MS25036-112	Ring	Yellow	0.19	12-10
17	52151	520-1012	Spade	Yellow	0.138	12-10
18	96906	MS25036-157	Ring	Yellow	0.25	12-10
19	96906	MS25036-156	Ring	Yellow	0.164	12-10
20	96906	MS25036-111	Ring	Yellow	0.138	12-10
21	96906	MS20659-136	Ring	NA	0.5	2/0
22	96906	MS20659-120	Ring	NA	0.375	2/0
23	96906	MS20659-119	Ring	NA	0.312	2/0
24	96906	MS20659-153	Ring	NA	0.25	2/0
25	96906	MS20659-124	Ring	NA	0.5	4/0
26	96906	MS20659-123	Ring	NA	0.375	4/0
27	96906	MS20659-157	Ring	NA	0.312	4/0
28	96906	MS20659-130	Ring	NA	0.19	6
29	96906	MS20659-107	Ring	NA	0.19	8
30	96906	MS20659-105	Ring	NA	0.19	12-10
31	96906	MS20659-102	Ring	NA	0.19	22-18
32	96906	MS20659-140	Ring	NA	0.164	8
33	52151	520-0509	Ring	NA	0.164	12-10
34	96906	MS25036-104	Ring	Red	0.312	22-18
35	96906	MS20659-141	Ring	NA	0.25	8
36	96906	MS20659-134	Ring	NA	0.5	1
37	96906	MS20659-104	Ring	NA	0.19	16-14
38	52151	520-0503	Ring	NA	0.164	16-14
39	96906	MS20659-142	Ring	NA	0.5	8
40	52151	520-0998	Spade	Red	0.164	22-16
41	52151	520-1005	Spade	Blue	0.164	16-14

Table 2-2. Terminal Notes - CONT

Term Note	Cage	Part Number	Type	Color	Stud Size (Inch)	Wire (AWG)
42	52151	520-0515	Ring	NA	0.164	22-16
43	96906	MS20659-163	Ring	NA	0.312	16-14
44	96906	MS20659-161	Ring	NA	0.312	22-18
45	96906	MS20659-106	Ring	NA	0.312	12-10
46	96906	MS20659-108	Ring	NA	0.312	8
47	96906	MS20659-164	Ring	NA	0.5	16-14
48	96906	MS20659-143	Ring	NA	0.5	6
49	96906	MS20659-109	Ring	NA	0.25	6
50	96906	MS20659-158	Ring	Yellow	0.5	12-10
51	52151	520-1016	Spade	Yellow	0.19	12-10
52	96906	MS25036-106	Ring	Blue	0.138	16-14
53	96906	MS20659-101	Ring	NA	0.138	22-18
54	52151	520-1013	Spade	Yellow	0.164	12-10
55	52151	520-0506	Ring	NA	0.25	12-10
56	96906	MS35431-9	Ring	NA	0.25	NA
57	00779	320749	Spade	NA	0.138	22-16
58	96906	MS20659-129	Ring	NA	0.375	8

Table 2-3. General Notes

Note	Cage	Part No./Description
A	52151	149847-3 Insulation sleeving, 0.208; ID 1.25 ± 0.12 inches long with wire number marked on both ends
B	52151	149847-4 Insulation sleeving, 0.25; ID 1.25 ± 0.12 inches long with wire number marked on both ends
C	52151	149847-5 Insulation sleeving, 0.375; ID 1.50 ± 0.25 inches long with wire number marked on both ends
D	52151	149847-6 Insulation sleeving, 0.5; ID 1.50 ± 0.25 inches long with wire number marked on both ends
E	52151	149847-7 Insulation sleeving, 0.75; ID 1.25 ± 0.25 inches long with wire number marked on both ends
F	52151	149847-8 Insulation sleeving, 1.0; ID 2.0 ± 0.25 inches long with wire number marked on both ends
G		Shield ground connection to be 0.375 maximum from shield to ground terminal lug
H		Shield ground connection to be 1.5 ± 0.25 inch from shield to ground terminal lug
J		Solder terminal connection per MIL-STD-454, Req. 5
K		Solder or crimp socket; Install contacts and sealing plugs in connectors per MIL-STD-454, Req. 10
L		Terminal numbers assigned for wiring purposes only and do not appear on terminals
M		Wire type numbers assigned for wiring purposes only and do not appear on wires
N		Use appropriate item number from assembly parts list. Example: N15 means item number 15 from assembly parts list.
P		Sleeving per ASTM D-3295, type I, class A, size 10 AWG
R		Sleeving per ASTM D-3295, type I, class A, size 12 AWG
T		Sleeving per ASTM D-3295, type I, class A, size 14 AWG
U		Sleeving per ASTM D-3295, type I, class A, size 16 AWG
V		Sleeving per ASTM D-3295, type I, class A, size 18 AWG

Table 2-3. General Notes - CONT

Note	Cage	Part No./Description
W		Sleeving per ASTM D-3295, type I, class A, size 20 AWG
Y		Sleeving per ASTM D-3295, type I, class A, size 22 AWG
AA	81349	M23053/5-104-0 Insulation sleeving, electrical, heat shrinkable, 0.125
AC	81349	M23053/5-105-0 Insulation sleeving, electrical, heat shrinkable, 0.187
AD	81349	M23053/5-107-0 Insulation sleeving, electrical, heat shrinkable, 0.375
AE	81349	M23053/5-106-0 Insulation sleeving, electrical, heat shrinkable, 0.25
AF	81349	M23053/5-109-0 Insulation sleeving, electrical, heat shrinkable, 0.75
AG	81349	M23053/5-108-0 Insulation sleeving, electrical, heat shrinkable, 0.5

WIRE NO	SIZE	COLOR	TYPE	FROM	TERM 2	GEN. 3	TO	TERM 2	GEN. 3	LENGTH	REMARKS
W04	RG223		W44	A01AT3-P2	01	AA	AR1-INPUTP1	01	AA	149531-2	
W03	RG223		W44	A01AT6-P2	15	G	DC1-OUT-P1	01	AA	149540-1	
W44	RG223		W44	A01AT15-J1	01	AA	W45-P2	15	G	149552-1	
W48	RG223		W44	A01AT16-P1	01	AA	W49-P2	01	AA	149552-3	
W52	RG223		W44	A01AT17-J1	15	G	W53-P2	15	G	149553-2	
W56	RG223		W44	A01AT18-J1	01	AA	W57-P2	01	AA	149554-1	
W60	RG223		W44	A01AT19-J1	15	G	W61-P2	15	G	149554-3	
W64	RG223		W44	A01AT20-J1	01	AA	W65-P2	01	AA	149556-2	
W22	RG223		W44	A01CP4-P1	15	G	W23-P2	15	G	149548-2	
W26	RG223		W44	A01CP5-P1	01	AA	W27-P2	01	AA	149549-1	
W30	RG223		W44	A01CP6-P1	15	G	W31-P2	15	G	149549-3	
W34	RG223		W44	A01CP7-P1	01	AA	W35-P2	01	AA	149550-2	
W38	RG223		W44	A01CP8-P1	15	G	W39-P2	15	G	149551-1	
W71	RG223		W44	A01CP9-P1	01	AA	W70-P2	01	AA	149556-3	
1050A	18 AWG	WHITE	W17	A01TB1-01	01	AA	TB06-05	01	AA	36	FT
1050B		SHIELD		GND	15	G		01	AA	36	FT
1052A	18 AWG	WHITE	W17	A01TB1-02	01	AA	TB06-10	01	AA	36	FT
1052B		SHIELD		GND	15	G		15	G		
1054A	18 AWG	WHITE	W17	A01TB1-03	01	AA	TB06-15	01	AA	36	FT
1054B		SHIELD		GND	15	G		15	G		
1067A	18 AWG	WHITE	W17	A01TB1-04	01	AA	TB07-04	01	AA	36	FT
1067B		SHIELD		GND	15	G		15	G		
1069A	18 AWG	WHITE	W17	A01TB1-05	01	AA	TB07-09	06	AA	36	FT
1069B		SHIELD		GND	15	G		15	G		
1071A	18 AWG	WHITE	W17	A01TB1-06	01	AA	TB07-15	01	AA	16	FT
1071B		SHIELD		GND	15	G		15	G		
1081A	18 AWG	WHITE	W17	A01TB1-07	01	AA	TB08-01	01	AA	36	FT
1081B		SHIELD		GND	15	G		15	G		
1083A	18 AWG	WHITE	W17	A01TB1-08	01	AA	TB08-04	01	AA	36	FT
1083B		SHIELD		GND	15	G		15	G		
1085A	18 AWG	WHITE	W17	A01TB1-09	01	AA	TB08-15	08	AA	36	FT
1085B		SHIELD		GND	15	G		15	G		
1096A	18 AWG	WHITE	W17	A01TB1-10	01	AA	TB09-03	08	AA	36	FT
1096B		SHIELD		GND	15	G		15	G		
1097A	18 AWG	WHITE	W17	A01TB1-11	01	AA	TB09-08	08	AA	36	FT
1097B		SHIELD		GND	15	G		15	G		
1129	18 AWG	WHITE	W03	A01TB1-12	01	AA	TB16-07	01	AA	16	FT
1130	18 AWG	WHITE	W03	A01TB1-13	01	AA	TB16-08	08	AA	16	FT
1131	18 AWG	WHITE	W03	A01TB1-14	01	AA	TB16-09	08	AA	16	FT
1132	18 AWG	WHITE	W03	A01TB1-15	01	AA	TB16-10	01	AA	16	FT
1134	18 AWG	WHITE	W03	A01TB1-16	01	AA	TB16-12	01	AA	16	FT
1159	18 AWG	WHITE	W03	A01TB1-17	01	AA	TB16-16	01	AA	16	FT
1038A	18 AWG	WHITE	W17	A01TB1-18	01	AA	TB05-01	01	AA	30	FT
1038B		SHIELD		GND	14	G		15	G		

REV N

1 see table 2-1 2 see table 2-2 3

table 2-3

FIGURE 2-1. Transmitter Cabinet 1 (Sheet 1 of 53)

WIRE NO	SIZE	COLOR	TYPE ¹	FROM	TERM ²	GEN. ³	TO	TERM ²	GEN. ³	LENGTH	REMARKS
1041A	18 AWG	WHITE	W17	A01TB2-01	06	AA	TB05-04	01	AA	28	FT
1041B		SHIELD		GND	15	G	GND	15	G		
1042A	18 AWG	WHITE	W17	A01TB2-02	06	AA	TB05-12	01	AA	28	FT
1042B		SHIELD		GND	15	G	GND	15	G		
1043A	18 AWG	WHITE	W17	A01TB2-03	06	AA	TB05-13	01	AA	18	FT
1043B		SHIELD		GND	15	G	GND	15	G		
1044A	18 AWG	WHITE	W17	A01TB2-04	06	AA	TB05-19	01	AA	28	FT
1044B		SHIELD		GND	15	G	GND	15	G		
1045A	18 AWG	WHITE	W17	A01TB2-05	06	AA	TB05-20	01	AA	28	FT
1045B		SHIELD		GND	15	G	GND	15	G		
1119A	18 AWG	WHITE	W17	A01TB2-06	01	AA	TB14-03	01	AA	20	FT
1119B		SHIELD		GND	15	G	GND	15	G		
1102A	18 AWG	WHITE	W17	A01TB2-07	01	AA	TB10-03	01	AA	18	FT
1102B		SHIELD		GND	15	G	GND	15	G		
1009	18 AWG	WHITE	W03	A01TB2-08	01		TB03-02	08		28	FT
1012	18 AWG	WHITE	W03	A01TB2-09	01		TB03-05	01		28	FT
1168	18 AWG	WHITE	W03	A01TB2-10	01		TB18-01-*	01		15	FT
1169	18 AWG	WHITE	W03	A01TB2-11	01		TB21-01	08		22	FT
1017	18 AWG	WHITE	W03	A01TB2-12	01		TB03-12	01		28	FT
1018	18 AWG	WHITE	W03	A01TB2-13	01		TB03-13	01		28	FT
1019	18 AWG	WHITE	W03	A01TB2-14	01		TB03-14	01		28	FT
1020	18 AWG	WHITE	W03	A01TB2-15	01		TB03-15	01		28	FT
1021	18 AWG	WHITE	W03	A01TB2-16	01		TB03-16	01		28	FT
1022	18 AWG	WHITE	W03	A01TB2-17	01		TB03-17	01		28	FT
1023	18 AWG	WHITE	W03	A01TB2-18	01		TB03-18	01		28	FT
1024	18 AWG	WHITE	W03	A01TB3-01	01		TB03-19	01		28	FT
1025	18 AWG	WHITE	W03	A01TB3-02	01		TB03-20	01		28	FT
1026	18 AWG	WHITE	W03	A01TB3-03	01		TB04-01	01		28	FT
1170A	22 AWG	WHITE	W31	A01TB3-04	01	AA	J01-01		K	22	FT
1170B		BLACK		A01TB3-05	01		J01-02		K		
1170C		SHIELD		GND	15	G	GND				
1171A	22 AWG	WHITE	W31	A01TB3-06	01	AA	J01-03		K,AA	22	FT
1171B		BLACK		A01TB3-07	01		J01-04		K		
1171C		SHIELD		GND	15	G	GND				
1172A	22 AWG	WHITE	W31	A01TB3-08	01	AA	J01-05		K,AA	22	FT
1172B		BLACK		A01TB3-09	01		J01-06		K		
1172C		SHIELD		GND	15	G	GND				
1173A	22 AWG	WHITE	W31	A01TB3-10	01	AA	J01-07		K,AA	22	FT
1173B		BLACK		A01TB3-11	01		J01-08		K		
1173C		SHIELD		GND	15	G	GND				
1174A	22 AWG	WHITE	W31	A01TB3-12	01	AA	J01-09		K,AA	22	FT
1174B		BLACK		A01TB3-13	01		J01-10		K		
1174C		SHIELD		GND	15	G	GND				
1175	18 AWG	WHITE	W03	A01TB3-14	01		PS3TB1-05	08		15	FT

FIGURE 2-1. Transmitter Cabinet 1 (Sheet 2 of 53)

REV N

¹ see table 2-1 ² see table 2-2 ³ see table 2-3

WIRE NO	SIZE	COLOR	TYPE ¹	FROM	TERM ²	GEN. ³	TO	TERM ²	GEN. ³	LENGTH	REMARKS
1201A	18 AWG	WHITE	W29	A01TB5-14	01	AE	L42-2		J,AE	35	FT
1201B		BLACK		A01TB5-15	01		L43-2		J		
1201C		SHIELD		GND	15	G					
1202A	18 AWG	WHITE	W29	A01TB5-17	01	AE	A13TB1-14	08	AE	12	FT
1202B		BLACK		A01TB5-16	01		A13TB1-15	08			
1202C		SHIELD		GND	15	G					
1203A	18 AWG	WHITE	W29	A01TB5-18	01	AE	A13TB1-16	08	AE	12	FT
1203B		BLACK		A01TB6-01	01		A13TB1-17	08			
1203C		SHIELD		GND	15	G					
1204A	18 AWG	WHITE	W29	A01TB6-02	01	AE	A13TB1-01	08	AE	12	FT
1204B		BLACK		A01TB6-03	01		A13TB1-02	08			
1204C		SHIELD		GND	15	G					
1205A	18 AWG	WHITE	W29	A01TB6-04	01	AE	A13TB1-06	08	AE	12	FT
1205B		BLACK		A01TB6-05	01		A13TB1-07	08			
1205C		SHIELD		GND	15	G					
1206A	18 AWG	WHITE	W17	A01TB6-06	01	AA	C003-2		J,AA	15	FT
1206B		SHIELD		GND	15	G					
1207A	18 AWG	WHITE	W17	A01TB6-07	01	AA	C017-2		J,AA	20	FT
1207B		SHIELD		GND	15	G			J,G		
1208A	18 AWG	WHITE	W17	A01TB6-08	01	AA	A04C4-1		J,AA	30	FT
1208B		SHIELD		GND	15	G			J,G		
1209A	18 AWG	WHITE	W17	A01TB6-09	01	AA	A05C3-1		J,AA	30	FT
1209B		SHIELD		GND	15	G			J,G		
1000A	18 AWG	WHITE	W17	A01TB6-10	01	AA	TB01-2	01	AA	12	FT
1000B		SHIELD		GND	15	G		15	G		
1358A	18 AWG	WHITE	W17	A01TB6-11	01	AA	E29		J,AA	20	FT
1358B		SHIELD		GND	15	G		15	G		
1211	18 AWG	WHITE	W03	A01TB6-12	01		E26		J	15	FT
1098	18 AWG	WHITE	W03	A01TB6-13	01		TB04-17	01		20	FT
1212	18 AWG	WHITE	W03	A01TB6-14	01		E34		J	15	FT
1213	18 AWG	WHITE	W03	A01TB6-15	01		E36		J	15	FT
1214	18 AWG	WHITE	W03	A01TB6-16	01		E38		J	15	FT
1215	18 AWG	WHITE	W03	A01TB6-17	01		E40		J	18	FT
1216	18 AWG	WHITE	W03	A01TB6-18	01		E42		J	18	FT
1585A	18 AWG	WHITE	W17	A01TB6-19	01		A25J5-A		K,A	10	FT
1585B		SHIELD		GND	15	G					
1470A	18 AWG	WHITE	W17	A01TB6-19	01		S34TB1-04	01	AA	26	FT
1470B		SHIELD		GND	15	G					
1217	18 AWG	WHITE	W03	A01TB7-01	01		E44		J	18	FT
1218	18 AWG	WHITE	W03	A01TB7-02	01		E46		J	20	FT
1219	18 AWG	WHITE	W03	A01TB7-03	01		E48		J	20	FT
1220	18 AWG	WHITE	W03	A01TB7-04	01		E50		J	20	FT
1221	18 AWG	WHITE	W03	A01TB7-05	01		E52		J	20	FT
1296A	22 AWG	WHITE	W31	A01TB7-06	01	AA	J01-11		K,AA	22	FT

REV N

¹ see table 2-1 ² see table 2-2 ³ see table 2-3

FIGURE 2-1. Transmitter Cabinet 1 (Sheet 4 of 53)

WIRE NO	SIZE	COLOR	TYPE ¹	FROM	TERM ²	GEN. ³	TO	TERM ²	GEN. ³	LENGTH	REMARKS
1296B		BLACK		A01TB7-07	01		J01-12				
1296C		SHIELD		GND	15	G					
1297A	22 AWG	WHITE	W31	A01TB7-08	01	AA	J01-13		K,AA	22	FT
1297B		BLACK		A01TB7-09	01		J01-14		K		
1297C		SHIELD		GND	15	G					
1298A	22 AWG	WHITE	W31	A01TB7-10	01	AA	J01-15		K,AA	22	FT
1298B		BLACK		A01TB7-11	01		J01-16		K		
1298C		SHIELD		GND	15	G					
1299A	22 AWG	WHITE	W31	A01TB7-12	01	AA	J01-17		K,AA	22	FT
1299B		BLACK		A01TB7-13	01		J01-18		K		
1299C		SHIELD		GND	15	G					
1300A	22 AWG	WHITE	W31	A01TB7-14	01	AA	J01-19		K,AA	22	FT
1300B		BLACK		A01TB7-15	01		J01-20		K		
1300C		SHIELD		GND	15	G					
1301A	18 AWG	WHITE	W17	A01TB7-18	01	AA	A12E1	06	AA	20	FT
1301B		SHIELD		GND	15	G	GND		J,G		
1380A	18 AWG	WHITE	W29	A01TB8-01	01	AE	L47-2		J,AE	20	FT
1380B		BLACK		A01TB8-02	01		L46-2		J		
1380C		SHIELD		GND	15	G	GND		J		
1359A	18 AWG	WHITE	W29	A01TB8-03	01	AE	L44-2		J,AE	20	FT
1359B		BLACK		A01TB8-04	01		L45-2		J		
1359C		SHIELD		GND	15	G	GND		J		
1360A	18 AWG	WHITE	W29	A01TB8-05	01	AE	L49-2		J,AE	25	FT
1360B		BLACK		A01TB8-06	01		L48-2		J		
1360C		SHIELD		GND	15	G	GND		J		
1364A	18 AWG	WHITE	W17	A01TB8-07	01	AA	PS3E8	06	AA	20	FT
1364B		SHIELD		GND	15	G	GND		G		
1367A	18 AWG	WHITE	W17	A01TB8-08	01	AA	PS4E5	06	AA	20	FT
1367B		SHIELD		GND	15	G	GND		G		
1368A	18 AWG	WHITE	W17	A01TB8-09	01	AA	PS5E5	06	AA	14	FT
1368B		SHIELD		GND	15	G	GND		G		
1369	18 AWG	WHITE	W03	A01TB8-10	01		A25S3-	01	J	12	FT
1489	18 AWG	WHITE	W03	A01TB8-10	08		PS3TB1	01		15	FT
1013	18 AWG	WHITE	W03	A01TB8-11	01		TB03-0	01		28	FT
1586	18 AWG	WHITE	W03	A01TB8-11	07		A24TB3	08		6	FT
1468A	18 AWG	WHITE	W17	A01TB8-12	01	AA	S34TB1	01	AA	26	FT
1468B		SHIELD		GND	15	G					
1469A	18 AWG	WHITE	W17	A01TB8-13	01	AA	S34TB1	01	AA	26	FT
1469B		SHIELD		GND	15	G					
1584A	18 AWG	WHITE	W17	A01TB8-14	01	AA	A25J5-		K	10	FT
1584B		SHIELD		GND	15	G	A25J5-				
1324A	18 AWG	WHITE	W17	A01TB8-15	01	AA	TB08-0	08	AA	36	FT
1324B		SHIELD		GND	15	G	GND	06	G		
1325A	18 AWG	WHITE	W17	A01TB8-16	01	AA	TB8-09	08	AA	36	FT

REV N

¹ see table 2-1 ² see table 2-2 ³ see table 2-3

FIGURE 2-1. Transmitter Cabinet 1 (Sheet 5 of 53)

WIRE NO	SIZE	COLOR	TYPE ¹	FROM	TERM ²	GEN. ³	TO	TERM ²	GEN. ³	LENGTH	REMARKS
1325B		SHIELD		GND	15	G	GND	06	G		
	18 AWG	WHITE	W17	/A02C1		J	XV1-GRID		J		COMPONENT LEAD
		SHIELD		A02C4	15	J,AA	C003-1		J,AA	8 IN	JUMPER
	RG223	SHIELD	W44	GND		G					
				/A03C1		J	XV2-GRID		J		COMPONENT LEAD
				A03C4		J,B	C017-1		J,B	11 IN	JUMPER
				GND		G		15	G		
				/A04C1		J	XV3-GRID		J		COMPONENT LEAD
1208A	18 AWG	WHITE	W17	A04C4		J,AA	A01TB6-08	01	AA	30 FT	
1208B		SHIELD		GND		J,G		15	G		
1209A	18 AWG	WHITE	W17	/A05C3		J,AA	A01TB6-09	01	AA	30 FT	
1209B		SHIELD		GND		J,G		15	G		
	RG223		W44	A05C1		J	C067-2		J		COMPONENT LEAD
1292A		SHIELD		A05R2		K,B	A25-J1		K,B	18 FT	
1292B		BUS		GND	15	K,G			K,G		
	10 AWG	WHITE	W29	/A06E1		N268	C091(-)			20 FT	MANUFACTURED BUS
1226A	18 AWG	BLACK	W29	A06E4	06		A13TB1-09	08			
1226B		SHIELD		A06E2	06		A13TB1-10	08			
1226C		SHIELD		A06E3		G		15	G		
1227A	18 AWG	WHITE	W17	A06E5	06	AA	A25S1-2		J,AA	20 FT	
1227B		SHIELD		A06E6		G		15	G		
1228	12 AWG	WHITE	W53	/A07E1	19		C095(-)			20 FT	SEP FORM
1229A	18 AWG	WHITE	W29	A07E0	06		A13TB1-19	08			
1229B		BLACK		A07E0	06		A13TB1-20	08			
1229C		SHIELD		A07E0		G		15	G		
1230A	18 AWG	WHITE	W17	A07E5	06	AA	A25S1-4		J,AA	20 FT	
1230B		SHIELD		A07E6		G		15	G		
1231A	20 AWG	WHITE	W30	/A08TB		AC	A14P3-A		K,AC	20 FT	
1231B		BLACK		A08TB	01		A14P3-B		K		
1231C		SHIELD		A08TB	01		A14P3-C		K		
1232A	20 AWG	WHITE	W30	A08TB	15	H	A15P4-A		K,G		
1232B		BLACK		A08TB	01	AC	A15P4-B		K,AC	20 FT	
1232C		SHIELD		A08TB	01		A15P4-C		K		
1233A	20 AWG	WHITE	W30	A08TB	15	H	A16P5-A		K,G		
1233B		BLACK		A08TB	01	AC	A16P5-B		K,AC	25 FT	
1233C		SHIELD		A08TB	01		A16P5-C		K		
1234A	18 AWG	WHITE	W29	A08TB	15	H	J18-A		K,G		
1234B		BLACK		A08TB	01	AE	J18-B		K,H	10 FT	
1234C		SHIELD		A08TB	01		GND		K		
1235A	18 AWG	WHITE	W29	A08TB	15	H	J19-A		J		
1235B		BLACK		A08TB	01	AE	J19-B	02	K,AE	10 FT	
1235C		SHIELD		A08TB	01		GND		K		
1236A	20 AWG	WHITE	W30	A08TB	15	H	A18P6-A		G		
1236B		BLACK		A08TB	01	AC	A18P6-B	02	K,AC	25 FT	

REV N

¹ see table 2-1

² see table 2-2

³ see

table 2-3

FIGURE 2-1. Transmitter Cabinet 1 (Sheet 6 of 53)

WIRE NO	SIZE	COLOR	TYPE	FROM	TERM ² GEN. ³	TO	TERM ²	GEN. ³	LENGTH	REMARKS
1236C										
1103	18 AWG	SHIELD	W03	A08TB1-08	H	A18P6-C	08	K,G	6 FT	
1101	18 AWG	WHITE	W03	A08TB1-10		TB14-01	01		5 FT	
1238	18 AWG	WHITE	W03	A08TB1-11		TB10-01	01		15 FT	
1191	18 AWG	WHITE	W03	A08TB1-12		A24TB3-16	01		15 FT	
	18 AWG	WHITE	W03	A08TB1-12		A01TB5-01	01		2 IN	JUMPER
1028	18 AWG	WHITE	W03	A08TB1-13		A08TB1-13	01		22 FT	
	18 AWG	WHITE	W03	A08TB1-13		TB04-03	01		2 IN	JUMPER
1197	18 AWG	WHITE	W03	A08TB1-14		A08TB1-12	01		15 FT	
	18 AWG	WHITE	W03	A08TB1-14		A01TB5-08	01			COMPONENT LEAD
				A08TB1-16	N526	CR09(C)				
1237A	20 AWG	WHITE	W30	A08TB1-17	AC	A20P2-A	01	J,AC	28 FT	
1237B		BLACK		A08TB1-18		A20P2-B	01	J		
1237C		SHIELD		A08TB1-15	H	A20P2-C	06	J,G	12 FT	
1513A	18 AWG	WHITE	W17	A09E1	J,AA	PS3E5	06	AA	12 FT	
1513B		SHIELD				GND	38	G		
1514A	18 AWG	WHITE	W17	A09E2	J,AA	PS3E6	06	AA	12 FT	
1514B		SHIELD				GND	38	G		
1515A	18 AWG	WHITE	W17	A09E3	J,AA	PS3E7	06	AA	12 FT	
1515B		SHIELD				GND	38	G		
1516A	18 AWG	WHITE	W17	A09E4	J,AA	PS4E2	06	AA	15 FT	
1516B		SHIELD				GND	38	G		
1517A	18 AWG	WHITE	W17	A09E5	J,AA	PS4E3	06	AA	15 FT	
1517B		SHIELD				GND	38	G		
1518A	18 AWG	WHITE	W17	A09E6	J,AA	PS4E4	06	AA	15 FT	
1518B		SHIELD				GND	38	G		
1519A	18 AWG	WHITE	W17	A09E7	J,AA	PS5E2	06	AA	10 FT	
1519B		SHIELD				GND	38	G		
1520A	18 AWG	WHITE	W17	A09E8	J,AA	PS5E3	06	AA	10 FT	
1520B		SHIELD				GND	38	G		
1521A	18 AWG	WHITE	W17	A09E9	J,AA	PS5E4	06	AA	10 FT	
1521B		SHIELD				GND	38	G		
1510A	18 AWG	WHITE	W17	A09TB1-01	AA	PS3E2	06	AA	12 FT	
1510B		SHIELD				GND	38	G		
1511A	18 AWG	WHITE	W17	A09TB1-02	AA	PS3E3	06	AA	12 FT	
1511B		SHIELD				GND	38	G		
1512A	18 AWG	WHITE	W17	A09TB1-03	AA	PS3E4	06	AA	12 FT	
1512B		SHIELD				GND	38	G		
1484	18 AWG	WHITE	W03	A09TB1-04		A25S2-2	15	J	10 FT	
1471	18 AWG	WHITE	W03	A09TB1-05		GND	01	J	4 FT	
1471	18 AWG	WHITE	W03	GND	G	A09TB1-05	01	G	4 FT	
1037	18 AWG	WHITE	W03	A09TB1-06		TB04-16	01		22 FT	
1472	18 AWG	WHITE	W03	A09TB1-07		A24TB2-10	01		15 FT	
1473	18 AWG	WHITE	W03	A09TB1-08		A24TB2-11	01		15 FT	
1474	18 AWG	WHITE	W03	A09TB1-09		A24TB2-12	01		15 FT	

REV N

¹ see table 2-1 ² see table 2-2 ³ see table 2-3

FIGURE 2-1. Transmitter Cabinet 1 (Sheet 7 of 53)

WIRE NO	SIZE	COLOR	TYPE	FROM	TERM ²	GEN. ³	REMARKS
1475	18 AWG	WHITE	W03	A09TB1-10	01		
1476	18 AWG	WHITE	W03	A09TB1-11	01		
1477	18 AWG	WHITE	W03	A09TB1-12	01		
1478	18 AWG	WHITE	W03	A09TB1-14	01		
1479	18 AWG	WHITE	W03	A09TB1-15	01		
1480	18 AWG	WHITE	W03	A09TB1-16	01		
1481	18 AWG	WHITE	W03	A09TB1-17	01		
1482	18 AWG	WHITE	W03	A09TB1-18	01		
1483	18 AWG	WHITE	W03	A09TB1-19	01		
1526A	RG223		W44	A10R1-1	05	B	
1526B		SHIELD		GND	15	G	
1293A	RG223		W44	A11R1-1	05	B	
1293B		SHIELD		GND	15	G	
1240	10 AWG	WHITE	W11	A12E1	19	AA	
1301A	18 AWG	WHITE	W17	A12E1	06	G	
1301B		SHIELD		GND	15	AE	
1241A	18 AWG	WHITE	W29	A12E2	06	AA	
1241B		BLACK		A12E4	06	G	
1241C		SHIELD		A12E3	06	AA	
1242A	18 AWG	WHITE	W17	A12E5	06	G	
1242B		SHIELD		A12E6	06	AE	
1204A	18 AWG	WHITE	W29	A13TB1-01	08	G	
1204B		BLACK		A13TB1-02	08	AE	
1204C		SHIELD		GND	15	G	
1032A	14 AWG	WHITE	W27	A13TB1-05	52	G	
1032B		BLACK		A13TB1-04	52	AE	
1032C		SHIELD		GND	15	G	
1205A	18 AWG	WHITE	W29	A13TB1-06	08	AE	
1205B		BLACK		A13TB1-07	08	G	
1205C		SHIELD		GND	15	G	
1226A	18 AWG	WHITE	W29	A13TB1-09	08	G	
1226B		BLACK		A13TB1-10	08	AE	
1226C		SHIELD		GND	15	G	
1033A	14 AWG	WHITE	W27	A13TB1-12	52	AD	
1033B		BLACK		A13TB1-11	52	G	
1033C		SHIELD		GND	15	AE	
1202A	18 AWG	WHITE	W29	A13TB1-14	08	G	
1202B		BLACK		A13TB1-15	08	AE	
1202C		SHIELD		GND	15	G	
1203A	18 AWG	WHITE	W29	A13TB1-16	08	AE	
1203B		BLACK		A13TB1-17	08	G	
1203C		SHIELD		GND	15	G	
1229A	18 AWG	WHITE	W29	A13TB1-19	08	G	
1229B		BLACK		A13TB1-20	08	G	

REV N

¹ see table 2-1 ² see table 2-2 ³ see table 2-3

FIGURE 2-1. Transmitter Cabinet 1 (Sheet 8 of 53)

CO	SIZE	DR	TYPE	FROM	TERM ²	GEN. ³	TO	TERM ²	GEN. ³	LENGTH	REMARKS
SH		ELD		GND	15	G	A07E3	06	G		
WH	AWG	TE	W27	A13TB2-04	52	AD	TB04-13	15	AD	15	FT
BL		CK		A13TB2-03	52		TB04-12	15			
SH		ELD		GND	15	G		14	G		
WH	AWG	TE	W29	A13TB2-07	08	AE	A12E2	06	AE	20	FT
BL		CK		A13TB2-06	08		A12E4	06			
SH		ELD		GND	15	G	A12E3	06	G		
WH	AWG	TE	W30	A14P3-A		K,AC	A08TB1-01	01	AC	20	FT
BL		CK		A14P3-B		K	A08TB1-03	01			
SH		ELD		A14P3-C		K,G	A08TB1-02	15	H		
WH	AWG	TE	W30	A15P4-A		K,AC	A08TB1-01	01	AC	20	FT
BL		CK		A15P4-B		K	A08TB1-03	01			
SH		ELD		A15P4-C		K,G	A08TB1-02	15	H		
WH	AWG	TE	W30	A16P5-A		K,AC	A08TB1-04	01	AC	25	FT
BL		CK		A16P5-8		K	A08TB1-06	01			
SH		ELD		A16P5-C		K,G	A08TB1-05	15	H		
WH	AWG	TE	W30	A17-P1			J19-P2			149558-2	
WH	AWG	TE	W30	A18P6-A		K,AC	A08TB1-07	01	AC	25	FT
BL		CK		A18P6-B		K	A08TB1-09	01			
SH		ELD		A18P6-C		K,G	A08TB1-08	15	H		
WH	AWG	TE	W30	A19-P1			J18-P2			149558-1	
WH	AWG	TE	W30	A20P2-A		K,AC	A08TB1-17	01	AC	28	FT
BL		CK		A20P2-B		K	A08TB1-18	01			
SH		ELD		A20P2-C		J,G	A08TB1-15	15	H		
WH				A21R1-1			C032-2	42			
WH				A21R1-2			C049-2	42			
WH				A22R1-1			GND				
WH				A22R1-2			C100-2	56			
WH	AWG	TE	W13	A23CB1-1	29	B	TB17-09	29	B	16	FT
BR	IN	ID	W51	A23-	14	AG	TB17-	14	AG	15	FT
WH	AWG	TE	W13	A23CB1-02	29	B	TB02-02	29	B	16	IN
WH	AWG	TE	W03	A23CB2-2	06		A24TB1-07	01		10	FT
WH	AWG	TE	W03	A23CB2-4	06		A24TB1-08	01		10	FT
WH	AWG	TE	W03	A23CB2-6	06		A24TB1-09	01		10	FT
WH	AWG	TE	W03	A23CB3-4	06		A24TB1-11	01		10	FT
WH	AWG	TE	W03	A23CB3-2	06		A24TB1-10	01		10	FT
WH	AWG	TE	W03	A23CB3-6	06		A24TB1-12	01		10	FT
BR	IN	ID	W50	A23-	14	AF	TB17-	14	AF		
WH	AWG	TE	W13	A23CB4-1	29	B	TB17-01	29	B	16	FT
WH	AWG	TE	W03	A23CB4-2	06		A24TB1-13	01		10	FT
WH	AWG	TE	W13	A23CB4-3	29	C	TB17-02	29	B	16	FT
WH	AWG	TE	W03	A23CB4-4	06		A24TB1-14	01		10	FT
WH	AWG	TE	W13	A23CB4-5	29	B	TB17-03	29	B	16	FT
WH	AWG	TE	W03	A23CB4-6	06		A24TB1-15	01		10	FT

COMPONENT LEAD
 COMPONENT LEAD
 COMPONENT LEAD
 RUN 3/8 IN BRAID
 SHIELD FOR WIRE NO 1553
 JUMPER

SHIELD FOR 1160,1161,1162,1163
 IN BRAID WITH 1161,1162 AND 1163
 IN BRAID WITH 1160,1162 AND 1163
 IN BRAID WITH 1160,1161 AND 1163

REV N

FIGURE 2-1. Transmitter Cabinet 1 (Sheet 9 of 53)

WIRE NO	SIZE	COLOR	TYPE	FROM	TERM 2	GEN. 3	TO	TERM	LENGTH	REMARKS
1250	16 AWG	WHITE	W04	A23CB5-2	14		A24TB1-01	15	10	FT
1251	16 AWG	WHITE	W04	A23CB5-4	14		A24TB1-02	15	10	FT
1252	16 AWG	WHITE	W04	A23CB5-6	14		A24TB1-03	15	10	FT
1253	12 AWG	WHITE	W53	A23CB6-2	19		A24TB1-04	20	10	FT
1254	12 AWG	WHITE	W53	A23CB6-4	19		A24TB1-05	20	10	FT
1255	12 AWG	WHITE	W53	A23CB6-6	19		A24TB1-06	20	10	FT
1265	12 AWG	WHITE	W53	A23CB7-2	19		A24TB1-16	20	10	FT
1286	12 AWG	WHITE	W53	A23CB7-3	19		A24TB4-04	20	10	FT
1266	12 AWG	WHITE	W53	A23CB7-4	19		A24TB1-17	20	10	FT
1267	12 AWG	WHITE	W53	A23CB7-6	19		A24TB1-18	20	10	FT
1467	18 AWG	WHITE	W03	A23TB1-03	01		A01TB4-06	01	12	FT
1247	18 AWG	WHITE	W03	A23TB1-04	01		A24TB3-05	01	10	FT
1035	18 AWG	WHITE	W03	A23TB1-05	01		TB04-15	01	12	FT
1120	18 AWG	WHITE	W03	A23TB1-06	01		TB15-04	01	10	FT
1248	18 AWG	WHITE	W03	A23TB1-10	01		A24TB4-05	01	10	FT
	18 AWG	WHITE	W03	A23TB1-11	01		TB02-01	05	10	IN
1250	16 AWG	WHITE	W04	A24TB1-01	15		A23CB5-2	14	10	FT
1251	16 AWG	WHITE	W04	A24TB1-02	15		A23CB5-4	14	10	FT
1252	16 AWG	WHITE	W04	A24TB1-03	15		A23CB5-6	14	10	FT
1253	12 AWG	WHITE	W53	A24TB1-04	20		A23CB6-2	19	10	FT
1254	12 AWG	WHITE	W53	A24TB1-05	20		A23CB6-4	19	10	FT
1255	12 AWG	WHITE	W53	A24TB1-06	20		A23CB6-6	19	10	FT
1256	18 AWG	WHITE	W03	A24TB1-07	01		A23CB2-2	06	10	FT
1257	18 AWG	WHITE	W03	A24TB1-08	01		A23CB2-4	06	10	FT
1258	18 AWG	WHITE	W03	A24TB1-09	01		A23CB2-6	06	10	FT
1259	18 AWG	WHITE	W03	A24TB1-10	01		A23CB3-2	06	10	FT
1260	18 AWG	WHITE	W03	A24TB1-11	01		A23CB3-4	06	10	FT
1261	18 AWG	WHITE	W03	A24TB1-12	01		A23CB3-6	06	10	FT
1262	18 AWG	WHITE	W03	A24TB1-13	01		A23CB4-2	06	10	FT
1264	18 AWG	WHITE	W03	A24TB1-15	01		A23CB4-6	06	10	FT
1263	18 AWG	WHITE	W03	A24TB1-14	01		A23CB4-4	06	10	FT
1265	12 AWG	WHITE	W53	A24TB1-16	20		A23CB7-2	19	10	FT
1266	12 AWG	WHITE	W53	A24TB1-17	20		A23CB7-4	19	10	FT
1267	12 AWG	WHITE	W53	A24TB1-18	20		A23CB7-6	19	10	FT
1268	16 AWG	WHITE	W04	A24TB2-01	15		T3-A-COM-SEC	15	12	FT
1269	16 AWG	WHITE	W04	A24TB2-02	15		T3-B-COM-SEC	15	12	FT
1270	16 AWG	WHITE	W04	A24TB2-03	15		T3-C-COM-SEC	15	12	FT
1271	12 AWG	WHITE	W53	A24TB2-04	20		T1-A-COM-SEC	16	20	FT
1272	12 AWG	WHITE	W53	A24TB2-05	20		T1-B-COM-SEC	16	20	FT
1273	12 AWG	WHITE	W53	A24TB2-06	20		T1-C-COM-SEC	16	20	FT
1274	18 AWG	WHITE	W03	A24TB2-07	01		PS3TB1-01	01	12	FT
1275	18 AWG	WHITE	W03	A24TB2-08	01		PS3TB1-02	01	12	FT
1276	18 AWG	WHITE	W03	A24TB2-09	01		PS3TB1-03	01	12	FT
1472	18 AWG	WHITE	W03	A24TB2-10	01		A09TB1-07	01	15	FT

JUMPER

REV N

ble 2-3

¹ see table 2-1 ² see table 2-2 ³ see t

FIGURE 2-1. Transmitter Cabinet 1 (Sheet 10 of 53)

WIRE NO	SIZE	COLOR	TYPE	FROM	TERM ²	GEN. ³	TO	TERM ²	GEN. ³	LENGTH	REMARKS
1473	18 AWG	WHITE	W03	A24TB2-11	01		A09TB1-08	01		15 FT	
1474	18 AWG	WHITE	W03	A24TB2-12	01		A09TB1-09	01		15 FT	
1478	18 AWG	WHITE	W03	A24TB2-13	01		A09TB1-14	01		15 FT	
1479	18 AWG	WHITE	W03	A24TB2-14	01		A09TB1-15	01		15 FT	
1480	18 AWG	WHITE	W03	A24TB2-15	01		A09TB1-16	01		15 FT	
1277	12 AWG	WHITE	W53	A24TB2-16	20		T2-A-COM-SEC	16		25 FT	
1278	12 AWG	WHITE	W53	A24TB2-17	20		T2-B-COM-SEC	16		25 FT	
1279	12 AWG	WHITE	W53	A24TB2-18	20		T2-C-COM-SEC	16		25 FT	
1247	18 AWG	WHITE	W03	A24TB3-05	01		A23TB1-04	01		10 FT	
1016	18 AWG	WHITE	W03	A24TB3-06	01		TB03-09	01		21 FT	
1466A	18 AWG	WHITE	W17	A24TB3-07	01	AA	S35TB1-05	01	AA	12 FT	
1466B		SHIELD		GND	15	G					
1282A	18 AWG	WHITE	W17	A24TB3-08	08	AA	S35TB1-01	01	AA	12 FT	
1282B		SHIELD					GND	15	G		
1290A	18 AWG	WHITE	W17	A24TB3-08	01		S35TB1-03	01	AA	12 FT	
1290B		SHIELD					GND	15	G		
1582	16 AWG	WHITE	W04	A24TB3-08	01		A24TB4-01	01		15 FT	
1180	18 AWG	WHITE	W03	A24TB3-09	08		A01TB4-01	01		15 FT	
1183	18 AWG	WHITE	W03	A24TB3-11	08		A01TB4-07	01		15 FT	
1283	18 AWG	WHITE	W03	A24TB3-12	08		S38TB1-05	01		25 FT	
1121A	18 AWG	WHITE	W17	A24TB3-13	01	AA	TB15-05	01	AA	25 FT	
1121B		SHIELD					GND	15	G		
1284	12 AWG	WHITE	W53	A24TB3-15	20		PS1-7	20		10 FT	
1523	12 AWG	WHITE	W53	A24TB3-15	20		A24TB4-11	20		20 FT	
1238	18 AWG	WHITE	W03	A24TB3-16	01		A08TB1-11	01		15 FT	
1485	18 AWG	WHITE	W03	A24TB3-16	08		S09-COM	01	J	15 FT	
1011	18 AWG	WHITE	W03	A24TB3-17	01		TB03-04	01		25 FT	
1285	12 AWG	WHITE	W53	A24TB3-18	20		PS3TB1-04	20		15 FT	
1586	18 AWG	WHITE	W03	A24TB3-19	20		A01TB8-11	20		6 FT	
1576	16 AWG	WHITE	W04	A24TB4-01	01		R11-1	01	J	10 FT	
1582	16 AWG	WHITE	W04	A24TB4-01	01		A24TB3-08	01		15 FT	
1581A	18 AWG	WHITE	W17	A24TB4-02	01		A01TB4-10	01		15 FT	
1581B		SHIELD					GND	15	G		
1286	12 AWG	WHITE	W53	A24TB4-04	20		A23CB7-3	19		10 FT	
1248	18 AWG	WHITE	W03	A24TB4-05	01		A23TB1-10	01		10 FT	
1523	12 AWG	WHITE	W53	A24TB4-11	20		A24TB3-15	20		20 FT	
1288	16 AWG	WHITE	W04	A24TB4-18	15		E27	12	J	15 FT	
1577	16 AWG	WHITE	W04	A24TB4-18	15		CR45(A)	12	J	10 FT	
1289	14 AWG	WHITE	W05	A24TB4-19	15		E29	12	J	15 FT	JUMPER
	18 AWG	WHITE	W03	A24TB4-19	20		A24TB4-20	20		2 IN	
1117	18 AWG	WHITE	W03	A24TB4-20	20		TB10-01	08		18 FT	
	18 AWG	WHITE	W03	A24TB4-20	20		A24TB4-19	20		2 IN	JUMPER
1292A	RG223	WHITE	W44	A24TB4-20	20	K,B	A05R2-2	20	K,B	18 FT	
1292B		SHIELD		A25-J1		G	GND		G		

REV N

¹ see table 2-1 ² see table 2-2 ³ see table 2-3

FIGURE 2-1. Transmitter Cabinet 1 (Sheet 11 of 53)

WIRE NO	SIZE	COLOR	TYPE ¹	FROM	TERM ²	GEN. ³	TO	TERM ²	GEN. ³	LENGTH	REMARKS
1293A	RG223		W44	A25-J2		K,B	A11R1-1	05	B	15 FT	
1293B		SHIELD		GND		K	GND	15	G		
1526A	RG223		W44	A25-J3		K,B	A10R1-1	05	B	16 FT	
1526B		SHIELD		GND		K	GND	15	G		
1585A	18 AWG	WHITE	W17	A25J5-A		K,A	A01TB6-19	01	G	10 FT	
1585B		SHIELD					GND	15	G		
1584A	18 AWG	WHITE	W17	A25J5-C		K	A01TB8-14	01	AA	10 FT	
1584B		SHIELD		A25J5-E			GND	15	G		
1198A	18 AWG	WHITE	W17	A25K1-A1	06	AA	A01TB5-09	01	AA	10 FT	
1198B		SHIELD					GND	15	G		
1122A	18 AWG	WHITE	W17	A25S1-1		J,AA	TB15-07	01	AA	30 FT	
1122B		SHIELD					GND	14	G		
1227A	18 AWG	WHITE	W17	A25S1-2		J,AA	A06E5	06	AA	20 FT	
1227B		SHIELD					A06E6	06	G		
1123A	18 AWG	WHITE	W17	A25S1-3		J,AA	TB15-08	01	AA	30 FT	
1123B		SHIELD					GND	14	G		
1230A	18 AWG	WHITE	W17	A25S1-4		J,AA	A07E5	06	AA	20 FT	
1230B		SHIELD					A07E6	06	G		
1124A	18 AWG	WHITE	W17	A25S1-5		J,AA	TB15-10	01	AA	30 FT	
1124B		SHIELD					GND	14	G		
1242A	18 AWG	WHITE	W17	A25S1-6		J,AA	A12E5	06	AA	20 FT	
1242B		SHIELD					A12E6	06	G		
1484	18 AWG	WHITE	W03	A25S2-2		J	A09TB1-04	01		10 FT	
1195	18 AWG	WHITE	W03	A25S2-2		J	A01TB5-06	01		10 FT	
1295	18 AWG	WHITE	W03	A25S2-C1		J	K5-X1	12	J	12 FT	
1210	18 AWG	WHITE	W03	A25S3-1	01	J	A01TB3-14	01		12 FT	
1369	18 AWG	WHITE	W03	A25S3-8		J	A01TB8-10	01		12 FT	
1557	18 AWG	WHITE	W03	A25K1-X2	07		A01TB5-02	08		12 FT	
W04			W44	ARI-INPUTP1			A01AT3-P2			149531-2	
1001A	RG223		W44	ARI-KEYLINE		B,K	TB01-2	08	B	4 FT	
1001B		SHIELD		GND		K	GND	14			
	18 AWG	WHITE	W17	C001-1	56	J	C100-1		J,AA	8 IN	COMPONENT LEAD
		SHIELD		C003-1			A02C4-2				JUMPER
1206A	18 AWG	WHITE	W17	C003-2		J,AA	A01TB6-06	15	AA	15 FT	
1206B		SHIELD		GND		J,G	GND	15	G		
1311A	18 AWG	WHITE	W17	C004-1	06	AA	S38-6	04	AA	23 FT	
1311B		SHIELD		GND	06	G	GND	06	G		
	18 AWG	WHITE	W36	C004-2		J	L32-1	42		3 IN	COMPONENT LEAD
		SHIELD		C005-1	42		C046-1				JUMPER
1315A	18 AWG	WHITE	W17	C005-2	05	AA	PS3E1	06	AA	20 FT	
1315B		SHIELD		GND	15	G	GND	42	G		
1316A	RG214		W43	C006-1	04	B	S38-3	55	B	13 FT	
1316B		SHIELD		GND	19	G	GND	19	G		

REV N

¹ see table 2-1 ² see table 2-2 ³ see table 2-3

FIGURE 2-1. Transmitter Cabinet 1 (Sheet 12 of 53)

WIRE NO	SIZE	COLOR	TYPE	FROM	TERM 2	GEN. 3	TO	TERM 2	GEN. 3	LENGTH	REMARKS
1207A	12 AWG	BUS	W33	C006-2	30		L03-1	30		4	JUMPER
1207B	16 AWG	BUS	W35	C007-1	37		L03-2	37		5	JUMPER
1337A	18 AWG	BUS	W36	C007-2	31		K1-NC	24	J	3	JUMPER
1337B	2/0 AWG	BLACK	W24	C011-1	24	E	CR12(-)	31	E	11	JUMPER
	18 AWG	WHITE	W03	C011-1	34		C091(-)	23	E	9	JUMPER
	2/0 AWG	BLACK	W24	C011-3	21	E	L31-1		J	11	JUMPER
				C012-1			L38-2		J		COMPONENT LEAD
				C012-2			GND		J		COMPONENT LEAD
	12 AWG	BUS	W33	C012-2	30		L02-2	30		10	JUMPER
	RG223		W44	C013-1		J,AA	A03C4-2		J,AA	11	JUMPER
				C017-1	15	G	GND		AA	20	FT
	18 AWG	SHIELD	W17	C017-2	15	J,AA	A01TB6-07	01	G		
		WHITE		GND	15	G	GND	15	AA	15	FT
	18 AWG	SHIELD	W22	C018-1	06	AA	S38-5	04	AA	15	FT
		WHITE		GND	06	G	GND	14	G		
	18 AWG	SHIELD	W03	C018-2	01	J	C085-1	06	J	3	JUMPER
		WHITE		C018-2			L33-2				COMPONENT LEAD
	18 AWG	BUS	W36	C018-2	42	J,AA	L34-2	42	AA	5	JUMPER
	18 AWG	WHITE	W17	C019-1	15	G	PS4E1	08	G	20	FT
		SHIELD		C019-2	04	B	GND	42	B		
	RG214		W43	C020-1	19	G	S38-2	55	G	78	IN
				GND	44	G	GND	19	G		
	18 AWG	BUS	W36	C021-2	44	AF	K2-NC	15	J	3	JUMPER
	5/8 IN	BRAID	W40	C025-	13	E	L36-	27	AF	22	SHIELD FOR 1349
	4/0 AWG	BLACK	W25	C025-1	25	E	L36-2	27	E	43	IN IN 5/8 IN BRAID
	18 AWG	WHITE	W03	C025-1	34	E	L40-1	27	E	6	JUMPER
	4/0 AWG	BLACK	W25	C025-3	25	AF	CR01(-)	15	AF	57	IN IN 5/8 IN BRAID
	5/8 IN	BRAID	W40	C025-	13	AF	CR01-	15	AF	22	SHIELD FOR 1351
	18 AWG	WHITE	W03	C025-3	34		L41-1		J	6	JUMPER
				C026-1			L39-2		J		COMPONENT LEAD
				C026-2			GND		J		COMPONENT LEAD
				C031-1			L39-1		J		COMPONENT LEAD
				C031-2			GND		J		COMPONENT LEAD
	18 AWG	WHITE	W22	C032-1	06	AA	S38-4	04	AA	10	SEP FORM
		SHIELD		GND	06	G	GND	06	G		COMPONENT LEAD
				C032-2	42		A21R1-1	42		2	JUMPER
	18 AWG	BUS	W36	C033-1	42	AA	L35-2	06	AA	20	FT
	18 AWG	WHITE	W22	C033-2	05	AA	PS5E1	42	G		
		SHIELD		GND	15	G	GND		J		MANUFACTURED BUS
	1/4 IN	BUS	W26	C034-1	32	N394	L37-2	32	E	24	JUMPER
	8 AWG	WHITE	W26	C034-2	35	E	L16-1	29	E	9	JUMPER
	8 AWG	WHITE	W26	C035-1	35	E	R33-1	29	E	9	JUMPER
	8 AWG	WHITE	W26	C036-1	35	E	R34-1	32	E	15	JUMPER
	4/0 AWG	BLACK	W25	C040-1	32	E	L17-1		E		

REV N

FIGURE 2-1. Transmitter Cabinet 1 (Sheet 13 of 53)

¹ see table 2-1 ² see table 2-2 ³ see table 2-3

WIRE NO	SIZE	COLOR	TYPE ¹	FROM	TERM ²	GEN. ³	TO	TERM ²	GEN. ³	LENGTH	REMARKS
	12 AWG	WHITE	W53	C040-1	50	F	C097(+)	16	F	4	JUMPER
	4/0 AWG	BLACK	W25	C040-2	27	F	V3-FIL	27	F	18	JUMPER
	4/0 AWG	BLACK	W25	C040-3	27	E	CR02(-)	27	E	21	JUMPER
	12 AWG	WHITE	W53	C040-3	50	F	C099(-)	16	F	5	JUMPER
	4/0 AWG	BLACK	W25	C040-4			V3-FIL			20	IN
				C041-1			GND				COMPONENT LEAD
				C041-2			L38-1				COMPONENT LEAD
				C044-1			L40-1				COMPONENT LEAD
				C044-2			GND				COMPONENT LEAD
				C045-2			L01-1				COMPONENT LEAD
				C045-2			L32-2				COMPONENT LEAD
	18 AWG	BUS	W36	C046-1	42		C005-1	42	J	3	JUMPER
				C046-1			R01-2				COMPONENT LEAD
	18 AWG	BUS	W36	C048-1	42		L34-1	42	J	3	JUMPER
	18 AWG	BUS	W36	C048-1	42		L06-2	42	J	2	JUMPER
				C049-2			A21R1-2				COMPONENT LEAD
	18 AWG	BUS	W36	C050-1	42		L35-1	42		3	JUMPER
	18 AWG	BUS	W36	C050-1	42		L12-2	42		3	JUMPER
				C055-1		J	L44-1				COMPONENT LEAD
				C055-2			GND				COMPONENT LEAD
				C056-1			L44-2				COMPONENT LEAD
				C056-2			GND				COMPONENT LEAD
				C057-1			L45-1				COMPONENT LEAD
				C057-2			GND				COMPONENT LEAD
				C058-1			L45-2				COMPONENT LEAD
				C058-2			GND				COMPONENT LEAD
				C059-1			L41-1				COMPONENT LEAD
				C059-2			GND				COMPONENT LEAD
				C060-1			L40-2				COMPONENT LEAD
				C060-2			GND				COMPONENT LEAD
				C061-1			L41-2				COMPONENT LEAD
				C061-2			GND				COMPONENT LEAD
				C062-1			L42-1				COMPONENT LEAD
				C062-2			GND				COMPONENT LEAD
				C063-1			L43-1				COMPONENT LEAD
				C063-2			GND				COMPONENT LEAD
				C064-1			L42-2				COMPONENT LEAD
				C064-2			GND				COMPONENT LEAD
				C065-1			L43-2				COMPONENT LEAD
				C065-2			GND				COMPONENT LEAD
1407	8 AWG	WHITE	W26	C066-1	35	E	S38-1	35	E	8	FT
	1 IN	BRAID	W42	C066-	13	AD	S38-	13	AD		SHIELD FOR 1407
	1/4" BUS			C066-2		N395	L37-1		J		MANUFACTURED BUS
				C067-2			A05C1-1		J		COMPONENT LEAD

FIGURE 2-1. Transmitter Cabinet 1 (Sheet 14 of 53)

REV N

¹ see table 2-1 ² see table 2-2 ³ see table 2-3

WIRE NO	SIZE	COLOR	TYPE	FROM	TERM ² GEN. ³	TO	TERM ² GEN. ³	LENGTH	REMARKS	
1240	10 AWG	WHITE	W11	C072-1		E31	J		COMPONENT LEAD	
	10 AWG	WHITE	W11	C072-2		E32	J		COMPONENT LEAD	
	18 AWG	WHITE	W03	C073-1		GND	J		COMPONENT LEAD	
				C073-2		E29			COMPONENT LEAD	
				C074-1		E27			COMPONENT LEAD	
				C074-2		E28			COMPONENT LEAD	
				C075-1		GND			COMPONENT LEAD	
				C075-2		E33			COMPONENT LEAD	
				C076-1		GND			COMPONENT LEAD	
				C076-2		E30			COMPONENT LEAD	
				C077-1		L46-2			COMPONENT LEAD	
				C077-2		GND			COMPONENT LEAD	
				C078-1		L47-2			COMPONENT LEAD	
				C078-2		GND			COMPONENT LEAD	
				C079-1		L46-1			COMPONENT LEAD	
				C079-2		GND			COMPONENT LEAD	
				C080-1		L47-1			COMPONENT LEAD	
				C080-2		GND			COMPONENT LEAD	
		10 AWG	WHITE	W11	C084-1	16	A12E1	19	6 FT	SEP FORM
		10 AWG	WHITE	W11	C084-1	16	CR02(-)	16	12 IN	JUMPER
		18 AWG	WHITE	W03	C085-1	06	C018-2	01	3 IN	JUMPER
				C088-1		J	C089(+)	N528		COMPONENT LEAD
				C088-2		J	C089(-)	N528		COMPONENT LEAD
				C089(+)		N528	C088-1			COMPONENT LEAD
		18 AWG	WHITE	W03	C089(+)	05	L39-1	J	6 IN	JUMPER
		18 AWG	WHITE	W03	C089(-)	07	GND	J	7 IN	JUMPER
				C089(-)		N528	C088-2			COMPONENT LEAD
				C090-1		J	C091(+)	N528		COMPONENT LEAD
				C090-2		J	C091(-)	N528		COMPONENT LEAD
		10 AWG	BUS		C091(-)		A06E1			MANUFACTURED BUS
		18 AWG	WHITE	W03	C091(-)	05	C11-1	34	9 IN	JUMPER
		18 AWG	WHITE	W03	C091(-)	05	L38-1		5 IN	JUMPER
				C091(-)		N528	C090-2			COMPONENT LEAD
		STRAP 1/2"			C091(+)		GND			MANUFACTURED BUS
				C091(+)		C090-1	J		COMPONENT LEAD	
				C092-1		C093(+)	N528		COMPONENT LEAD	
				C092-2		C093(-)	N528		COMPONENT LEAD	
	18 AWG	WHITE	W03	C093(-)	06	GND	06	7 IN	JUMPER	
				C093(-)		C092-2	J		COMPONENT LEAD	
	18 AWG	WHITE	W03	C093(+)	05	L36-2	34	12 IN	JUMPER	
				C093(+)		C092-1	J		COMPONENT LEAD	
				C094-1		C095(+)	N528		COMPONENT LEAD	
				C094-2		C095(-)	N528		COMPONENT LEAD	
	18 AWG	WHITE	W03	C095(-)	06	CR01(-)	34	4 IN	JUMPER	

FIGURE 2-1. Transmitter Cabinet 1 (Sheet 15 of 53)

WIRE NO	SIZE	COLOR	TYPE	FROM	TERM ²	GEN. ³	TO	TERM ²	GEN. ³	LENGTH	REMARKS				
1228	12 AWG	WHITE	W53	C095(-)	19	N528	A07E1	19	J	20 FT	SEP FORM				
				C095(-)		N269	C094-2					COMPONENT LEAD			
				C095(+)		N528	GND						MANUFACTURED BUS		
				C095(+)		J	C094-1						COMPONENT LEAD		
				C096-1		J	C097(+)						COMPONENT LEAD		
				C096-2		J	C097(-)						COMPONENT LEAD		
				C097(+)	16	N528	C040-1	50					4 IN	JUMPER	
				C097(+)			C096-1							COMPONENT LEAD	
				C097(+)	05	N425	L42-1							8 IN	JUMPER
				C097(-)		N528	GND							MANUFACTURED BUS	
				C097(-)		N528	C096-2							COMPONENT LEAD	
				C098-1		J	C099(+)							COMPONENT LEAD	
C098-2		J	C099(-)							COMPONENT LEAD					
C099(+)		N269	GND							MANUFACTURED BUS					
C099(+)		N528	C098-1							COMPONENT LEAD					
C099(-)	16		C040-3	50						5 IN	JUMPER				
C099(-)	05		L43-1							6 IN	JUMPER				
C099(-)		N528	C098-2	56							COMPONENT LEAD				
C100-1		J	C001-1								COMPONENT LEAD				
C100-2		J	A22R1-2								COMPONENT LEAD				
C101(+)			R10-1	12						22 IN	JUMPER				
C101(+)			R11-2	12						30 IN	JUMPER				
C101(-)			GND	12						7 IN	JUMPER				
C102-1			L12-1								COMPONENT LEAD				
C102-2			L29-1								COMPONENT LEAD				
C104(+)			E29								COMPONENT LEAD				
C104(-)			GND								COMPONENT LEAD				
C106-1			L49-1								COMPONENT LEAD				
C106-2			GND								COMPONENT LEAD				
C107-1			L49-2								COMPONENT LEAD				
C107-2			GND								COMPONENT LEAD				
C108-1			L48-1								COMPONENT LEAD				
C108-2			GND								COMPONENT LEAD				
C109-1			L48-2								COMPONENT LEAD				
C109-2			GND								COMPONENT LEAD				
C110-1			E34								COMPONENT LEAD				
C110-2			GND								COMPONENT LEAD				
C111-1			E35								COMPONENT LEAD				
C111-2			GND								COMPONENT LEAD				
C112-1			E36								COMPONENT LEAD				
C112-2			GND								COMPONENT LEAD				
C113-1			E37								COMPONENT LEAD				
C113-2			GND								COMPONENT LEAD				
C114-1			E38								COMPONENT LEAD				

REV N

WIRE NO	SIZE	COLOR	TYPE ¹	FROM	TERM ² GEN. ³	TO	TERM ² GEN. ³	LENGTH	REMARKS
				C114-2		GND			COMPONENT LEAD
				C115-1		E39	J		COMPONENT LEAD
				C115-2		GND	J		COMPONENT LEAD
				C116-1		E40	J		COMPONENT LEAD
				C116-2		GND	J		COMPONENT LEAD
				C117-1		E41	J		COMPONENT LEAD
				C117-2		GND	J		COMPONENT LEAD
				C118-1		E42	J		COMPONENT LEAD
				C118-2		GND	J		COMPONENT LEAD
				C119-1		E43	J		COMPONENT LEAD
				C119-2		GND	J		COMPONENT LEAD
				C120-1		E44	J		COMPONENT LEAD
				C120-2		GND	J		COMPONENT LEAD
				C121-1		E45	J		COMPONENT LEAD
				C121-2		GND	J		COMPONENT LEAD
				C122-1		E46	J		COMPONENT LEAD
				C122-2		GND	J		COMPONENT LEAD
				C123-1		E47	J		COMPONENT LEAD
				C123-2		GND	J		COMPONENT LEAD
				C124-1		E48	J		COMPONENT LEAD
				C124-2		GND	J		COMPONENT LEAD
				C125-1		E49	J		COMPONENT LEAD
				C125-2		GND	J		COMPONENT LEAD
				C126-1		E50	J		COMPONENT LEAD
				C126-2		GND	J		COMPONENT LEAD
				C127-1		E51	J		COMPONENT LEAD
				C127-2		GND	J		COMPONENT LEAD
				C128-1		E52	J		COMPONENT LEAD
				C128-2		GND	J		COMPONENT LEAD
				C129-1		E53	J		COMPONENT LEAD
				C129-2		GND	J		COMPONENT LEAD
				C135(+)		TB05-02	01		COMPONENT LEAD
				C135(-)		GND	J		COMPONENT LEAD
				C136(+)		TB14-01	J		COMPONENT LEAD
				C136(-)		GND	J		COMPONENT LEAD
				C137(+)		TB06-03	J		COMPONENT LEAD
				C137(-)		GND	J		COMPONENT LEAD
				C138(+)		TB09-01	J		COMPONENT LEAD
				C138(-)		GND	J		COMPONENT LEAD
W43	RG223		W44	CP3-P1		W42-J1-P2		149535-2	IN 3/4 IN BRAID WITH W21, W23, W45
W47	RG223		W44	CP4-P1		W46-J1-P2		149536-1	IN 3/4 IN BRAID WITH W25, W27
W51	RG223		W44	CP5-P1		W50-J1-P2		149536-3	IN 3/4 IN BRAID WITH W29, W31
W55	RG223		W44	CP6-P1		W54-J1-P2		149537-2	IN 3/4 IN BRAID WITH W33, W35
	2/0 AWG	BLACK	W25	CRO1(+)	23	L36-1	22	11	JUMPER

REV N

FIGURE 2-1. Transmitter Cabinet 1 (Sheet 17 of 53)

¹ see table 2-1 ² see table 2-2 ³ see table 2-3

TERM 2	GEN. 3	TO	TERM	LENGTH	REMARKS
27	E	C025-3	25	7	IN RUN IN 5/8 IN BRIT D
15	AF	C025-	13	2	IN SHIELD FOR 1351
34	E	C095(-)	06	4	IN JUMPER
24	E	T1-2-SD	24	9	IN JUMPER
24	E	T1-3-SD	24	9	IN JUMPER
24	E	T1-1-SD	24	7	IN JUMPER
27	E	L17-2	27	5	IN JUMPER
27	E	C040-3	27	1	IN JUMPER
16	E	C084-1	16	12	IN JUMPER
27	E	T2-R1-SD	25	8	IN JUMPER
27	E	T2-R2-SD	27	8	IN JUMPER
27	E	T2-R3-SD	27	8	IN JUMPER
27	E	K1-X2	27	7	IN JUMPER
		K1-X1			COMPONENT LEAD
		K2-X2			COMPONENT LEAD
		K2-X1			COMPONENT LEAD
		K7-X2			COMPONENT LEAD
		K7-X1			COMPONENT LEAD
		E26			COMPONENT LEAD
		A08TB1-16			COMPONENT LEAD
	J	CR31(A)	01	6	IN JUMPER
	J	TB16-07	01	2	FT SEP FORM
	J	CR11(C)	01	2	IN JUMPER
	J	TB16-01	01	2	FT SEP FORM
	J	TB16-08	01	2	FT SEP FORM
	J	CR32(A)		6	IN JUMPER
	J	CR25(C)		2	IN JUMPER
	J	CR10(C)		2	IN JUMPER
	J	L31-2	24	6	IN JUMPER
24	E	C011-1	24	1	IN JUMPER
24	E	T3-R1-SD	24	5	IN JUMPER
24	E	T3-R2-SD	24	9	IN JUMPER
24	E	T3-R3-SD	24	9	IN JUMPER
24	E	E03	24	24	IN JUMPER
		E02			COMPONENT LEAD
		E05			COMPONENT LEAD
		E04			COMPONENT LEAD
		E07			COMPONENT LEAD
		E06			COMPONENT LEAD
		E09			COMPONENT LEAD
		E08			COMPONENT LEAD
		E11			COMPONENT LEAD
		E10			COMPONENT LEAD
		E13			COMPONENT LEAD

REV N

Table 2-3

FIGURE 2-1. Tran

LOR	TYPE	FROM	TERM 2	GEN. 3	TO	TERM 2	GEN. 3	LENGTH	REMARKS
		CR18(C)			E12				COMPONENT LEAD
		CR19(A)			E15				COMPONENT LEAD
		CR19(C)			E14				COMPONENT LEAD
		CR20(A)			E17				COMPONENT LEAD
		CR20(C)			E16				COMPONENT LEAD
		CR21(A)			E19				COMPONENT LEAD
		CR21(C)			E18				COMPONENT LEAD
		CR22(A)			E21				COMPONENT LEAD
		CR22(C)			E20				COMPONENT LEAD
		CR23(A)			E23				COMPONENT LEAD
		CR23(C)			E22				COMPONENT LEAD
		CR24(A)			K5-X2				COMPONENT LEAD
		CR24(C)			K5-X1				COMPONENT LEAD
		CR25(A)	J		CR36(A)	01		4	JUMPER
JS	W36	CR25(A)	J		TB16-09			2	IN FT SEP FORM
HITE	W03	CR25(A)	J		CR11(C)			2	JUMPER
JS	W36	CR25(C)			GND				COMPONENT LEAD
		CR26(A)			E29				COMPONENT LEAD
		CR26(C)			GND				COMPONENT LEAD
		CR27(A)			PS1-7				COMPONENT LEAD
		CR27(C)			GND				COMPONENT LEAD
		CR28(A)			TB04-03				COMPONENT LEAD
		CR28(C)			CR40(A)			6	JUMPER
		CR29(A)	J		TB16-10	08		2	IN FT SEP FORM
US	W36	CR29(A)	J		TB16-03	01		2	FT SEP FORM
HITE	W03	CR29(C)	J		CR34(C)			2	JUMPER
HITE	W03	CR29(C)	J		GND				COMPONENT LEAD
US	W36	CR30(A)			E30				COMPONENT LEAD
		CR30(C)			CR10(A)			6	JUMPER
		CR31(A)	J		CR32(C)			2	IN JUMPER
		CR31(C)	J		TB16-17			2	FT SEP FORM
		CR31(C)	J		CR11(A)	01		6	IN JUMPER
		CR32(A)	J		CR41(C)			2	IN JUMPER
US	W36	CR32(C)	J		CR31(C)			2	IN JUMPER
US	W36	CR32(C)	J		E33				COMPONENT LEAD
US	W36	CR33(A)			GND				COMPONENT LEAD
		CR33(C)			CR37(A)			3	JUMPER
		CR34(A)	J		TB16-12	08		2	IN FT SEP FORM
BUS	W36	CR34(A)	J		CR29(C)			2	IN JUMPER
HITE	W03	CR34(A)	J		CR35(C)			2	IN JUMPER
BUS	W36	CR34(C)	J		CR38(A)			3	IN JUMPER
BUS	W36	CR34(C)	J		TB16-14			18	FT JUMPER
BUS	W36	CR35(A)	J		CR36(C)	01		2	IN JUMPER
BUS	W36	CR35(A)	J		CR34(C)			2	IN JUMPER
WHITE	W03	CR35(C)	J						
BUS	W36	CR35(C)	J						
BUS	W36	CR35(C)	J						

REV N

2 see table 2-2

3 see table 2-3

P 2-1

FIGURE 2-1. Transmitter Cabinet 1 (Sheet 19 of 53)

WIRE NO	SIZE	COLOR	TYPE ¹	FROM	TERM ²	GEN. ³	TO	TERM ²	GEN. ³	LENGTH	REMARKS
	18 AWG	BUS	W36	CR36(A)	J	J	CR43(A)		J	5	JUMPER
	18 AWG	BUS	W36	CR36(C)	J	J	CR35(C)		J	2	JUMPER
	18 AWG	BUS	W36	CR37(A)	J	J	CR39(A)		J	3	JUMPER
	18 AWG	BUS	W36	CR37(A)	J	J	CR34(A)		J	3	JUMPER
	18 AWG	BUS	W36	CR37(C)	J	J	CR38(C)		J	2	JUMPER
1144	18 AWG	WHITE	W03	CR37(C)	J	J	TB16-04	01	J	2	SEP FORM
	18 AWG	BUS	W36	CR38(A)	J	J	CR35(A)		J	3	JUMPER
	18 AWG	BUS	W36	CR38(A)	J	J	CR41(A)		J	7	JUMPER
	18 AWG	BUS	W36	CR38(C)	J	J	CR37(C)		J	2	JUMPER
	18 AWG	BUS	W36	CR39(A)	J	J	CR37(A)		J	3	JUMPER
1145	18 AWG	WHITE	W03	CR39(C)	J	J	TB16-05	08	J	2	SEP FORM
	18 AWG	BUS	W36	CR39(C)	J	J	CR40(C)		J	2	JUMPER
	18 AWG	BUS	W36	CR40(A)	J	J	CR29(A)		J	6	JUMPER
	18 AWG	BUS	W36	CR40(C)	J	J	CR39(C)		J	2	JUMPER
	18 AWG	BUS	W36	CR41(A)	J	J	CR38(A)		J	7	JUMPER
	18 AWG	BUS	W36	CR41(C)	J	J	CR32(C)		J	2	JUMPER
	18 AWG	BUS	W36	CR42(A)	J	J	CR40(A)		J	2	JUMPER
	18 AWG	BUS	W36	CR42(C)	J	J	CR43(C)		J	3	JUMPER
1343	18 AWG	WHITE	W03	CR42(C)	J	J	TB16-18	01	J	2	JUMPER
	18 AWG	BUS	W36	CR43(A)	J	J	CR36(A)		J	5	JUMPER
	18 AWG	BUS	W36	CR43(C)	J	J	CR42(C)		J	2	JUMPER
	18 AWG	BUS	W36	CR44(A)	J	J	E25		J	5	JUMPER
	18 AWG	BUS	W36	CR44(C)	J	J	E24		J	2	JUMPER
	18 AWG	BUS	W36	CR44(C)	J	J	E24		J	2	JUMPER
1577	16 AWG	WHITE	W04	CR45(A)	12	J	A24TB4-18	15	J	10	FT
	16 AWG	WHITE	W04	CR45(C)	12	J	R10-2		J	21	IN
	16 AWG	WHITE	W04	CR46(C)	37	J	R11-1		J	5	IN
				CR47(A)	37	J	GND		J		JUMPER
				CR47(C)	37	J	TB03-04	13	J		JUMPER
				CR48(A)		J	E54		J		COMPONENT LEAD
				CR48(C)		J	E55		J		COMPONENT LEAD
				CR49(A)		J	E57		J		COMPONENT LEAD
				CR49(C)		J	E56		J		COMPONENT LEAD
				CR50(A)		J	E59		J		COMPONENT LEAD
				CR50(C)		J	E58		J		COMPONENT LEAD
W02	RG223		W44	DC1-IN-P2		J	K5-COM-P1		J	149531-1	
W03	RG223		W44	DC1-OUT-P1		J	A01AT6-P2		J	149540-1	
W05	RG223		W44	DC2-A-P1		J	W19-J1-P2		J	149541-1	
W23	RG223		W44	DC3-1-P1		J	W22-J1-P2		J	149532-1	IN 3/4 IN BRAID WITH W21,W43,W45
W21	RG223		W44	DC3-2-P1		J	W22-J1-P2		J	149531-3	IN 3/4 IN BRAID WITH W23,W43,W45
W45	RG223		W44	DC3-4-P1		J	W44-J1-P2		J	149535-3	IN 3/4 IN BRAID WITH W21,W23,W43
W27	RG223		W44	DC4-1-P1		J	W26-J1-P2		J	149532-3	IN 3/4 IN BRAID WITH W25,W47
W25	RG223		W44	DC4-2-P1		J	W24-J1-P2		J	149532-2	IN 3/4 IN BRAID WITH W27,W47
W49	RG223		W44	DC4-4-P1		J	W48-J1-P2		J	149536-2	
W29	RG223		W44	DC5-1-P1		J	W28-J1-P2		J	149533-1	IN 3/4 IN BRAID WITH W31,W51

FIGURE 2-1. Transmitter Cabinet 1 (Sheet 20 of 53)

REV N

¹ see table 2-1 ² see table 2-2 ³ see table 2-3

WIRE NO	SIZE	COLOR	TYPE	FROM	TO	TERM ²	GEN. ³	TERM ²	GEN. ³	LENGTH	REMARKS
W31	RG223		W44	DC5-2-P1	W30-J1-P2					149533-2	IN 3/4 IN BRAID WITH W29,W51
W53	RG223		W44	DC5-3-P1	W52-J1-P2					149537-1	IN 3/4 IN BRAID WITH W35,W55
W33	RG223		W44	DC6-1-P1	W32-J1-P2					149533-3	IN 3/4 IN BRAID WITH W33,W51
W35	RG223		W44	DC6-2-P1	W34-J1-P2					149534-1	IN 3/4 IN BRAID WITH W39,W61
W57	RG223		W44	DC6-3-P1	W56-J1-P2					149537-3	IN 3/4 IN BRAID WITH W37,W61
W37	RG223		W44	DC7-1-P1	W36-J1-P2					149534-2	IN 3/4 IN BRAID WITH W37,W61
W39	RG223		W44	DC7-2-P1	W38-J1-P2					149534-3	IN 3/4 IN BRAID WITH W37,W39
W61	RG223		W44	DC7-3-P1	W60-J1-P2					149538-2	IN 3/4 IN BRAID WITH W41,W65
W59	RG223		W44	DC7-4-P1	W58-J1-P2					149538-1	IN 3/4 IN BRAID WITH W65,W70
W70	RG223		W44	DC8-1-P1	W71-J1-P2					149535-1	IN 3/4 IN BRAID WITH W41,W70
W41	RG223		W44	DC8-2-P1	W40-J1-P2					149538-3	IN 3/4 IN BRAID WITH W41,W70
W63	RG223		W44	DC8-3-P1	W62-J1-P2					149539-1	JUMPER
W65	RG223		W44	DC8-4-P1	W64-J1-P2					3	COMPONENT LEAD
	18 AWG	BUS	W36	E01	R06-2	31				3	COMPONENT LEAD
				E02	L18-1						COMPONENT LEAD
				E02	CR13(C)						COMPONENT LEAD
	18 AWG	WHITE	W03	E02	TB06-01	08				3	JUMPER
				E03	CR13(A)						COMPONENT LEAD
	18 AWG	WHITE	W03	E03	TB06-02	01				3	JUMPER
				E03	L18-2						COMPONENT LEAD
				E04	CR14(C)						COMPONENT LEAD
				E04	L19-1						COMPONENT LEAD
	18 AWG	WHITE	W03	E04	TB06-06	08				3	JUMPER
	18 AWG	WHITE	W03	E04	TB06-07	08				3	JUMPER
				E05	L19-2						COMPONENT LEAD
				E05	CR14(A)		J				COMPONENT LEAD
				E05	CR15(C)		J				COMPONENT LEAD
				E06	L20-1						COMPONENT LEAD
				E06	TB06-11	08				3	JUMPER
	18 AWG	WHITE	W03	E06	TB06-12	08				3	JUMPER
	18 AWG	WHITE	W03	E07	L20-2						COMPONENT LEAD
				E07	CR15(A)		J				COMPONENT LEAD
				E08	CR16(C)		J				COMPONENT LEAD
				E08	L21-1						COMPONENT LEAD
	18 AWG	WHITE	W03	E08	TB06-17	08				3	JUMPER
	18 AWG	WHITE	W03	E08	TB06-18	08				3	JUMPER
				E09	L21-2						COMPONENT LEAD
				E09	CR16(A)		J				COMPONENT LEAD
				E10	CR17(C)		J				COMPONENT LEAD
				E10	L22-1						COMPONENT LEAD
	18 AWG	WHITE	W03	E10	TB07-05	08				3	JUMPER
	18 AWG	WHITE	W03	E10	TB07-06	08				3	JUMPER
				E11	L22-2						COMPONENT LEAD
				E11	CR17(A)		J				COMPONENT LEAD

REV N

FIGURE 2-1. Transmitter Cabinet 1 (Sheet 21 of 53)

WIRE NO	SIZE	COLOR	TYPE	FROM	TERM ² GEN. ³	TO	TERM ² GEN. ³	LENGTH	REMARKS
				E12	J	CR18(C)			COMPONENT LEAD
				E12	J	L23-1			COMPONENT LEAD
	18 AWG	WHITE	W03	E12	J	TB07-10	08	3 IN	JUMPER
	18 AWG	WHITE	W03	E13	J	TB07-11	08	3 IN	JUMPER
				E13	J	L23-2			COMPONENT LEAD
				E13	J	CR18(A)	J		COMPONENT LEAD
				E14	J	CR19(C)	J		COMPONENT LEAD
				E14	J	L24-1			COMPONENT LEAD
	18 AWG	WHITE	W03	E14	J	TB07-17	08	3 IN	JUMPER
	18 AWG	WHITE	W03	E15	J	TB07-18	08	3 IN	JUMPER
				E15	J	L24-2			COMPONENT LEAD
				E15	J	CR19(A)	J		COMPONENT LEAD
				E16	J	CR20(C)	J		COMPONENT LEAD
				E16	J	L25-1			COMPONENT LEAD
	18 AWG	WHITE	W03	E16	J	TB08-02	08	3 IN	JUMPER
	18 AWG	WHITE	W03	E17	J	TB08-03	08	3 IN	JUMPER
				E17	J	L25-2			COMPONENT LEAD
				E17	J	CR20(A)	J		COMPONENT LEAD
				E18	J	CR21(C)	J		COMPONENT LEAD
				E18	J	L26-1			COMPONENT LEAD
	18 AWG	WHITE	W03	E18	J	TB08-05	08	3 IN	JUMPER
	18 AWG	WHITE	W03	E19	J	TB08-06	08	3 IN	JUMPER
				E19	J	L26-2			COMPONENT LEAD
				E19	J	CR21(A)	J		COMPONENT LEAD
				E20	J	CR22(C)	J		COMPONENT LEAD
				E20	J	L27-1			COMPONENT LEAD
	18 AWG	WHITE	W03	E20	J	TB08-10	08	3 IN	JUMPER
	18 AWG	WHITE	W03	E21	J	TB08-11	08	3 IN	JUMPER
				E21	J	L27-2			COMPONENT LEAD
				E21	J	CR22(A)	J		COMPONENT LEAD
				E22	J	CR23(C)	J		COMPONENT LEAD
				E22	J	L28-1			COMPONENT LEAD
	18 AWG	WHITE	W03	E22	J	TB08-17	08	3 IN	JUMPER
	18 AWG	WHITE	W03	E23	J	TB08-18	08	3 IN	JUMPER
				E23	J	L28-2			COMPONENT LEAD
				E23	J	CR23(A)	J		COMPONENT LEAD
				E24	J	CR44(C)	J		COMPONENT LEAD
				E24	J	L50-1			COMPONENT LEAD
	18 AWG	WHITE	W03	E24	J	TB09-04	08	3 IN	JUMPER
	18 AWG	WHITE	W03	E25	J	TB09-05	08	3 IN	JUMPER
				E25	J	L50-2			COMPONENT LEAD
				E25	J	CR44(A)	J		COMPONENT LEAD
	18 AWG	WHITE	W03	E26	J	A01TB6-12	01	15 FT	COMPONENT LEAD
1211				E26	J	CR09(A)			COMPONENT LEAD

REV N

¹ see table 2-1 ² see table 2-2 ³ see table 2-3

FIGURE 2-1. Transmitter Cabinet 1 (Sheet 22 of 53)

WIRE NO	SIZE	COLOR	TYPE	FROM	TERM ² GEN. ³	TO	TERM ² GEN. ³	LENGTH	REMARKS
1288	16 AWG	WHITE	W04	E27	J	A24TB4-18	15	15 FT	
1410	18 AWG	WHITE	W03	E27	J	PS1-1	07	10 FT	
	18 AWG	WHITE	W03	E27	J	PS2-1	07	5 IN	JUMPER COMPONENT LEAD
1411	18 AWG	WHITE	W03	E27	J	C074-1	07	10 FT	
1412	18 AWG	WHITE	W03	E28	J	PS1-2	01	3 FT	JUMPER
	18 AWG	WHITE	W03	E28	J	E31	01	5 IN	COMPONENT LEAD
				E28	J	PS2-2			COMPONENT LEAD
				E28	J	C074-2			COMPONENT LEAD
1040	18 AWG	WHITE	W03	E28	J	CR26(A)	08	28 FT	
1289	14 AWG	WHITE	W05	E29	J	TB05-03	15	15 FT	
1358A	18 AWG	WHITE	W17	E29	J	A24TB4-19	01	20 FT	
1358B	18 AWG	SHIELD		GND	G	A01TB6-11	AA		
	18 AWG	WHITE	W03	E29	J	PS2-6	15	5 IN	JUMPER
				E29	J	CR26(C)	01		COMPONENT LEAD
				E29	J	C073-2			COMPONENT LEAD
				E29	J	C104(+)			COMPONENT LEAD
1190	18 AWG	WHITE	W03	E30	J	A01TB4-18	01	20 FT	
	18 AWG	WHITE	W03	E30	J	PS6-06	02	7 IN	JUMPER
				E30	J	CR30(C)			COMPONENT LEAD
				E30	J	C076-2			COMPONENT LEAD
1412	18 AWG	WHITE	W03	E31	J	E28	02	3 FT	JUMPER
	18 AWG	WHITE	W03	E31	J	PS6-02		6 IN	COMPONENT LEAD
				E31	J	C072-1			JUMPER
	18 AWG	WHITE	W03	E32	J	PS6-01	02	6 IN	COMPONENT LEAD
				E32	J	C072-2			COMPONENT LEAD
1189	18 AWG	WHITE	W03	E33	J	A01TB4-17	01	20 FT	
	18 AWG	WHITE	W03	E33	J	PS6-11	02	8 IN	JUMPER
				E33	J	C075-2			COMPONENT LEAD
				E33	J	CR33(A)			COMPONENT LEAD
				E34	J	C110-1			COMPONENT LEAD
1212	18 AWG	WHITE	W03	E34	J	J02-A	01	3 IN	JUMPER
	18 AWG	WHITE	W03	E34	J	A01TB6-14		15 FT	COMPONENT LEAD
				E35	J	C111-1			JUMPER
1127	18 AWG	WHITE	W03	E35	J	J02-B	08	3 IN	JUMPER
	18 AWG	WHITE	W03	E35	J	TB16-02		10 FT	COMPONENT LEAD
				E36	J	C112-1			JUMPER
1213	18 AWG	WHITE	W03	E36	J	J03-A	01	3 IN	JUMPER
	18 AWG	WHITE	W03	E36	J	A01TB6-15		15 FT	COMPONENT LEAD
				E37	J	C113-1			JUMPER
1147	18 AWG	WHITE	W03	E37	J	J03-B	08	3 IN	JUMPER
	18 AWG	WHITE	W03	E37	J	TB16-06		20 FT	COMPONENT LEAD
				E38	J	C114-1			JUMPER
	18 AWG	WHITE	W03	E38	J	J04-A		3 IN	COMPONENT LEAD

REV N

¹ see table 2-1 ² see table 2-2 ³ see table 2-3

GEN. ³	TO	TERM ²	GEN. ³	MARKS
J	A01TB6-16	01		OMPONENT LEAD
J	C115-1			UMPER
J	J04-B		K	OMPONENT LEAD
J	TB16-14	01		UMPER
J	C116-1			OMPONENT LEAD
J	J11-A		K	UMPER
J	A01TB6-17	01		OMPONENT LEAD
J	C117-1			UMPER
J	J11-B		K	OMPONENT LEAD
J	TB16-01	01		UMPER
J	C118-1			OMPONENT LEAD
J	J12-A		K	UMPER
J	A01TB6-18	01		OMPONENT LEAD
J	C119-1			UMPER
J	J12-B		K	OMPONENT LEAD
J	TB16-06	01		UMPER
J	C120-1			OMPONENT LEAD
J	J13-A		K	UMPER
J	A01TB7-01	01		OMPONENT LEAD
J	C121-1			UMPER
J	J13-B		K	OMPONENT LEAD
J	TB16-14	01		UMPER
J	C122-1			OMPONENT LEAD
J	J14-A		K	UMPER
J	A01TB7-02	01		OMPONENT LEAD
J	C123-1			UMPER
J	J14-B		K	OMPONENT LEAD
J	TB16-17	01		UMPER
J	C124-1			OMPONENT LEAD
J	J15-A		K	UMPER
J	A01TB7-03	01		OMPONENT LEAD
J	C125-1			UMPER
J	J15-B		K	OMPONENT LEAD
J	TB16-18	01		UMPER
J	C126-1			OMPONENT LEAD
J	J16-A		K	UMPER
J	A01TB7-04	01		OMPONENT LEAD
J	C127-1			UMPER
J	J16-B		K	OMPONENT LEAD
J	TB16-13	08		UMPER
J	C128-1			OMPONENT LEAD
J	J17-A		K	UMPER
J	A01TB7-05	01		OMPONENT LEAD
J	C129-1			UMPER

REV N

FIGURE 2-1. Transmitter Cabinet 1 (Sheet 24 of 53)

WIRE NO	SIZE	COLOR	TYPE	FROM	TO	TERM 2	GEN. 3	TERM 2	GEN. 3	LENGTH	REMARKS
1140	18 AWG	WHITE	W03	E53	J17-B	J	J	08	K	3 IN	JUMPER
	18 AWG	WHITE	W03	E53	TB16-16	J	J	07	K	12 FT	JUMPER
	18 AWG	WHITE	W03	E54	TB09-07	J	J		K	6 IN	COMPONENT LEAD
	18 AWG	WHITE	W03	E54	CR48(A)	J	J		K	6 IN	JUMPER
	18 AWG	WHITE	W03	E55	TB09-09	J	J		K	50 IN	COMPONENT LEAD
	18 AWG	WHITE	W03	E55	CR48(C)	J	J		K	50 IN	COMPONENT LEAD
	18 AWG	WHITE	W03	E56	CR49(C)	J	J		K	96 IN	COMPONENT LEAD
	18 AWG	WHITE	W03	E56	TB09-10	J	J		K	66 IN	JUMPER
	18 AWG	WHITE	W03	E57	CR49(A)	J	J		K	96 IN	COMPONENT LEAD
	18 AWG	WHITE	W03	E57	TB09-07	J	J		K	96 IN	JUMPER
	18 AWG	WHITE	W03	E58	E59	J	J		K	149541-2	COMPONENT LEAD
	18 AWG	WHITE	W03	E58	CR50(C)	J	J		K	149543-1	JUMPER
	18 AWG	WHITE	W03	E59	TB09-10	J	J		K	149541-3	COMPONENT LEAD
	18 AWG	WHITE	W03	E59	CR50(A)	J	J		K	149543-2	JUMPER
	18 AWG	WHITE	W03	E59	E57	J	J		K	149542-1	COMPONENT LEAD
	18 AWG	WHITE	W03	E59	K6-J1	J	J		K	149543-3	JUMPER
	18 AWG	WHITE	W03	E59	J02-P2	J	J		K	149544-1	COMPONENT LEAD
	18 AWG	WHITE	W03	E59	K6-J2	J	J		K	149544-2	JUMPER
	18 AWG	WHITE	W03	E59	J03-P2	J	J		K	149544-3	COMPONENT LEAD
	18 AWG	WHITE	W03	E59	K6-J3	J	J		K	149545-1	JUMPER
	18 AWG	WHITE	W03	E59	J04-P2	J	J		K	149545-3	COMPONENT LEAD
	18 AWG	WHITE	W03	E59	J11-P2	J	J		K	149545-2	JUMPER
	18 AWG	WHITE	W03	E59	J12-P2	J	J		K	22 FT	COMPONENT LEAD
	18 AWG	WHITE	W03	E59	J13-P2	J	J		K		JUMPER
	18 AWG	WHITE	W03	E59	J14-P2	J	J		K		COMPONENT LEAD
	18 AWG	WHITE	W03	E59	J16-P2	J	J		K		JUMPER
	18 AWG	WHITE	W03	E59	J15-P2	J	J		K		COMPONENT LEAD
	18 AWG	WHITE	W03	E59	J17-P2	J	J		K		JUMPER
	18 AWG	WHITE	W03	E59	A01TB3-04	J	J		K		COMPONENT LEAD
	18 AWG	WHITE	W03	E59	A01TB3-05	J	J		K		JUMPER
	18 AWG	WHITE	W03	E59	GND	J	J		K		COMPONENT LEAD
	18 AWG	WHITE	W03	E59	A01TB3-06	J	J		K		JUMPER
	18 AWG	WHITE	W03	E59	A01TB3-07	J	J		K		COMPONENT LEAD
	18 AWG	WHITE	W03	E59	GND	J	J		K		JUMPER
	18 AWG	WHITE	W03	E59	A01TB3-08	J	J		K		COMPONENT LEAD
	18 AWG	WHITE	W03	E59	A01TB3-09	J	J		K		JUMPER
	18 AWG	WHITE	W03	E59	GND	J	J		K		COMPONENT LEAD
	18 AWG	WHITE	W03	E59	A01TB3-10	J	J		K		JUMPER
	18 AWG	WHITE	W03	E59	A01TB3-11	J	J		K		COMPONENT LEAD
	18 AWG	WHITE	W03	E59	GND	J	J		K		JUMPER
	18 AWG	WHITE	W03	E59	A01TB3-12	J	J		K		COMPONENT LEAD
	18 AWG	WHITE	W03	E59	A01TB3-13	J	J		K		JUMPER
	18 AWG	WHITE	W03	E59	GND	J	J		K		COMPONENT LEAD
	18 AWG	WHITE	W03	E59	A01TB7-06	J	J		K		JUMPER

REV N

FIGURE 2-1. Transmitter Cabinet 1 (Sheet 25 of 53)

1 see table 2-1 2 see table 2-2 3 see table 2-3

WIRE NO	SIZE	COLOR	TYPE	FROM	TERM ² GEN. ³	TO	TERM ²	GEN. ³	LENGTH	REMARKS
1296B		BLACK		J01-12	K	A01TB7-07	01	G		
1296C		SHIELD				GND	15			
1297A	22 AWG	WHITE	W31	J01-13	AA	A01TB7-08	01	AA	22 FT	
1297B		BLACK		J01-14	K	A01TB7-09	01			
1297C		SHIELD				GND	15			
1298A	22 AWG	WHITE	W31	J01-15	AA	A01TB7-10	01	AA	22 FT	
1298B		BLACK		J01-16	K	A01TB7-11	01			
1298C		SHIELD				GND	15			
1299A	22 AWG	WHITE	W31	J01-17	AA	A01TB7-12	01	AA	22 FT	
1299B		BLACK		J01-18	K	A01TB7-13	01			
1299C		SHIELD				GND	15			
1300A	22 AWG	WHITE	W31	J01-19	AA	A01TB7-14	01	AA	22 FT	
1300B		BLACK		J01-20	K	A01TB7-15	01			
1300C		SHIELD				GND	15			
W09	18 AWG	WHITE	W03	J02-A	K	E34		J	3 IN	JUMPER
	20 AWG	WHITE	W30	J02-P2		FL01J2-P1			149543-1	
	18 AWG	WHITE	W03	J02-B	K	E35		J	3 IN	JUMPER
	18 AWG	WHITE	W22	J02-C		GND	07		3 IN	JUMPER
W10	18 AWG	WHITE	W30	J03-P2	K	FL02J2-P1		J	149543-2	JUMPER
	20 AWG	WHITE	W03	J03-A	K	E36		J	3 IN	JUMPER
	18 AWG	WHITE	W03	J03-B	K	E37		J	3 IN	JUMPER
	18 AWG	WHITE	W03	J03-C	K	GND	07		3 IN	JUMPER
	18 AWG	WHITE	W03	J04-A	K	E38		J	3 IN	JUMPER
W11	20 AWG	WHITE	W30	J04-P2	K	FL03J2-P1		J	149543-3	JUMPER
	18 AWG	WHITE	W03	J04-B	K	E39		J	3 IN	JUMPER
	18 AWG	WHITE	W03	J04-C	K	GND	06		3 IN	JUMPER
	18 AWG	WHITE	W03	J11-A	K	E40		J	3 IN	JUMPER
	18 AWG	WHITE	W03	J11-B	K	E41		J	3 IN	JUMPER
W12	20 AWG	WHITE	W30	J11-P2	K	FL04J1-P1		J	149544-1	JUMPER
	18 AWG	WHITE	W03	J11-C	K	GND	06		3 IN	JUMPER
	18 AWG	WHITE	W03	J12-A	K	E42		J	3 IN	JUMPER
W13	20 AWG	WHITE	W30	J12-P2	K	FL05J1-P1		J	149544-2	JUMPER
	18 AWG	WHITE	W03	J12-B	K	E43		J	3 IN	JUMPER
	18 AWG	WHITE	W03	J12-C	K	GND			3 IN	JUMPER
W14	20 AWG	WHITE	W30	J13-P2	K	FL05J2-P1		J	149544-3	JUMPER
	18 AWG	WHITE	W03	J13-A	K	E44		J	3 IN	JUMPER
	18 AWG	WHITE	W03	J13-B	K	E45		J	3 IN	JUMPER
	18 AWG	WHITE	W03	J13-C	K	GND	07		3 IN	JUMPER
	18 AWG	WHITE	W03	J14-A	K	E46		J	3 IN	JUMPER
W15	20 AWG	WHITE	W30	J14-P2	K	FL07J1-P1		J	149545-1	JUMPER
	18 AWG	WHITE	W03	J14-B	K	E47		J	3 IN	JUMPER
	18 AWG	WHITE	W03	J14-C	K	GND	07		3 IN	JUMPER
	18 AWG	WHITE	W03	J15-C	K	GND			3 IN	JUMPER
W16	20 AWG	WHITE	W30	J15-P2	K	FL08J2-P1		J	149545-2	JUMPER

REV N

¹ see table 2-1 ² see table 2-2 ³ see table 2-3

FIGURE 2-1. Transmitter Cabinet 1 (Sheet 26 of 53)

NO	SIZE	COLOR	TYPE ¹	OM	TERM ²	GEN. ³	TO	TERM	GEN. ²	GEN. ³	LENGTH	REMARKS
A	18 AWG	WHITE	W03	5-A	K	K	E48		J	J	3 IN	JUMPER
B	18 AWG	WHITE	W03	5-B	K	K	E49		J	J	3 IN	JUMPER
C	18 AWG	WHITE	W03	6-A	K	K	E50		J	J	3 IN	JUMPER
A	20 AWG	WHITE	W30	6-P2			FL08J1-P1				149545-3	
B	18 AWG	WHITE	W03	6-B	K	K	E51		J	J	3 IN	JUMPER
C	18 AWG	WHITE	W03	6-C	K	K	GND	07	J	J	3 IN	JUMPER
A	18 AWG	WHITE	W03	7-A	K	K	E52		J	J	3 IN	JUMPER
B	20 AWG	WHITE	W30	7-P2			FL09J1-P1				149546-1	
C	18 AWG	WHITE	W03	7-B	K	K	E53		J	J	3 IN	JUMPER
A	18 AWG	WHITE	W03	7-C	K	K	GND	07	J	J	3 IN	JUMPER
B	20 AWG	WHITE	W30	8-P2			A19-P1		AE	AE	10 FT	
C	18 AWG	WHITE	W29	8-A	K,AE	K,AE	A08TB1-04	01				
A	18 AWG	BLACK	W29	8-B	K	K	A08TB1-06	01				
B	18 AWG	SHIELD	W03	8-C	G	G	A08TB1-05	15	H	H	3 IN	JUMPER
C	18 AWG	WHITE	W03	9-A	K	K	GND	02	AE	AE	10 FT	
A	20 AWG	BLACK	W30	9-B	K,AE	K,AE	A08TB1-07	01				
B	20 AWG	SHIELD	W30	9-C	K	K	A08TB1-09	01				
C	20 AWG	WHITE	W30	9-P2	G	G	A08TB1-08	15	H	H	149558-2	
A	18 AWG	WHITE	W30	10-CT GND	K	K	A17-P1	02				JUMPER
B	12 AWG	WHITE	W53	10-120V			GND	51	J	J	2 FT	
C	12 AWG	WHITE	W53	10-120V			TB17-05	54			22 FT	IN BRAID WITH 1165
A	12 AWG	WHITE	W53	10-120V	AG	AG	J21-120V	14	AG	AG	21 FT	SHIELD FOR 1164,1165
B	3/8 IN	BRAID	W51	10-120V			TB17-	54			20 FT	
C	12 AWG	WHITE	W53	10-COM	J	J	J21-COM	51			22 FT	IN BRAID WITH 1164
A	12 AWG	WHITE	W53	10-COM			TB17-06	54			2 FT	
B	12 AWG	WHITE	W53	10-CT GND			J20 CT GND	54			2 FT	
C	12 AWG	WHITE	W53	11-CT GND			GND	54			2 FT	
A	12 AWG	WHITE	W53	11-COM			J20-COM	54			20 FT	
B	12 AWG	WHITE	W53	11-120V			J20-120V	54			20 FT	
C	12 AWG	WHITE	W53	11-120V			J21 CT GND	54			2 FT	
A	18 AWG	BUS	W36	1-COM	J	J	GND	31	K	K	2 IN	JUMPER
B	18 AWG	BUS	W36	1-NC	J	J	C007-2				3 IN	JUMPER
C	18 AWG	WHITE	W17	1-X1	J	J	K2-X1		J	J	25 FT	
A	18 AWG	SHIELD	W17	1-X1	J	J	GND					COMPONENT LEAD
B	18 AWG	BUS	W36	1-X2	J	J	CR06(C)		J	J	2 IN	JUMPER
C	18 AWG	BUS	W36	1-X2	J	J	GND					COMPONENT LEAD
A	18 AWG	BUS	W36	2-COM	J	J	CR06(A)		J	J	2 IN	JUMPER
B	18 AWG	WHITE	W17	2-NC	J	J	GND	44			3 IN	JUMPER
C	18 AWG	WHITE	W17	2-X1	J	J	C021-2	08			20 FT	TOP SIDE
A	18 AWG	SHIELD	W17	2-X1	J	J	TB16-02					
B	18 AWG	WHITE	W17	2-X1	J	J	K1-X1		J	J	25 FT	
C	18 AWG	SHIELD	W17	2-X1	J	J						

FIGURE 2-1. Transmitter Cabinet 1 (Sheet 27 of 53)

REV N

³ see table 2-3

¹ see table 2-1 ² see table 2-2

NO	SIZE	COLOR	TYPE	FROM	TERM ² GEN. ³	TO	TERM ² GEN. ³	REMARKS
	18 AWG	BUS	W36	K2-X1	J	CR07(C)	J	COMPONENT LEAD
				K2-X2	J	GND		JUMPER
				K2-X2	J	CR07(A)		COMPONENT LEAD
	22 AWG	WHITE	W01	K3-1	J	K4-1	08	TOP SIDE
	22 AWG	WHITE	W01	K3-1	J	TB16-07		
	22 AWG	WHITE	W01	K3-2	J	K4-2	08	TOP SIDE
	22 AWG	WHITE	W01	K3-2	J	TB16-08		
	22 AWG	WHITE	W01	K3-3	J	K4-3	08	TOP SIDE
	22 AWG	WHITE	W01	K3-3	J	TB16-09		
	22 AWG	WHITE	W01	K3-4	J	K4-4	01	
	22 AWG	WHITE	W01	K3-4	J	TB16-11		
	22 AWG	WHITE	W01	K3-5	J	K4-5	08	TOP SIDE
	22 AWG	WHITE	W01	K3-5	J	TB16-13		
	22 AWG	WHITE	W01	K3-6	J	K4-6	08	
	22 AWG	WHITE	W01	K3-6	J	TB16-15		
	22 AWG	WHITE	W01	K3-COM	J	GND		JUMPER
	RG223		W44	K3-J1-P1		W21-P2		
	RG223		W44	K3-J2-P1		W25-P2		
	RG223		W44	K3-J3-P1		W29-P2		
	RG223		W44	K3-J4-P1		W33-P2		
	RG223		W44	K3-J5-P1		W37-P2		
	RG223		W44	K3-J6-P1		W41-P2		
	RG223		W44	K3-J7-P1		W67-J1		
	22 AWG	WHITE	W01	K4-1	J	K3-1	J	
	22 AWG	WHITE	W01	K4-2	J	K3-2	J	
	22 AWG	WHITE	W01	K4-3	J	K3-3	J	
	22 AWG	WHITE	W01	K4-4	J	K3-4	J	
	22 AWG	WHITE	W01	K4-5	J	K3-5	J	
	22 AWG	WHITE	W01	K4-6	J	K3-6	J	
	22 AWG	WHITE	W01	K4-COM	J	GND		JUMPER
	RG223		W44	K4-J1-P1		W43-P2		
	RG223		W44	K4-J2-P1		W47-P2		
	RG223		W44	K4-J3-P1		W51-P2		
	RG223		W44	K4-J4-P1		W55-P2		
	RG223		W44	K4-J5-P1		W59-P2		
	RG223		W44	K4-J6-P1		W63-P2		
	RG223		W44	K4-J7-P1		W66-J1		
	RG223		W44	K5-COM-P1		DC1-IN-P2		
	RG223		W44	K5-NC-P1		W01J1	J	COMPONENT LEAD
	18 AWG	WHITE	W03	K5-X1	J	A25S2-C1		JUMPER
				K5-X1	J	CR24(C)		COMPONENT LEAD
	18 AWG	WHITE	W03	K5-X2	J	GND		
	RG223		W44	K5-X2	J	CR24(A)		
				K6-J1-P1		FL01J1-P2		

REV N

WIRE NO	SIZE	COLOR	TYPE ¹	FROM	TERM ² GEN. ³	TO	TERM ²	GEN. ²	LENGTH	REMARKS
W07	RG223		W44	K6-J2-P1		FL02J1-P2			149541-3	
W08	RG223		W44	K6-J3-P1		FL03J1-P2			149542-1	
W19	RG223		W44	K6-J4-P1		W19-J1			149547-1	
1126	18 AWG	WHITE	W03	K6TB1-1	42	TB16-02	01		10 FT	TOP SIDE
1139	18 AWG	WHITE	W03	K6TB1-2	42	TB16-16	01		10 FT	
1128	18 AWG	WHITE	W03	K6TB1-3	42	TB16-05	01		10 FT	
1385	18 AWG	WHITE	W03	K7-A1	06	R08-2		J	4 IN	JUMPER
1354	18 AWG	WHITE	W03	K7-A2	06	TB17-07	05		25 FT	
	18 AWG	WHITE	W03	K7-X1	06	TB21-03	08		30 FT	
	18 AWG	WHITE	W03	K7-X1		CR08(C)				COMPONENT LEAD
	18 AWG	WHITE	W03	K7-X2	07	GND		J	4 IN	JUMPER
	18 AWG	WHITE	W03	K7-X2		CR08(A)				COMPONENT LEAD
	12 AWG	BUS	W33	L01-1	31	C045-2				COMPONENT LEAD
	12 AWG	BUS	W33	L01-2	30	R02-1	30		7 IN	JUMPER
	12 AWG	BUS	W33	L02-1	30	L03-2	30		10 IN	JUMPER
	12 AWG	BUS	W33	L02-2	30	C013-1	30		4 IN	JUMPER
	12 AWG	BUS	W33	L03-1	30	C006-2	30		7 IN	JUMPER
	16 AWG	BUS	W35	L03-2	30	L02-1	30		5 IN	JUMPER
	18 AWG	BUS	W36	L03-2	37	C007-1	37		5 IN	JUMPER
	18 AWG	BUS	W36	L06-1	42	XV2-GRID	42		5 IN	JUMPER
	18 AWG	BUS	W36	L06-2	42	C48-1	42		2 IN	JUMPER
	RG223	SHIELD	W44	L07-1	06	R04-1		J,B	12 IN	COMPONENT LEAD
	18 AWG	BUS	W36	L07-2	42	L33-1	42		6 IN	JUMPER
	18 AWG	BUS	W36	L12-1	37	GND				COMPONENT LEAD
	18 AWG	BUS	W36	L12-1	42	XV3-GRID	42		3 IN	JUMPER
	RG223	SHIELD	W44	L12-2	06	C102-1	05	B	12 IN	JUMPER
	18 AWG	BUS	W36	L13-1	31	C050-1	37		6 IN	JUMPER
	8 AWG	WHITE	W26	L13-2	32	L52-2	31	E	24 IN	JUMPER
	8 AWG	WHITE	W26	L16-1	35	GND	32	B	9 IN	JUMPER
	4/0 AWG	BLACK	W03	L17-1	27	R06-1	27	E	15 IN	JUMPER
	18 AWG	WHITE	W03	L17-1	34	C034-2		J	7 IN	JUMPER
	4/0 AWG	BLACK	W25	L17-2	27	R34-2	27	E	16 IN	JUMPER
	18 AWG	WHITE	W03	L17-2	34	C040-1		J	10 IN	JUMPER
	18 AWG	WHITE	W03	L17-2	34	L48-1	27	E	16 IN	JUMPER
	18 AWG	WHITE	W03	L18-1	34	CR02(+)		J	10 IN	JUMPER
	18 AWG	WHITE	W03	L18-2	34	L49-1		J	10 IN	JUMPER
	18 AWG	WHITE	W03	L19-1		E02		J		COMPONENT LEAD
	18 AWG	WHITE	W03	L19-2		E03		J		COMPONENT LEAD
	18 AWG	WHITE	W03	L20-1		E04		J		COMPONENT LEAD
	18 AWG	WHITE	W03	L20-2		E05		J		COMPONENT LEAD
	18 AWG	WHITE	W03	L21-1		E06		J		COMPONENT LEAD
	18 AWG	WHITE	W03	L21-2		E07		J		COMPONENT LEAD
	18 AWG	WHITE	W03	L21-2		E08		J		COMPONENT LEAD
	18 AWG	WHITE	W03	L21-2		E09		J		COMPONENT LEAD

REV N

¹ see table 2-1

² see table 2-2

³ see table 2-3

FIGURE 2-1. Transmitter Cabinet 1 (Sheet 29 of 53)

WIRE NO	SIZE	COLOR	TYPE	FROM	TERM ² GEN. ³	TO	TERM ²	GEN. ³	LENGTH	REMARKS
				L22-1		E10		J		COMPONENT LEAD
				L22-2		E11		J		COMPONENT LEAD
				L23-1		E12		J		COMPONENT LEAD
				L23-2		E13		J		COMPONENT LEAD
				L24-1		E14		J		COMPONENT LEAD
				L24-2		E15		J		COMPONENT LEAD
				L25-1		E16		J		COMPONENT LEAD
				L25-2		E17		J		COMPONENT LEAD
				L26-1		E18		J		COMPONENT LEAD
				L26-2		E19		J		COMPONENT LEAD
				L27-1		E20		J		COMPONENT LEAD
				L27-2		E21		J		COMPONENT LEAD
				L28-1		E22		J		COMPONENT LEAD
				L28-2		E23		J		COMPONENT LEAD
				L29-1		C102-2		J		COMPONENT LEAD
				L29-2		R09-1	42		5	JUMPER
	18 AWG	BUS	W36	L31-1		C011-3	21		11	JUMPER
	2/0 AWG	BLACK	W24	L31-1	E	L46-1			11	JUMPER
	18 AWG	WHITE	W03	L31-2		CR12(+)	24		16	JUMPER
	2/0 AWG	BLACK	W24	L31-2	E	L47-1			7	JUMPER
	18 AWG	WHITE	W03	L31-2		C004-2				COMPONENT LEAD
				L32-1		C45-2				COMPONENT LEAD
				L32-2		L07-2	06		12	JUMPER
	RG223		W44	L33-1	J,B					
				GND	J					
				L33-2		C018-2		J		COMPONENT LEAD
	18 AWG	BUS	W36	L34-1		C048-1	42		3	JUMPER
	18 AWG	BUS	W36	L34-2		C019-1	42		5	JUMPER
	18 AWG	BUS	W36	L35-1		C050-1	42		2	JUMPER
	18 AWG	BUS	W36	L35-2		C033-1	42		3	JUMPER
	18 AWG	WHITE	W03	L36-1		L44-1			10	JUMPER
	2/0 AWG	BLACK	W24	L36-1	E	CR01(+)	23		11	JUMPER
	18 AWG	WHITE	W03	L36-2		L45-1	25		9	JUMPER
	4/0 AWG	BLACK	W25	L36-2	E	C025-1	13		43	RUN IN 5/8" BRAID SHIELD FOR 1349
1349	5/8" IN	BRAID	W40	L36-2	AF	C025-	05		12	JUMPER
	18 AWG	WHITE	W03	L36-2		C93(+)				MANUFACTURED BUS
	1/4" BUS			L37-1		C066-2				MANUFACTURED BUS
	1/4" BUS			L37-2		C034-1				JUMPER
	18 AWG	WHITE	W03	L38-1		C091(-)	05	J	5	COMPONENT LEAD
				L38-1		C041-2				
	18 AWG	WHITE	W29	L39-2	J,AE	A01TB5-10	01	AE	25	FT
1199A				L38-2		A01TB5-11	01			
1199B				GND		GND	15	G		COMPONENT LEAD
1199C				L38-2		C012-1		J		
	18 AWG	WHITE	W03	L39-1		C089(+)	05		6	JUMPER

REV N

FIGURE 2-1. Transmitter Cabinet 1 (Sheet 30 of 53)

¹ see table 2-1 ² see table 2-2 ³ see table 2-3

WIRE NO	SIZE	COLOR	TYPE ¹	FROM	TERM ² GEN. ³	TO	TERM ²	GEN. ³	LENGTH	REMARKS
	18 AWG	WHITE	W03	L39-1	J	C031-1		J		COMPONENT LEAD
				L39-2	J	C026-1		J		COMPONENT LEAD
	18 AWG	WHITE	W03	L40-1	J	C025-1	34	J	6 IN	JUMPER
				L40-1	J	C044-1		J		COMPONENT LEAD
1200A	18 AWG	WHITE	W29	L40-2	J,AE	A01TB5-12	01	AE	25 FT	
1200B		BLACK		L41-2	J	A01TB5-13	01	J		
1200C		SHIELD				GND	15	G		
	18 AWG	WHITE	W03	L40-2	J	C060-1		J		COMPONENT LEAD
				L41-1	J	C025-3	34	J	6 IN	JUMPER
				L41-1	J	C059-1		J		COMPONENT LEAD
	18 AWG	WHITE	W03	L41-2	J	C061-1		J		COMPONENT LEAD
				L42-1	J	C097(+)	05	J	8 IN	JUMPER
				L42-1	J	C062-1		J		COMPONENT LEAD
1201A	18 AWG	WHITE	W29	L42-2	J,AE	A01TB5-14	01	AE	35 FT	
1201B		BLACK		L43-2	J	A01TB5-15	01	J		
1201C		SHIELD				GND	15	G		
	18 AWG	WHITE	W03	L42-2	J	C064-1		J		COMPONENT LEAD
				L43-1	J	C099(-)	05	J	6 IN	JUMPER
				L43-1	J	C063-1		J		COMPONENT LEAD
				L43-2	J	C065-1		J		COMPONENT LEAD
				L44-1	J	C055-1		J		COMPONENT LEAD
1359A	18 AWG	WHITE	W03	L44-1	J	L36-1	34	J	10 IN	JUMPER
1359B	18 AWG	WHITE	W29	L44-2	J,AE	A01TB8-03	01	AE	20 FT	
1359C		BLACK		L45-2	J	A01TB8-04	01	J		
		SHIELD				GND	15	G		
	18 AWG	WHITE	W03	L44-2	J	C056-1		J		COMPONENT LEAD
				L45-1	J	L36-2	34	J	9 IN	JUMPER
				L45-1	J	C057-1		J		COMPONENT LEAD
	18 AWG	WHITE	W03	L45-2	J	C058-1		J		COMPONENT LEAD
				L46-1	J	L31-1	34	J	11 IN	JUMPER
				L46-1	J	C079-1		J		COMPONENT LEAD
1380A	18 AWG	WHITE	W29	L47-2	J,AE	A01TB8-01	01	AE	20 FT	
1380B		WHITE		L46-2	J	A02TB8-02	01	J		
1380C		SHIELD				GND	15	G		
	18 AWG	WHITE	W03	L46-2	J	C077-1		J		COMPONENT LEAD
				L47-1	J	C080-1		J		COMPONENT LEAD
	18 AWG	WHITE	W03	L47-1	J	L31-2	04	J	7 IN	JUMPER
				L47-2	J	C078-1		J		COMPONENT LEAD
	18 AWG	WHITE	W03	L48-1	J	L17-1	34	J	7 IN	JUMPER
				L48-1	J	C108-1		J		COMPONENT LEAD
1360A	18 AWG	WHITE	W29	L49-2	J,AE	A01TB8-05	01	AE	25 FT	
1360B		BLACK		L48-2	J	A01TB8-06	01	J		
1360C		SHIELD				GND	15	G		
				L48-2	J	C109-1		J		COMPONENT LEAD

REV N

FIGURE 2-1. Transmitter Cabinet 1 (Sheet 31 of 53)

¹ see table 2-1 ² see table 2-2 ³ see table 2-3

WIRE NO	SIZE	COLOR	TYPE	FROM	TERM 2 GEN. 3	TO	TERM 2 GEN. 3	LENGTH	REMARKS
	18 AWG	WHITE	W03	L49-1	J	L17-2	34	10	JUMPER
				L49-1		C106-1			COMPONENT LEAD
				L49-2		C107-1			COMPONENT LEAD
				L50-1		E24			COMPONENT LEAD
				L50-2		E25			COMPONENT LEAD
	RG223		W44	L52-2	B	L13-1	06	12	JUMPER
		SHIELD		GND					
	20 AWG	WHITE	W02	MT01-1	J, AA	TB06-03	08	7	JUMPER
	20 AWG	WHITE	W02	MT01-2	J, AA	TB06-04	08	7	JUMPER
	20 AWG	WHITE	W02	MT01-3	J, AA	TB06-05	08	7	JUMPER
	20 AWG	WHITE	W02	MT02-1	J, AA	TB06-08	08	7	JUMPER
	20 AWG	WHITE	W02	MT02-2	J, AA	TB06-09	08	7	JUMPER
	20 AWG	WHITE	W02	MT02-3	J, AA	TB06-10	08	7	JUMPER
	20 AWG	WHITE	W02	MT03-1	J, AA	TB06-13	08	7	JUMPER
	20 AWG	WHITE	W02	MT03-2	J, AA	TB06-14	08	7	JUMPER
	20 AWG	WHITE	W02	MT03-3	J, AA	TB06-15	08	7	JUMPER
	20 AWG	WHITE	W02	MT04-1	J, AA	TB07-02	08	7	JUMPER
	20 AWG	WHITE	W02	MT04-2	J, AA	TB07-03	08	7	JUMPER
	20 AWG	WHITE	W02	MT04-3	J, AA	TB07-04	08	7	JUMPER
	20 AWG	WHITE	W02	MT05-1	J, AA	TB07-07	01	7	JUMPER
	20 AWG	WHITE	W02	MT05-2	J, AA	TB07-08	01	7	JUMPER
	20 AWG	WHITE	W02	MT05-3	J, AA	TB07-09	01	7	JUMPER
	20 AWG	WHITE	W02	MT06-1	J, AA	TB07-13	01	7	JUMPER
	20 AWG	WHITE	W02	MT06-2	J, AA	TB07-14	08	7	JUMPER
	20 AWG	WHITE	W02	MT06-3	J, AA	TB07-15	08	7	JUMPER
	20 AWG	WHITE	W02	MT07-1	J, AA	TB07-19	08	7	JUMPER
	20 AWG	WHITE	W02	MT07-2	J, AA	TB07-20	01	7	JUMPER
	20 AWG	WHITE	W02	MT07-3	J, AA	TB08-01	08	7	JUMPER
	20 AWG	WHITE	W02	MT08-1	J, AA	TB07-19	08	7	JUMPER
	20 AWG	WHITE	W02	MT08-2	J, AA	TB07-20	01	7	JUMPER
	20 AWG	WHITE	W02	MT08-3	J, AA	TB08-04	08	7	JUMPER
	20 AWG	WHITE	W02	MT09-1	J, AA	TB08-07	08	7	JUMPER
	20 AWG	WHITE	W02	MT09-2	J, AA	TB08-06	08	7	JUMPER
	20 AWG	WHITE	W02	MT09-3	J, AA	TB08-08	01	7	JUMPER
	20 AWG	WHITE	W02	MT10-1	J, AA	TB08-13	01	7	JUMPER
	20 AWG	WHITE	W02	MT10-2	J, AA	TB08-11	08	7	JUMPER
	20 AWG	WHITE	W02	MT10-3	J, AA	TB08-15	01	7	JUMPER
	20 AWG	WHITE	W02	MT11-1	J, AA	TB09-01	08	7	JUMPER
	20 AWG	WHITE	W02	MT11-2	J, AA	TB09-02	01	7	JUMPER
	20 AWG	WHITE	W02	MT11-3	J, AA	TB09-03	01	7	JUMPER
	20 AWG	WHITE	W02	MT12-1	J, AA	TB05-02	01	3	FT
	20 AWG	WHITE	W02	MT12-2	J, AA	TB05-03	01	3	FT
	20 AWG	WHITE	W02	MT12-3	J, AA	TB05-01	08	3	FT
	20 AWG	WHITE	W02	MT13-1	J, AA	TB05-02	08	3	FT

1558
1559
1560
1561

WIRE NO	SIZE	COLOR	TYPE	FROM	TERM ²	GEN. ³	TO	TERM ²	GEN. ³	LENGTH	REMARKS
1562	20 AWG	WHITE	W02	MT13-2		J, AA	TB05-03	01		3 FT	
1563	20 AWG	WHITE	W02	MT13-3		J, AA	TB05-04	01		3 FT	
1564	20 AWG	WHITE	W02	MT14-1		J, AA	TB05-10	08		3 FT	
1565	20 AWG	WHITE	W02	MT14-2		J, AA	TB05-11	08		3 FT	
1566	20 AWG	WHITE	W02	MT14-3		J, AA	TB05-12	01		3 FT	
1567	20 AWG	WHITE	W02	MT15-1		J, AA	TB05-10	01		3 FT	
1568	20 AWG	WHITE	W02	MT15-2		J, AA	TB05-11	01		3 FT	
1569	20 AWG	WHITE	W02	MT15-3		J, AA	TB05-13	01		3 FT	
			W02	MT16-1		J, AA	TB10-01	08		10 IN	JUMPER
			W02	MT16-2		J, AA	TB10-02	08		10 IN	JUMPER
			W02	MT16-3		J, AA	TB10-03	08		10 IN	JUMPER
			W02	MT17-1		J, AA	TB14-01	01		10 IN	JUMPER
			W02	MT17-2		J, AA	TB14-02	01		10 IN	JUMPER
			W02	MT17-3		J, AA	TB14-03	01		10 IN	JUMPER
1570	20 AWG	WHITE	W02	MT18-1		J, AA	TB05-17	01		3 FT	
1571	20 AWG	WHITE	W02	MT18-2		J, AA	TB05-18	01		3 FT	
1572	20 AWG	WHITE	W02	MT18-3		J, AA	TB05-19	01		3 FT	
1573	20 AWG	WHITE	W02	MT19-1		J, AA	TB05-17	01		3 FT	
1574	20 AWG	WHITE	W02	MT19-2		J, AA	TB05-18	01		3 FT	
1575	20 AWG	WHITE	W02	MT19-3		J, AA	TB05-20	01		3 FT	
			W02	MT20-1		J, AA	TB09-06	01		13 IN	JUMPER
			W02	MT20-2		J, AA	TB09-07	01		13 IN	JUMPER
			W02	MT20-3		J, AA	TB09-08	01		13 IN	JUMPER
			W02	MT21-1		J, AA	TB08-12	08		7 IN	JUMPER
			W02	MT21-2		J, AA	TB08-14	08		7 IN	JUMPER
			W02	MT21-3		J, AA	TB08-09	01		7 IN	JUMPER
1166	18 AWG	WHITE	W03	PS1-1	07		TB17-07	05		20 FT	
1410	18 AWG	WHITE	W03	PS1-1	07		E27		J	10 FT	
1167	18 AWG	WHITE	W03	PS1-2	07		TB17-08	05		20 FT	
1411	18 AWG	WHITE	W03	PS1-2	07		E28		J	10 FT	
1178	18 AWG	WHITE	W03	PS1-3	01		A01TB3-17	01		15 FT	
1118	18 AWG	WHITE	W03	PS1-3	07		TB10-02	01		4 FT	
			W36	PS1-3		J	PS1-4		J	1 IN	JUMPER
			W36	PS1-4		J	PS1-3		J	1 IN	JUMPER
1179	18 AWG	WHITE	W03	PS1-4	01		A01TB3-18	06		15 FT	
			W36	PS1-4		J	PS1-5		J	1 IN	JUMPER
			W03	PS1-4		J	GND		J	7 IN	JUMPER
1047	18 AWG	WHITE	W03	PS1-5	07		TB06-02	01		30 FT	
			W36	PS1-5	01		PS1-4		J	1 IN	JUMPER
1027	14 AWG	WHITE	W05	PS1-5	15		TB04-02	15		15 FT	
1177	18 AWG	WHITE	W03	PS1-6	07		A01TB4-14	01		15 FT	
1176	18 AWG	WHITE	W03	PS1-6	07		A01TB4-13	01		15 FT	
			W03	PS1-6	01		PS1-7		J	1 IN	JUMPER
1284	12 AWG	WHITE	W53	PS1-7	20		A24TB3-15	20		10 FT	

REV N

¹ see table 2-1 ² see table 2-2 ³ see table 2-3

FIGURE 2-1. Transmitter Cabinet 1 (Sheet 33 of 53)

NO	SIZE	COLOR	TYPE	FROM	RM ²	GEN. ³	TO	TERM ²	GEN. ³	LENGTH	REMARKS	
	18	AWG	WHITE	W03		J	S39-COM		J	15	FT	COMPONENT LEAD
	18	AWG	WHITE	W03		J	CR27(C)	01	J	1	IN	JUMPER
	18	AWG	WHITE	W03		J	PS1-6		J	5	IN	JUMPER
	18	AWG	WHITE	W03		J	E27	09	J	5	IN	JUMPER
	18	AWG	WHITE	W03		J	PS6-01		J	5	IN	JUMPER
	18	AWG	WHITE	W03		J	E28		J	5	IN	JUMPER
	18	AWG	WHITE	W03		J	GND	01	J	1	IN	JUMPER
	18	AWG	BUS	W36		J	PS2-4		J	5	IN	JUMPER
	18	AWG	WHITE	W03		J	GND		J	1	IN	JUMPER
	18	AWG	BUS	W36		J	PS2-5		J	1	IN	JUMPER
	18	AWG	BUS	W36		J	PS2-3		J	1	IN	JUMPER
	18	AWG	BUS	W36		J	PS2-4		J	1	IN	JUMPER
	18	AWG	BUS	W36		J	PS2-5		J	1	IN	JUMPER
	18	AWG	WHITE	W03		J	PS2-6		J	5	IN	JUMPER
	18	AWG	BUS	W36		J	E29		J	11	IN	JUMPER
	18	AWG	BUS	W36		J	PS2-7		J	11	IN	JUMPER
	18	AWG	BUS	W36		J	PS2-6		J	11	IN	JUMPER
	18	AWG	BUS	W36		J	PS2-7		J	11	IN	JUMPER
	18	AWG	WHITE	W17		AA	C005-2	05	AA	20	FT	
	18	AWG	WHITE	W17		G	GND	15	G			
	18	AWG	SHIELD	W17		AA	A09TB1-01	01	AA	12	FT	
	18	AWG	WHITE	W17		AA	PS3E2		AA	12	FT	
	18	AWG	SHIELD	W17		G	GND		AA	12	FT	
	18	AWG	WHITE	W17		AA	PS3E3	01	AA	12	FT	
	18	AWG	SHIELD	W17		G	GND		AA	12	FT	
	18	AWG	WHITE	W17		AA	PS3E4	01	AA	12	FT	
	18	AWG	SHIELD	W17		G	GND		AA	12	FT	
	18	AWG	WHITE	W17		AA	PS3E5		J,AA	12	FT	
	18	AWG	SHIELD	W17		G	GND		J,AA	12	FT	
	18	AWG	WHITE	W17		AA	PS3E6		J,AA	12	FT	
	18	AWG	SHIELD	W17		G	GND		J,AA	12	FT	
	18	AWG	WHITE	W17		AA	PS3E7		J,AA	12	FT	
	18	AWG	SHIELD	W17		G	GND		AA	20	FT	
	18	AWG	WHITE	W17		AA	PS3E8	01	AA	20	FT	
	18	AWG	SHIELD	W17		G	GND	15	G			
	18	AWG	WHITE	W07		AA	A01TB8-07	01	AA	12	FT	
	18	AWG	WHITE	W07		AA	PS3TB1-01	01	AA	12	FT	
	18	AWG	WHITE	W07		AA	PS3TB1-02	01	AA	12	FT	
	18	AWG	WHITE	W07		AA	PS3TB1-03	01	AA	12	FT	
	18	AWG	WHITE	W07		AA	PS3TB1-04	01	AA	10	FT	
	12	AWG	WHITE	W07		AA	PS3TB1-04	20	AA	15	FT	
	18	AWG	WHITE	W07		AA	PS3TB1-05	01	AA	10	FT	
	18	AWG	WHITE	W07		AA	PS3TB1-05	01	AA	15	FT	
	18	AWG	WHITE	W07		AA	PS3TB1-05	01	AA	15	FT	
	18	AWG	WHITE	W07		AA	PS3TB1-06	08	AA	15	FT	
	18	AWG	WHITE	W07		AA	PS3TB1-06	01	AA	10	FT	
	18	AWG	WHITE	W07		AA	PS3TB1-06	01	AA	15	FT	
	18	AWG	WHITE	W17		AA	PS3TB1-07	01	AA	15	FT	
	18	AWG	SHIELD	W17		AA	GND	15	G			
	18	AWG	WHITE	W17		AA	C019-2	15	J,AA	20	FT	
	18	AWG	SHIELD	W17		G	GND	15	G			

REV N

¹ see table 2-1 ² see table 2-2 ³ see table 2-3

WIRE NO	SIZE	COLOR	TYPE	FROM	TERM ²	GEN. ³	TO	TERM ²	GEN. ³	LENGTH	REMARKS
1516A	18 AWG	WHITE	W17	PS4E2	06	AA	A09E4		J,AA	15	FT
1516B		SHIELD		GND	38	G					
1517A	18 AWG	WHITE	W17	PS4E3	06	AA	A09E5		J,AA	15	FT
1517B		SHIELD		GND	38	G					
1518A	18 AWG	WHITE	W17	PS4E4	13	AA	A09E6		J,AA	15	FT
1518B		SHIELD		GND	38	G					
1367A	18 AWG	WHITE	W17	PS4E5	06	AA	A01TB8-08	01	AA	20	FT
1367B		SHIELD		GND	14	G		15	G		
1475	18 AWG	WHITE	W07	PS4TB1-01	01		A09TB1-10	01		20	FT
1476	18 AWG	WHITE	W07	PS4TB1-02	01		A09TB1-11	01		20	FT
1477	18 AWG	WHITE	W07	PS4TB1-03	01		A09TB1-12	01		20	FT
1415	18 AWG	WHITE	W07	PS4TB1-04	01		PS3TB1-04	01		10	FT
1418	18 AWG	WHITE	W07	PS4TB1-04	08		PS5TB1-04	08		15	FT
1416	18 AWG	WHITE	W07	PS4TB1-05	01		PS3TB1-05	01		10	FT
1419	18 AWG	WHITE	W07	PS4TB1-05	01		PS5TB1-05	01		15	FT
1463	18 AWG	WHITE	W07	PS4TB1-06	01		PS3TB1-06	08		10	FT
1420	18 AWG	WHITE	W07	PS4TB1-06	01		PS5TB1-06	08		15	FT
1193A	18 AWG	WHITE	W17	PS4TB1-07	01		A01TB5-04	01		15	FT
1193B		SHIELD					GND	15	G		
1365A	18 AWG	WHITE	W17	PS5E1	06	AA	C033-2	05	AA	20	FT
1365B		SHIELD		GND	42	G		15	G		
1519A	18 AWG	WHITE	W17	PS5E2	06	AA	A09E7		J,AA	10	FT
1519B		SHIELD		GND	38	G					
1520A	18 AWG	WHITE	W17	PS5E3	06	AA	A09E8		J,AA	10	FT
1520B		SHIELD		GND	38	G					
1521A	18 AWG	WHITE	W17	PS5E4	06	AA	A09E9		J,AA	10	FT
1521B		SHIELD		GND	38	G					
1368A	18 AWG	WHITE	W17	PS5E5	06	AA			AA	14	FT
1368B		SHIELD		GND	14	G	A01TB8-09	01	G		
1483	18 AWG	WHITE	W03	PS5TB1-01	01		A09TB1-19	15		18	FT
1482	18 AWG	WHITE	W03	PS5TB1-02	01		A09TB1-18	01		18	FT
1481	18 AWG	WHITE	W03	PS5TB1-03	01		A09TB1-17	01		15	FT
1418	18 AWG	WHITE	W03	PS5TB1-04	03		PS4TB1-04	08		15	FT
1419	18 AWG	WHITE	W03	PS5TB1-05	01		PS4TB1-05	01		15	FT
1420	18 AWG	WHITE	W03	PS5TB1-06	08		PS4TB1-06	01		15	FT
1194A	18 AWG	WHITE	W17	PS5TB1-07	01	AA	A01TB5-05	01	AA	15	FT
1194B		SHIELD					GND	15	G		
	18 AWG	WHITE	W03	PS6-01	09		PS2-1	09		5	IN JUMPER
	18 AWG	WHITE	W03	PS6-01	02		E32		J	6	IN JUMPER
	18 AWG	BUS	W36	PS6-10		J	PS6-09		J	1	IN JUMPER
	18 AWG	BUS	W36	PS6-11		J	PS6-12		J	1	IN JUMPER
	18 AWG	WHITE	W03	PS6-11	02	J	E33		J	8	IN JUMPER
	18 AWG	BUS	W36	PS6-12		J	PS6-11		J	1	IN JUMPER
	18 AWG	BUS	W36	PS6-13		J	PS6-14		J	1	IN JUMPER

REV N

¹ see table 2-1 ² see table 2-2 ³ see table 2-3

FIGURE 2-1. Transmitter Cabinet 1 (Sheet 35 of 53)

WIRE NO	SIZE	COLOR	TYPE	FROM	TERM 2	GEN. 3	TO	TERM 2	GEN. 3	LENGTH	REMARKS
	18 AWG	WHITE	W03	PS6-13	01	J	GND		J	6	JUMPER
	18 AWG	BUS	W36	PS6-14		J	PS6-15		J	1	JUMPER
	18 AWG	BUS	W36	PS6-14		J	PS6-13		J	1	JUMPER
	18 AWG	BUS	W36	PS6-15		J	PS6-14		J	1	JUMPER
	18 AWG	WHITE	W03	PS6-02	02	J	E31		J	6	JUMPER
	18 AWG	BUS	W36	PS6-03		J	PS6-04		J	1	JUMPER
	18 AWG	WHITE	W03	PS6-03	01	J	GND		J	6	JUMPER
	18 AWG	BUS	W36	PS6-04		J	PS6-05		J	1	JUMPER
	18 AWG	BUS	W36	PS6-04		J	PS6-03		J	1	JUMPER
	18 AWG	BUS	W36	PS6-05		J	PS6-04		J	1	JUMPER
	18 AWG	BUS	W36	PS6-06		J	PS6-07		J	1	JUMPER
	18 AWG	WHITE	W03	PS6-06	02	J	E30		J	7	JUMPER
	18 AWG	WHITE	W03	PS6-07		J	PS6-06		J	1	JUMPER
	18 AWG	BUS	W36	PS6-07		J	PS6-10		J	1	JUMPER
	18 AWG	BUS	W36	PS6-09		J	XV1-GRID		J	1	JUMPER
				R01-1		J	C046-1		J		COMPONENT LEAD
				R01-2		J	R03-1		J		COMPONENT LEAD
				R02-1		J	L01-2		J		COMPONENT LEAD
				R02-1		J	R03-2		J		COMPONENT LEAD
				R02-2		J	R02-1		J		COMPONENT LEAD
				R03-1		J	XV1-SCR		J		COMPONENT LEAD
				R03-2		J	L07-1		J		COMPONENT LEAD
				R04-1		J	R05-1		J		COMPONENT LEAD
				R04-1		J	R05-2		J		COMPONENT LEAD
				R04-2		J	R04-1		J		COMPONENT LEAD
				R05-1		J	R04-2		J		COMPONENT LEAD
				R05-2		J	XV2-SCREEN		J		COMPONENT LEAD
				R05-2	31	J	L13-2		J	6	JUMPER
	18 AWG	BUS	W36	R06-1	31	J	E01		J	3	JUMPER
	18 AWG	BUS	W36	R06-2	31	J	XV3-SCREEN		J	7	JUMPER
	18 AWG	BUS	W36	R06-2	31	J	S38TB1-01		J	10	JUMPER
1424	14 AWG	WHITE	W05	R08-1		J	K7-A1		J	4	JUMPER
	18 AWG	WHITE	W03	R08-2		J	S38TB1-04		J	10	JUMPER
1386	14 AWG	WHITE	W05	R08-2		J	L29-2		J	5	JUMPER
	18 AWG	BUS	W36	R09-1	42	J	C101(+)		J	22	JUMPER
	16 AWG	WHITE	W04	R10-1		J	CR45(C)		J	21	JUMPER
	16 AWG	WHITE	W04	R10-2		J	CR46(C)		J	5	JUMPER
	16 AWG	WHITE	W04	R11-1		J	C101(+)		J	30	JUMPER
	16 AWG	WHITE	W04	R11-2		J	R12-1		J		COMPONENT LEAD
	16 AWG	WHITE	W04	R11-2		J	A24TB4-01		J	10	JUMPER
1576	16 AWG	WHITE	W04	R11-1		J	R11-2		J		COMPONENT LEAD
				R12-1		J	GND		J		COMPONENT LEAD
				R12-2		J	C035-1		J	9	JUMPER
	8 AWG	WHITE	W26	R33-1	29	E	C036-1		E	9	JUMPER
	8 AWG	WHITE	W26	R34-1	29	E			E		JUMPER

REV N

1 see table 2-1 2 see table 2-2 3 see table 2-3

FIGURE 2-1. Transmitter Cabinet 1 (Sheet 36 of 53)

TYPE ¹	FROM	TERM ² G	TO	TERM ²	GEN	LENGTH	REMARKS
W26	R34-2	29	L16-1	35	E	9	JUMPER
	RV1-1		TB17-07		N5		COMPONENT LEAD
	RV1-2		GND		J		COMPONENT LEAD
W03	S01-COM		TB18-02	01	J	10	FT
W03	S01-NC		S02-NC		J	6	FT
W03	S01-NO		S02-COM		J	6	FT
W03	S02-COM		S01-NO		J	6	FT
W03	S02-NC		S01-NC		J	6	FT
W03	S02-NC		TB18-01	08	J	10	FT
W03	S02-NO		TB18-03	01	J	10	FT
W03	S03-COM		TB19-02	01	J	10	FT
W03	S03-NC		S04-NC		J	6	FT
W03	S03-NO		S04-COM		J	6	FT
W03	S04-COM		S03-NO		J	6	FT
W03	S04-NC		TB19-01	01	J	10	FT
W03	S04-NC		S03-NC		J	6	FT
W03	S04-NO		TB19-03	01	J	10	FT
W03	S05-NO		S06-COM		J	6	FT
W03	S05-COM		TB20-02	01	J	10	FT
W03	S05-NC		S06-NC		J	10	FT
W03	S05-NC		TB20-01	01	J	10	FT
W03	S06-COM		S05-NO		J	6	FT
W03	S06-NC		S05-NC		J	10	FT
W03	S06-NO		TB20-03	01	J	10	FT
W03	S07-COM		TB21-02	01	J	10	FT
W03	S07-NC		S08-NC		J	6	FT
W03	S07-NO		S08-COM		J	6	FT
W03	S08-COM		S07-NO		J	6	FT
W03	S08-NC		TB21-01	08	J	10	FT
W03	S08-NC		S07-NC		J	6	FT
W03	S08-NO		TB21-03	01	J	10	FT
W03	S09-COM		TB13-01	01	J	32	FT
W03	S09-COM		A24TB3-16	08	A	15	FT
W03	S09-NC		S10-NC		J	15	FT
W03	S09-NO		S10-COM		J	15	FT
W03	S10-NO		S11-COM		J	15	FT
W03	S10-COM		S09-NO		J	15	FT
W03	S10-NC		S09-NC		J	15	FT
W03	S10-NC		S11-NC		J	15	FT
W03	S11-COM		S10-NO		J	15	FT
W03	S11-NC		S10-NC		J	15	FT
W03	S11-NC		S12-NC		J	12	FT
W03	S11-NO		S12-COM		J	12	FT
W03	S12-COM		S11-NO		J	12	FT

EV N

³ see table 2-3

FIGURE 2-1. Transmitter Cabinet 1 (Sheet 37 of 53)

SIZE	DLOR	TYPE ¹	FROM	TERM ²	GEN ³	TO	TERM-	LENGTH	REMARKS
18 AWG	HITE	W03	S12-NC		J,AA	S11-NC		12	FT
18 AWG	HITE	W03	S12-NC		J,AA	S13-NC		10	FT
18 AWG	HITE	W03	S12-NO		J,AA	S13-COM		10	FT
18 AWG	HITE	W03	S13-COM		J,AA	S12-NO		10	FT
18 AWG	HITE	W03	S13-NC		J,AA	S12-NC		25	FT
18 AWG	HITE	W03	S13-NC		J,AA	S14-NC		25	FT
18 AWG	HITE	W03	S13-NO		J,AA	S14-COM		25	FT
18 AWG	HITE	W03	S14-COM		J,AA	S13-NO		25	FT
18 AWG	HITE	W03	S14-NC		J,AA	S13-NC		25	FT
18 AWG	HITE	W03	S14-NC		J,AA	S15-NC		12	FT
18 AWG	HITE	W03	S14-NO		J,AA	S15-COM		12	FT
18 AWG	HITE	W03	S15-COM		J,AA	S14-NO		12	FT
18 AWG	HITE	W03	S15-NC		J,AA	S14-NC		12	FT
18 AWG	HITE	W03	S15-NC		J,AA	S16-NC		15	FT
18 AWG	HITE	W03	S15-NC		J,AA	S16-NC		15	FT
18 AWG	HITE	W03	S15-NO		J,AA	S16-COM		15	FT
18 AWG	HITE	W03	S16-COM		J,AA	S15-NO		15	FT
18 AWG	HITE	W03	S16-NC		J,AA	S15-NC		15	FT
18 AWG	HITE	W03	S16-NC		J,AA	S17-NC		25	FT
18 AWG	HITE	W03	S16-NO		J,AA	S17-NC		25	FT
18 AWG	HITE	W03	S17-COM		J,AA	S17-COM		25	FT
18 AWG	HITE	W03	S17-NC		J,AA	S16-NO		25	FT
18 AWG	HITE	W03	S17-NC		J,AA	S16-NC		25	FT
18 AWG	HITE	W03	S17-NC		J,AA	TB03-02	01	25	FT
18 AWG	HITE	W03	S17-NO		J,AA	TB03-03	01	25	FT
18 AWG	HITE	W03	S26-COM		J,AA	TB13-01	01	10	IN
18 AWG	HITE	W03	S26-NC		J,AA	TB13-02	01	10	IN
18 AWG	HITE	W03	S27-COM		J	TB12-01	01	7	JUMPER
18 AWG	HITE	W03	S27-NC		J	TB12-02	01	7	JUMPER
18 AWG	HITE	W03	S28-COM		J	TB11-01	01	10	JUMPER
18 AWG	HITE	W03	S28-NC		J	TB11-02	01	10	JUMPER
18 AWG	HITE	W03	S29-COM	07		TB03-06	08	25	JUMPER
18 AWG	HITE	W03	S29-NC	07		A01TB5-07	01	25	JUMPER
18 AWG	HITE	W03	S29-NO	07		A01TB4-02	01	25	JUMPER
18 AWG	HITE	W03	S30-COM		J,AA	TB04-06	01	30	JUMPER
18 AWG	HITE	W03	S30-NC		J,AA	S31-NC		20	FT
18 AWG	HITE	W03	S30-NO		J,AA	S31-COM		20	FT
18 AWG	HITE	W03	S31-COM		J,AA	S30-NO		20	FT
18 AWG	HITE	W03	S31-NC		J,AA	TB19-01	01	30	FT
18 AWG	HITE	W03	S31-NC		J,AA	S30-NC		20	FT
18 AWG	HITE	W03	S31-NO		J,AA	TB18-02	01	15	FT
18 AWG	HITE	W17	S32TB1-01	01	AA	S33TB1-02	01	20	FT
18 AWG	HIELD					GND	15		
18 AWG	HITE	W17	S32TB1-02	01	AA	S36TB1-01	01	3	FT
18 AWG	HIELD					GND	15		
18 AWG	HITE	W17	S32TB1-03	01	AA	S33TB1-04	01	20	FT

REV N

¹ see table 2-2

² see table 2-3

³ see table 2-3

¹ see table 2-1

FIGURE 2-1. Transmitter Cabinet 1 (Sheet 38 of 53)

	TERM ²	GEN. ³	TO	TERM ²	GEN. ³	LENGTH	REMARKS
-04	01	AA	GND	15	AA	3	FT
			S36TB1-03	01			
-05	01	AA	GND	15	AA	20	FT
			S33TB1-06	01			
-05	10		GND	15		12	FT
-06	10		S43-COM	52		12	FT
-06	01	AA	S43-NO	52	AA	3	FT
			S36TB1-05	01			
-01	01	AA	GND	15	AA	3	FT
			S37TB1-02	01			
-02	01	AA	GND	15	AA	20	FT
			S32TB1-01	01			
-03	01	AA	S37TB1-04	01	AA	3	FT
			GND	15			
-04	01	AA	S32TB1-03	01	AA	20	FT
			GND	15			
-05	01	AA	S37TB1-06	01	AA	3	FT
			GND	15			
-05	10		S44-COM	52		6	FT
-06	10		S44-NO	52		6	FT
-06	01	AA	S32TB1-05	01	AA	20	FT
			GND	15			
-01	01	AA	S36TB1-02	01	AA	3	FT
			GND	15			
-02	01	AA	A01TB8-12	01	AA	26	FT
			GND	15			
-03	01	AA	S36TB1-04	01	AA	3	FT
			GND	15			
-04	01	AA	A01TB6-19	01	AA	26	FT
			GND	15			
-05	01	AA	S36TB1-06	01	AA	3	FT
			GND	15			
-05	10		S45-COM	52		6	FT
-06	10		S45-NO	52		6	FT
-06	01	AA	A01TB8-13	01	AA	26	FT
			GND	15			
-01	01	AA	A24TB3-08	01	AA	12	FT
			GND	15			
-02	01	AA	S37TB1-01	01	AA	3	FT
			GND	15			
-03	01	AA	A24TB3-08	01	AA	12	FT
			GND	15			
-04	01	AA	S37TB1-03	01	AA	3	FT
			GND	15			

le 2-3

REV N

WIRE NO	SIZE	COLOR	TYPE ¹	FROM	TERM ²	GEN. ³	TO	TERM ²	GEN. ³	LENGTH	REMARKS
1551B		SHIELD		GND	15						
1466A	18 AWG	WHITE	W17	S35TB1-05	01	AA	A24TB3-07	01	AA	12 FT	
1466B		SHIELD		GND	15	G					
3854-01	16 AWG	WHITE	W04	S35TB1-05	10		S46-COM	52		12 FT	
3855-01	16 AWG	WHITE	W04	S35TB1-06	10		S46-NO	52		12 FT	
1552A	18 AWG	WHITE	W17	S35TB1-06	01	AA	S37TB1-05	01	AA	3 FT	
1552B		SHIELD		GND	15						
1539A	18 AWG	WHITE	W17	S36TB1-01	01	AA	S32TB1-02	01	AA	3 FT	
1539B		SHIELD		GND	15						
1547A	18 AWG	WHITE	W17	S36TB1-02	01	AA	S34TB1-01	01	AA	3 FT	
1547B		SHIELD		GND	15						
1541A	18 AWG	WHITE	W17	S36TB1-03	01	AA	S32TB1-04	01	AA	3 FT	
1541B		SHIELD		GND	15						
1548A	18 AWG	WHITE	W17	S36TB1-04	01	AA	S34TB1-03	01	AA	3 FT	
1548B		SHIELD		GND	15						
1543A	18 AWG	WHITE	W17	S36TB1-05	01	AA	S32TB1-06	01	AA	3 FT	
1543B		SHIELD		GND	15						
3858-01	16 AWG	WHITE	W04	S36TB1-05	10		S47-COM	52		8 FT	
3859-01	16 AWG	WHITE	W04	S36TB1-06	10		S47-NO	52		8 FT	
1549A	18 AWG	WHITE	W17	S36TB1-06	01	AA	S34TB1-05	01	AA	3 FT	
1549B		SHIELD		GND	15						
1550A	18 AWG	WHITE	W17	S37TB1-01	01	AA	S35TB1-02	01	AA	3 FT	
1550B		SHIELD		GND	15						
1544A	18 AWG	WHITE	W17	S37TB1-02	01	AA	S33TB1-01	01	AA	3 FT	
1544B		SHIELD		GND	15						
1551A	18 AWG	WHITE	W17	S37TB1-03	01	AA	S35TB1-04	01	AA	3 FT	
1551B		SHIELD		GND	15						
1545A	18 AWG	WHITE	W17	S37TB1-04	01	AA	S33TB1-03	01	AA	3 FT	
1545B		SHIELD		GND	15						
1552A	18 AWG	WHITE	W17	S37TB1-05	01	AA	S35TB1-06	01	AA	3 FT	
1552B		SHIELD		GND	15						
3862-01	16 AWG	WHITE	W04	S37TB1-05	10		S48-COM	52		8 FT	
3863-01	16 AWG	WHITE	W04	S37TB1-06	10		S48-NO	52		8 FT	
1546A	18 AWG	WHITE	W17	S37TB1-06	01	AA	S33TB1-05	01	AA	3 FT	
1546B		SHIELD		GND	15						
1407	8 AWG	WHITE	W26	S38-1	29	AD	C066-1	13	AD	8 FT	RUN IN 1" BRAID
	1 IN	BRAID	W42	S38-	13	B	C066-	04	B	7 FT	SHIELD FOR 1407
	RG214		W43	S38-2	55	G	C020-1	19	G	78 IN	
		SHIELD		GND	19						
1342A	RG214		W43	S38-3	55	B	C006-1	04	B	13 FT	
1342B		SHIELD		GND	19	G					
1316A	18 AWG	WHITE	W17	S38-4	04	AA	C032-1	06	AA	10 FT	SEP FORM
1316B		SHIELD		GND	06	G					
1362A	18 AWG	WHITE	W17	S38-5	06	G	C018-1	06	G	15 FT	
1362B		SHIELD		GND	04	AA					
1337A	18 AWG	WHITE	W17	S38-5	04	AA					

REV N

¹ see table 2-1 ² see table 2-2 ³ see table 2-3

FIGURE 2-1. Transmitter Cabinet 1 (Sheet 40 of 53)

WIRE NO	SIZE	COLOR	TYPE ¹	FROM	TERM ²	GEN. ³	TO	TERM ²	GEN. ³	LENGTH	REMARKS
1337B		SHIELD		GND	14	G	GND	06	G		
1311A	18 AWG	WHITE	W17	S38-6	04	AA	C004-1	06	AA	23	FT
1311B		SHIELD		GND	06	G	GND	06	G		
1424	14 AWG	WHITE	W05	S38TB1-01	15		R08-1	05	J	10	FT
1522	18 AWG	WHITE	W03	S38TB1-02	01		TB17-08	05	J	25	FT
1386	14 AWG	WHITE	W09	S38TB1-04	10		R08-2	08	J	10	FT
1283	18 AWG	WHITE	W03	S38TB1-05	01		A24TB3-12	01		25	FT
1015	18 AWG	WHITE	W03	S38TB1-06	01		TB03-08	01		15	FT
1184	18 AWG	WHITE	W03	S38TB1-07	01		A01TB4-11	01		30	FT
1413	18 AWG	WHITE	W03	S39-COM	01	J,AA	PS1-7	07	J,AA	15	FT
1461	18 AWG	WHITE	W03	S39-COM		J,AA	S40-NO		J,AA	12	FT
1462	18 AWG	WHITE	W03	S39-NO		J,AA	S40-COM		J,AA	12	FT
1007	18 AWG	WHITE	W03	S40-COM		J,AA	TB03-01	01	J,AA	23	FT
1462	18 AWG	WHITE	W03	S40-COM		J,AA	S39-NO		J,AA	12	FT
1461	18 AWG	WHITE	W03	S40-NO		J,AA	S39-COM		J,AA	12	FT
1336	18 AWG	WHITE	W03	S41-COM		J,AA	TB19-03	08	J,AA	10	FT
1347	18 AWG	WHITE	W03	S41-NC		J,AA	TB20-01	08	J,AA	10	FT
1345	18 AWG	WHITE	W03	S41-NO		J,AA	TB20-02	01	J,AA	10	FT
1357	18 AWG	WHITE	W03	S42-COM		J,AA	TB20-03	01	J,AA	25	FT
1352	18 AWG	WHITE	W03	S42-NC		J,AA	TB21-01	08	J,AA	30	FT
1361	18 AWG	WHITE	W03	S42-NO		J,AA	TB21-02	01	J,AA	22	FT
3866-01	16 AWG	WHITE	W04	S43-COM	52		S32TB1-05	10		12	FT
3867-01	16 AWG	WHITE	W04	S43-NO	52		S32TB1-06	10		12	FT
3846-01	16 AWG	WHITE	W04	S44-COM	52		S33TB1-05	10		6	FT
3847-01	16 AWG	WHITE	W04	S44-NO	52		S33TB1-06	10		6	FT
3850-01	16 AWG	WHITE	W04	S45-COM	52		S34TB1-05	10		6	FT
3851-01	16 AWG	WHITE	W04	S45-NO	52		S34TB1-06	10		6	FT
3854-01	16 AWG	WHITE	W04	S46-COM	52		S35TB1-05	10		12	FT
3855-01	16 AWG	WHITE	W04	S46-NO	52		S35TB1-06	10		12	FT
3858-01	16 AWG	WHITE	W04	S47-COM	52		S36TB1-05	10		8	FT
3859-01	16 AWG	WHITE	W04	S47-NO	52		S36TB1-06	10		8	FT
3862-01	16 AWG	WHITE	W04	S48-COM	52		S37TB1-05	10		8	FT
3863-01	16 AWG	WHITE	W04	S48-NO	52		S37TB1-06	10		8	FT
1271	2/0 AWG	BLACK	W24	T1-1-SD	24	E	CR01(AC3)	24	E	7	IN JUMPER
	2/0 AWG	BLACK	W24	T1-2-SD	24	E	CR01(AC1)	24	E	9	IN JUMPER
	2/0 AWG	BLACK	W24	T1-3-SD	24	E	CR01(AC2)	24	E	9	IN JUMPER
	12 AWG	WHITE	W53	T1-A-7.5	16		T1-C-COM	16		11	IN JUMPER
	12 AWG	WHITE	W53	T1-A-COM-SEC	16		A24TB2-04	20		20	FT
	12 AWG	WHITE	W53	T1-A-COM	16		T1-B-7.5	16		11	IN JUMPER
	12 AWG	WHITE	W53	T1-B-7.5	16		T1-A-COM	16		11	IN JUMPER
1272	12 AWG	WHITE	W53	T1-B-COM-SEC	16		A24TB2-05	20		20	FT
	12 AWG	WHITE	W53	T1-B-COM	16		T1-C-7.5	16		11	IN JUMPER
	12 AWG	WHITE	W53	T1-C-7.5	16		T1-B-COM	16		11	IN JUMPER
1273	12 AWG	WHITE	W53	T1-C-COM-SEC	16		A24TB2-06	20		20	FT

REV N

¹ see table 2-1 ² see table 2-2 ³ see table 2-3

FIGURE 2-1. Transmitter Cabinet 1 (Sheet 41 of 53)

WIRE NO	SIZE	COLOR	TYPE	FROM	TERM ²	GEN. ³	TO	TERM ²	GEN. ³	LENGTH	REMARKS
1277	12 AWG	WHITE	W53	T1-C-COM	16		T1-A-7.5	16		11	JUMPER
	12 AWG	WHITE	W53	T2-A-COM-SEC	16		A24TB2-16	20		25	JUMPER
	12 AWG	WHITE	W53	T2-A-7.5	16		T2-C-COM	16		11	JUMPER
	12 AWG	WHITE	W53	T2-A-COM	16		T2-B-7.5	16		11	JUMPER
	12 AWG	WHITE	W53	T2-B-7.5	16		T2-A-COM	16		11	JUMPER
1278	12 AWG	WHITE	W53	T2-B-COM-SEC	16		A24TB2-17	15		25	JUMPER
	12 AWG	WHITE	W53	T2-B-COM	16		T2-C-7.5	16		11	JUMPER
	12 AWG	WHITE	W53	T2-C-7.5	16		T2-B-COM	16		11	JUMPER
1279	12 AWG	WHITE	W53	T2-C-COM-SEC	16		A24TB2-18	20		25	JUMPER
	12 AWG	WHITE	W53	T2-C-COM	16		T2-A-7.5	16		11	JUMPER
	4/0 AWG	BLACK	W25	T2-R1-SD	27	E	CR02(AC1)	27	E	8	JUMPER
	4/0 AWG	BLACK	W25	T2-R2-SD	27	E	CR02(AC2)	27	E	8	JUMPER
	4/0 AWG	BLACK	W25	T2-R3-SD	27	E	CR02(AC3)	27	E	7	JUMPER
1268	16 AWG	WHITE	W04	T3-A-COM-SEC	15		A24TB2-01	15		12	JUMPER
	16 AWG	WHITE	W04	T3-A-7.5	15		T3-C-COM	15		11	JUMPER
	16 AWG	WHITE	W04	T3-A-COM	15		T3-B-7.5	15		11	JUMPER
	16 AWG	WHITE	W04	T3-B-7.5	15		T3-A-COM	15		11	JUMPER
1269	16 AWG	WHITE	W04	T3-B-COM-SEC	15		A24TB2-02	15		12	JUMPER
	16 AWG	WHITE	W04	T3-B-COM	15		T3-C-7.5	15		11	JUMPER
	16 AWG	WHITE	W04	T3-C-7.5	15		T3-B-COM	15		11	JUMPER
1270	16 AWG	WHITE	W04	T3-C-COM-SEC	15		A24TB2-03	15		12	JUMPER
	16 AWG	WHITE	W04	T3-C-COM	15		T3-A-7.5	15		11	JUMPER
	2/0 AWG	BLACK	W24	T3-R1-SD	24	E	CR12(AC1)	24	E	15	JUMPER
	2/0 AWG	BLACK	W24	T3-R2-SD	24	E	CR12(AC2)	24	E	19	JUMPER
	2/0 AWG	BLACK	W24	T3-R3-SD	24	E	CR12(AC3)	24	E	24	JUMPER
1000A	18 AWG	WHITE	W17	TB01-02	01	AA	A01TB6-10	01	AA	12	JUMPER
1000B	RG223	SHIELD	W44	GND	15	G	GND	15	G	4	JUMPER
1001A		SHIELD	W44	TB01-02	08	B	AR1-KEYLINE	01	K,B	4	JUMPER
1001B		SHIELD	W44	GND	14	B	GND	01	K	4	JUMPER
1163	18 AWG	WHITE	W03	TB02-01	05		A23TB1-11	29	B	16	JUMPER
	8 AWG	WHITE	W13	TB02-01	29	B	TB17-04	29	B	16	JUMPER
	8 AWG	WHITE	W13	TB02-02	29	B	A23CB1-2	29	B	6	JUMPER
	10 AWG	WHITE	W11	TB02-03	16		GND	01	J,AA	23	JUMPER
1007	18 AWG	WHITE	W07	TB03-01	01		S40-COM	01	J,AA	25	JUMPER
1008	18 AWG	WHITE	W07	TB03-02	01		S17-NC	01	J,AA	28	JUMPER
1009	18 AWG	WHITE	W03	TB03-02	08		A01TB2-08	01	J,AA	25	JUMPER
1010	18 AWG	WHITE	W03	TB03-03	01	AA	S17-N0	01	J,AA	25	JUMPER
1011	18 AWG	WHITE	W03	TB03-04	01		A24TB3-17	01	J	25	JUMPER
	18 AWG	WHITE	W03	TB03-04	08	N527	CR47(C)	01	J	2	COMPONENT LEAD
	18 AWG	WHITE	W03	TB03-04	08		TB03-06	01		28	JUMPER
1012	18 AWG	WHITE	W03	TB03-05	01		A01TB2-09	01		2	JUMPER
	18 AWG	WHITE	W03	TB03-06	01		TB03-04	08		28	JUMPER
1013	18 AWG	WHITE	W03	TB03-07	01		A01TB8-11	01		28	JUMPER
1014	18 AWG	WHITE	W03	TB03-06	08		S29-COM	07		25	JUMPER

REV N

¹ see table 2-1 ² see table 2-2 ³ see table 2-3

SIZE	OLOR	TYPE	FROM	ERM ² GEN. ³	TO	TERM ² GEN. ³	LENGTH	REMARKS
18 AWG	WHITE	W03	TB03-08	1	S38TB1-06	01	15	FT
18 AWG	WHITE	W03	TB03-09	1	A24TB3-06	01	21	FT
18 AWG	WHITE	W03	TB03-12	1	A01TB2-12	01	28	FT
18 AWG	WHITE	W03	TB03-13	1	A01TB2-13	01	28	FT
18 AWG	WHITE	W03	TB03-14	1	A01TB2-14	01	28	FT
18 AWG	WHITE	W03	TB03-15	1	A01TB2-15	01	28	FT
18 AWG	WHITE	W03	TB03-16	1	A01TB2-16	01	28	FT
18 AWG	WHITE	W03	TB03-17	1	A01TB2-17	01	28	FT
18 AWG	WHITE	W03	TB03-18	1	A01TB2-18	01	28	FT
18 AWG	WHITE	W03	TB03-19	1	A01TB3-01	01	28	FT
18 AWG	WHITE	W03	TB03-20	1	A10TB3-02	01	28	FT
18 AWG	WHITE	W03	TB04-01	1	A01TB3-03	01	28	FT
14 AWG	WHITE	W05	TB04-02	5	PS1-5	15	15	FT
18 AWG	WHITE	W03	TB04-03	1	A08TB1-13	01	22	FT
18 AWG	WHITE	W03	TB04-03	1	CR28(C)	01	25	FT
18 AWG	WHITE	W03	TB04-04	1	A01TB5-02	01	28	FT
18 AWG	WHITE	W03	TB04-05	1	A01TB4-08	01	30	FT
14 AWG	WHITE	W27	TB04-06	5	S30-COM	J,AA	30	FT
14 AWG	LACK	W27	TB04-07	5	A13TB1-05	AD	32	FT
14 AWG	LACK	W27	TB04-08	5	A13TB1-04	AD	32	FT
18 AWG	SHIELD	W03	GND	4	GND	G	3	IN JUMPER
14 AWG	WHITE	W03	TB04-09	8	GND	AD	25	FT
14 AWG	WHITE	W27	TB04-11	5	A13TB1-12	AD	25	FT
14 AWG	LACK	W27	TB04-10	4	A13TB1-11	G	15	FT
14 AWG	SHIELD	W27	GND	5	GND	AD	15	FT
18 AWG	WHITE	W03	TB04-13	7	A13TB2-04	G	3	IN JUMPER
18 AWG	WHITE	W03	TB04-14	1	GND	AA	30	FT
18 AWG	WHITE	W03	TB04-15	8	A23TB1-05	G	22	FT
18 AWG	WHITE	W03	TB04-15	8	A01TB4-09	J,AA	35	FT
18 AWG	WHITE	W03	TB04-16	1	A09TB1-06	J,AA	5	IN JUMPER
18 AWG	WHITE	W03	TB04-17	1	A01TB6-13	J,AA	3	FT
18 AWG	WHITE	W17	TB05-01	8	A01TB1-18	J,AA	3	FT
20 AWG	SHIELD	W02	GND	5	GND	J	28	FT
18 AWG	WHITE	W02	TB05-01	8	MT12-3	J,AA	3	FT
18 AWG	WHITE	W03	TB05-02	1	TB06-03	J,AA	35	FT
20 AWG	WHITE	W02	TB05-02	8	TB05-10	J,AA	5	IN JUMPER
20 AWG	WHITE	W02	TB05-02	1	MT12-1	J,AA	3	FT
20 AWG	WHITE	W02	TB05-02	8	MT13-1	J,AA	3	FT
18 AWG	WHITE	W03	TB05-02	1	C135(+)	J	28	FT
18 AWG	WHITE	W03	TB05-03	8	E28-GND	J	5	IN JUMPER
20 AWG	WHITE	W02	TB05-03	1	TB05-11	J,AA	3	FT
20 AWG	WHITE	W02	TB05-03	1	MT12-2	J,AA	3	FT

REV N

¹ see table
² see table 2-2
³ see table 2-3

FIGURE 2-1. Transmitter Cabinet 1 (Sheet 43 of 53)

WIRE NO	SIZE	COLOR	TYPE	FROM	TERM. 2	GEN. 3	TERM. 2	GEN. 3	LENGTH	REMARKS
1562	20 AWG	WHITE	W02	TB05-03	01		J,AA	3	FT	
1041A	18 AWG	WHITE	W17	TB05-04	01	AA	AA	28	FT	
1041B		SHIELD		GND	15	G	G			
1563	20 AWG	WHITE	W02	TB05-04	01		J,AA	3	FT	
	18 AWG	WHITE	W03	TB05-10	08			5	IN	JUMPER
	18 AWG	WHITE	W03	TB05-10	08			5	IN	JUMPER
1564	20 AWG	WHITE	W02	TB05-10	08		J,AA	3	FT	
1567	20 AWG	WHITE	W02	TB05-10	01		J,AA	3	FT	
	18 AWG	WHITE	W03	TB05-11	08			5	IN	JUMPER
	18 AWG	WHITE	W03	TB05-11	08			5	IN	JUMPER
1565	20 AWG	WHITE	W02	TB05-11	08		J,AA	3	FT	
1568	20 AWG	WHITE	W02	TB05-11	01		J,AA	3	FT	
1042A	18 AWG	WHITE	W17	TB05-12	01	AA	AA	28	FT	
1042B		SHIELD		GND	15	G	G			
1566	20 AWG	WHITE	W02	TB05-12	01		J,AA	3	FT	
1043A	18 AWG	WHITE	W17	TB05-13	01	AA	AA	28	FT	
1043B		SHIELD		GND	15	G	G			
1569	20 AWG	WHITE	W02	TB05-13	01		J,AA	3	FT	
1570	20 AWG	WHITE	W02	TB05-17	01		J,AA	3	FT	
1573	20 AWG	WHITE	W02	TB05-17	01		J,AA	3	FT	
1571	20 AWG	WHITE	W02	TB05-18	01		J,AA	3	FT	
	18 AWG	WHITE	W03	TB05-18	01			5	IN	JUMPER
1574	20 AWG	WHITE	W02	TB05-18	01		J,AA	3	FT	
1044A	18 AWG	WHITE	W17	TB05-19	01	AA	AA	28	FT	
1044B		SHIELD		GND	15	G	G			
1572	20 AWG	WHITE	W02	TB05-19	01		J,AA	3	FT	
1045A	18 AWG	WHITE	W17	TB05-20	01	AA	AA	28	FT	
1045B		SHIELD		GND	15	G	G			
1575	20 AWG	WHITE	W02	TB05-20	01		J,AA	3	FT	
1046	18 AWG	WHITE	W03	TB06-01	01			30	FT	
	18 AWG	WHITE	W03	TB06-01	08		J	3	IN	JUMPER
1047	18 AWG	WHITE	W03	TB06-02	01			30	FT	
	18 AWG	WHITE	W03	TB06-02	01		J	3	IN	JUMPER
	18 AWG	WHITE	W03	TB06-02	01			35	FT	
1039	18 AWG	WHITE	W03	TB06-03	01			35	FT	
1049	18 AWG	WHITE	W03	TB06-03	01			4	IN	JUMPER
	20 AWG	WHITE	W02	TB06-03	08		J,AA	12	IN	JUMPER
				TB06-03	05					COMPONENT LEAD
	18 AWG	WHITE	W03	TB06-04	01			4	IN	JUMPER
	18 AWG	WHITE	W03	TB06-04	01			3	IN	JUMPER
	20 AWG	WHITE	W02	TB06-04	08		J,AA	7	IN	JUMPER
1050A	18 AWG	WHITE	W17	TB06-05	01			36	FT	
1050B		SHIELD		GND	15	G	G			

¹ see table 2-1 ² see table 2-2 ³ see table 2-3

REV N

FIGURE 2-1. Transmitter Cabinet 1 (Sheet 44 of 53)

SIZE	COLOR	TYPE	FROM	TERM 2	GEN. 3	TO	TERM 2	GEN. 3	LEN	REMARKS
J	AWG	WHITE	TB06-05	08		MT01-3	06	J,AA	7	JUMPER
3	AWG	WHITE	TB06-06	01		TB16-07			30	JUMPER
3	AWG	WHITE	TB06-06	08		E04		J	3	JUMPER
3	AWG	WHITE	TB06-07	01		TB06-09		J	4	JUMPER
3	AWG	WHITE	TB06-07	08		E05			3	JUMPER
3	AWG	WHITE	TB06-07	01		TB06-04			4	JUMPER
3	AWG	WHITE	TB06-08	01		TB06-13		J,AA	4	JUMPER
J	AWG	WHITE	TB06-08	08		MT02-1			7	JUMPER
3	AWG	WHITE	TB06-08	01		TB06-03		J	4	JUMPER
3	AWG	WHITE	TB06-09	01		TB06-12		J	4	JUMPER
J	AWG	WHITE	TB06-09	08		MT02-2		J,AA	7	JUMPER
3	AWG	WHITE	TB06-10	01		A01TB1-02			36	JUMPER
		SHIELD	GND	15	G	GND				
J	AWG	WHITE	TB06-10	08		MT02-3		J,AA	7	JUMPER
3	AWG	WHITE	TB06-11	01		TB16-08			30	JUMPER
3	AWG	WHITE	TB06-11	08		E06		J	3	JUMPER
3	AWG	WHITE	TB06-12	08		TB06-09			4	JUMPER
3	AWG	WHITE	TB06-12	01		TB06-14		J,AA	3	JUMPER
3	AWG	WHITE	TB06-12	08		E07			7	JUMPER
3	AWG	WHITE	TB06-13	01		TB07-02		J	7	JUMPER
3	AWG	WHITE	TB06-13	08		MT03-1			7	JUMPER
3	AWG	WHITE	TB06-13	01		TB06-08		J	4	JUMPER
3	AWG	WHITE	TB06-14	01		TB06-18			4	JUMPER
3	AWG	WHITE	TB06-14	08		MT03-2		J	7	JUMPER
3	AWG	WHITE	TB06-14	01		TB06-12		AA	3	JUMPER
3	AWG	WHITE	TB06-15	01	AA	A01TB1-03		G	36	JUMPER
		SHIELD	GND	15		GND				
3	AWG	WHITE	TB06-15	08		MT03-3		J,AA	7	JUMPER
3	AWG	WHITE	TB06-17	01		TB16-09			30	JUMPER
3	AWG	WHITE	TB06-17	08		E08		J	3	JUMPER
3	AWG	WHITE	TB06-18	01		TB06-14			4	JUMPER
3	AWG	WHITE	TB06-18	01		TB07-03		J	5	JUMPER
3	AWG	WHITE	TB06-18	08		E09			3	JUMPER
3	AWG	WHITE	TB07-02	08		TB07-07		J,AA	4	JUMPER
3	AWG	WHITE	TB07-02	08		MT04-1			7	JUMPER
3	AWG	WHITE	TB07-02	08		TB06-13			7	JUMPER
3	AWG	WHITE	TB07-03	08		TB07-06		J	4	JUMPER
3	AWG	WHITE	TB07-03	08		MT04-2			7	JUMPER
3	AWG	WHITE	TB07-03	08		TB06-18			5	JUMPER
3	AWG	WHITE	TB07-04	01	AA	A01TB1-04		G	36	JUMPER
		SHIELD	GND	15	G	GND				
3	AWG	WHITE	TB07-04	08		MT04-3		J,AA	7	JUMPER
3	AWG	WHITE	TB07-05	01		TB16-06			30	JUMPER
3	AWG	WHITE	TB07-05	08		E10		J	3	JUMPER

REV N

able 2-1 2 see table 2-2 3 see table 2-3

FIGURE 2-1. Transmitter Cabinet 1 (Sheet 45 of 53)

LOC	TYPE	FROM	TERM ²	GEN. ³	TO	TERM ²	GEN. ³	REMARKS
ITE	W03	TB07-06	01		TB07-03	01		JUMPER
ITE	W03	TB07-06	08		TB07-08	08		JUMPER
ITE	W03	TB07-06	01		E11		J	JUMPER
ITE	W03	TB07-07	08		TB07-13	01	J,AA	JUMPER
ITE	W02	TB07-07	01		MT05-1	08		JUMPER
ITE	W03	TB07-07	08		TB07-02	01	J,AA	JUMPER
ITE	W03	TB07-08	08		TB07-11	08		JUMPER
ITE	W02	TB07-08	01		MT05-2	01	J,AA	JUMPER
ITE	W03	TB07-08	08		TB07-06	08		JUMPER
ITE	W17	TB07-09	08		A01TB1-05	01		JUMPER
		GND	15	G		15	G	
IELD								
ITE	W02	TB07-09	01		MT05-3	01	J,AA	JUMPER
ITE	W03	TB07-10	08		TB16-11	01		JUMPER
ITE	W03	TB07-10	01		E12	01	J	JUMPER
ITE	W03	TB07-11	08		TB07-14	01	J	JUMPER
ITE	W03	TB07-11	01		E13	08		JUMPER
ITE	W03	TB07-11	01		TB07-08	08	J,AA	JUMPER
ITE	W02	TB07-13	01		MT06-1	08		JUMPER
ITE	W03	TB07-13	01		TB07-19	08		JUMPER
ITE	W03	TB07-13	01		TB07-07	08		JUMPER
ITE	W03	TB07-14	01		TB07-18	08		JUMPER
ITE	W03	TB07-14	01		TB07-11	08		JUMPER
ITE	W02	TB07-14	08		MT06-2	01	J,AA	JUMPER
ITE	W17	TB07-15	01		A01TB1-06	15	G	JUMPER
		GND	15	G		15	J,AA	
IELD								
ITE	W02	TB07-15	08		MT06-3	01		JUMPER
ITE	W03	TB07-17	08		TB16-13	08		JUMPER
ITE	W03	TB07-17	01		E14	08	J	JUMPER
ITE	W03	TB07-18	08		TB07-20	01	J	JUMPER
ITE	W03	TB07-18	01		E15	08		JUMPER
ITE	W03	TB07-18	08		TB07-14	01		JUMPER
ITE	W03	TB07-19	08		TB07-13	01		JUMPER
ITE	W03	TB07-19	08		TB08-07	08		JUMPER
ITE	W02	TB07-19	08		MT08-1	08	J,AA	JUMPER
ITE	W02	TB07-19	08		MT07-1	08	J,AA	JUMPER
ITE	W03	TB07-20	08		TB08-03	01		JUMPER
ITE	W02	TB07-20	01		MT07-2	08	J	JUMPER
ITE	W02	TB07-20	01		MT08-2	08	J,AA	JUMPER
ITE	W03	TB07-20	08		TB07-18	08		JUMPER
ITE	W02	TB08-01	08		MT07-3	01	J,AA	JUMPER
ITE	W17	TB08-01	01		A01TB1-07	01		JUMPER
		GND	15			15	G	
IELD								
ITE	W03	TB08-02	08		E16	08	J	JUMPER
ITE	W03	TB08-02	01		TB16-15	08		JUMPER

FIGURE 2-1. Transmitter Cabinet 1 (Sheet 46 of 53)

REV N

² see table 2-2 ³ see table 2-3

PLOR	1		2		3		TO	TERM	2	GEN.	5	LENGTH	REMARKS
	TYPE	FROM	TERM	GEN.	TERM	GEN.							
HITE	W03	TB08-03	08		E17				J		3	IN JUMPER	
HITE	W03	TB08-03	01		TB07-20		08				4	IN JUMPER	
HITE	W03	TB08-03	01		TB08-06		08				5	IN JUMPER	
HITE	W02	TB08-04	08		MT08-3				J,AA		7	IN JUMPER	
HITE	W17	TB08-04	01		A01TB1-08		01				36	FT	
HIELD		GND	15	G	GND		15						
HITE	W03	TB08-05	08		TB16-18		01				30	FT	
HITE	W03	TB08-05	01		E18				J		7	IN JUMPER	
HITE	W03	TB08-06	08		TB08-11		08				4	IN JUMPER	
HITE	W03	TB08-06	08		E19				J		3	IN JUMPER	
HITE	W02	TB08-06	08		MT09-2				J,AA		7	IN JUMPER	
HITE	W03	TB08-06	08		TB08-03		01				5	IN JUMPER	
HITE	W03	TB08-07	08		TB07-19		08				6	IN JUMPER	
HITE	W02	TB08-07	08		MT09-1				J,AA		7	IN JUMPER	
HITE	W03	TB08-07	08		TB08-12		01				4	IN JUMPER	
HITE	W17	TB08-08	08		A01TB8-15		01		AA		36	FT	
HIELD		GND	06	AA	GND		15						
HITE	W02	TB08-08	01		MT09-3				J,AA		7	IN JUMPER	
HITE	W17	TB08-09	08		A01TB8-16		01		AA		36	FT	
HIELD		GND	06	G	GND		15						
HITE	W02	TB08-09	01		MT21-3				J,AA		7	IN JUMPER	
HITE	W03	TB08-10	08		TB16-03		01				30	FT	
HITE	W03	TB08-10	01		E20				J		3	IN JUMPER	
HITE	W03	TB08-11	08		TB08-14		01				4	IN JUMPER	
HITE	W03	TB08-11	08		TB08-06		08				4	IN JUMPER	
HITE	W03	TB08-11	08		E21				J		3	IN JUMPER	
HITE	W02	TB08-11	08		MT10-2				J,AA		7	IN JUMPER	
HITE	W02	TB08-12	08		MT21-1				J,AA		7	IN JUMPER	
HITE	W03	TB08-12	01		TB08-13		01				3	IN JUMPER	
HITE	W03	TB08-13	08		TB09-01		08				6	IN JUMPER	
HITE	W03	TB08-13	01		TB08-12		01				3	IN JUMPER	
HITE	W02	TB08-13	01		MT10-1				J,AA		7	IN JUMPER	
HITE	W02	TB08-14	08		MT21-2				J,AA		7	IN JUMPER	
HITE	W03	TB08-14	01		TB08-18		08				4	IN JUMPER	
HITE	W03	TB08-14	01		TB08-11		08				4	IN JUMPER	
HITE	W17	TB08-15	08		A01TB1-09		01				36	FT	
HIELD		GND	15		GND		15		G				
HITE	W02	TB08-15	01		MT10-3				J,AA		6	IN JUMPER	
HITE	W03	TB08-17	08		TB16-04		01				30	FT	
HITE	W03	TB08-17	01		E22				J		3	IN JUMPER	
HITE	W03	TB08-18	08		TB09-02		08				5	IN JUMPER	
HITE	W03	TB08-18	08		TB08-14		01				4	IN JUMPER	
HITE	W03	TB08-18	08		E23				J		3	IN JUMPER	
HITE	W03	TB09-01	08		TB08-13		08				6	IN JUMPER	

REV N

2 see table 2-2 3 see table 2-3

WIRE NO	SIZE	COLOR	TYPE	FROM	TERM ² GEN. ³	TO	TERM ²	GEN. ³	LENGTH	REMARKS
	18 AWG	WHITE	W03	TB09-01	08	TB09-06	08		4	JUMPER
	20 AWG	WHITE	W02	TB09-01	08	MT11-1	08	J,AA	7	JUMPER
				TB09-01	08	C138(+)	08			COMPONENT LEAD
	18 AWG	WHITE	W03	TB09-02	08	TB09-05	08		4	JUMPER
	18 AWG	WHITE	W03	TB09-02	08	TB08-18	08		5	JUMPER
	20 AWG	WHITE	W02	TB09-02	01	MT11-2	01	J,AA	7	JUMPER
1096A	18 AWG	WHITE	W17	TB09-03	08	A01TB1-10	01		36	FT
1096B		SHIELD		GND	15	GND	15	G		
	20 AWG	WHITE	W02	TB09-03	01	MT11-3	01	J,AA	7	JUMPER
1150	18 AWG	WHITE	W03	TB09-04	08	A01TB4-12	01		36	FT
	18 AWG	WHITE	W03	TB09-04	08	E24	01	J	3	JUMPER
	18 AWG	WHITE	W03	TB09-05	08	TB09-07	01		4	JUMPER
	18 AWG	WHITE	W03	TB09-05	08	TB09-02	08		4	JUMPER
	18 AWG	WHITE	W03	TB09-05	01	E25	01	J	3	JUMPER
	20 AWG	WHITE	W02	TB09-06	01	MT20-1	08	J	13	JUMPER
	18 AWG	WHITE	W03	TB09-06	08	TB09-01	08		4	JUMPER
	20 AWG	WHITE	W02	TB09-07	01	MT20-2	08	J	13	JUMPER
	18 AWG	WHITE	W03	TB09-07	01	TB09-05	08		4	JUMPER
	18 AWG	WHITE	W03	TB09-07	07	E54	01	J	6	JUMPER
	18 AWG	WHITE	W03	TB09-07	07	E57	01	J	50	JUMPER
1097A	18 AWG	WHITE	W17	TB09-08	08	A01TB1-11	01		36	FT
1097B		SHIELD		GND	15	GND	15	G		
	20 AWG	WHITE	W02	TB09-08	01	MT20-3	01	J	13	JUMPER
1580	18 AWG	WHITE	W03	TB09-09	07	A01TB4-15	07		30	FT
	18 AWG	WHITE	W03	TB09-09	07	E55	01	J	6	JUMPER
1583	16 AWG	WHITE	W04	TB09-10	01	A01TB4-16	01		38	FT
	18 AWG	WHITE	W03	TB09-10	07	E56	01	J	50	JUMPER
	18 AWG	WHITE	W03	TB09-10	07	E58	01	J	66	JUMPER
1101	18 AWG	WHITE	W03	TB10-01	01	A08TB1-10	01		5	FT
1117	18 AWG	WHITE	W03	TB10-01	08	A14TB4-20	01		18	FT
	20 AWG	WHITE	W02	TB10-01	08	MT16-1	07	J,AA	10	JUMPER
1118	18 AWG	WHITE	W03	TB10-02	01	PS1-3	07		4	FT
1104	18 AWG	WHITE	W03	TB10-02	08	TB14-02	01		6	FT
	20 AWG	WHITE	W02	TB10-02	08	MT16-2	01	J,AA	10	JUMPER
1102A	18 AWG	WHITE	W17	TB10-03	01	A01TB2-07	01	AA	18	FT
1102B		SHIELD		GND	15	GND	15	G		
	20 AWG	WHITE	W02	TB10-03	08	MT16-3	01	J,AA	10	JUMPER
1105	18 AWG	WHITE	W03	TB11-01	01	TB12-02	01		28	FT
	18 AWG	WHITE	W03	TB11-01	01	S28-COM	01	J	10	JUMPER
	18 AWG	WHITE	W03	TB11-02	01	S28-NC	01	J	10	JUMPER
1107	18 AWG	WHITE	W03	TB11-02	01	A01TB4-05	01		25	FT
	18 AWG	WHITE	W03	TB12-01	01	S27-COM	01	J	7	JUMPER
1112	18 AWG	WHITE	W03	TB12-01	01	TB13-02	01		2	FT
1109	18 AWG	WHITE	W03	TB12-02	01	A01TB4-04	01		30	FT

REV N

WIRE NO	SIZE	COLOR	TYPE ¹	FROM	TERM ² GEN. ³	TO	TERM ²	GEN. ³	LENGTH	REMARKS
1105	18 AWG	WHITE	W03	TB12-02	01	S27-NC	01	J	7 IN	JUMPER
	18 AWG	WHITE	W03	TB12-02	01	TB11-01			28 FT	
	18 AWG	WHITE	W03	TB13-01	01	S26-COM		J	10 IN	JUMPER
1114	18 AWG	WHITE	W03	TB13-01	01	S09-COM		J	32 FT	
1113	18 AWG	WHITE	W03	TB13-02	01	A01TB4-03	01		30 FT	
1112	18 AWG	WHITE	W03	TB13-02	01	TB12-01	01	J	2 FT	JUMPER
	18 AWG	WHITE	W03	TB13-02	01	S26-NC	01		10 IN	
1049	18 AWG	WHITE	W03	TB13-02	01	TB06-03	01		35 FT	
1103	18 AWG	WHITE	W03	TB14-01	01	A08TB1-10	01	J,AA	6 FT	JUMPER
	20 AWG	WHITE	W02	TB14-01	08	A08TB1-10	01		10 IN	JUMPER
				TB14-01	01	MT17-1		J,AA	10 IN	JUMPER
				TB14-01	08	C136(+)			10 IN	JUMPER
1104	20 AWG	WHITE	W02	TB14-02	01	MT17-2	08	J,AA	10 IN	JUMPER
1119A	18 AWG	WHITE	W03	TB14-02	01	TB10-02	01		6 FT	
1119B	18 AWG	WHITE	W17	TB14-03	01	A01TB2-06	01	AA	20 FT	COMPONENT LEAD
		SHIELD		GND	15	GND	15	G	20 FT	JUMPER
1120	20 AWG	WHITE	W02	TB14-03	01	MT17-3	01	J,AA	10 IN	JUMPER
1121A	18 AWG	WHITE	W03	TB15-04	01	A23TB1-06	01		30 FT	
1121B	18 AWG	WHITE	W17	TB15-05	01	A24TB3-13	01		25 FT	
1122A	18 AWG	WHITE	W17	GND	15	GND	15	G	30 FT	
1122B	18 AWG	WHITE	W17	TB15-07	01	A25S1-1	01	AA	30 FT	
1123A	18 AWG	WHITE	W17	GND	14	A25S1-3	01	AA	30 FT	
1123B	18 AWG	WHITE	W17	TB15-08	01	A25S1-3	01	AA	30 FT	
1124A	18 AWG	WHITE	W17	GND	14	GND	14	J,AA	30 FT	
1124B	18 AWG	WHITE	W17	TB15-10	01	A25S1-5	01		30 FT	
1125	18 AWG	WHITE	W03	GND	14	GND	14	J	20 FT	
1046	18 AWG	WHITE	W03	TB16-01	01	E41	01		30 FT	SEP FORM
1141	18 AWG	WHITE	W03	TB16-01	08	TB06-01	01	J	2 FT	JUMPER
				TB16-01	01	CR10(C)	01		2 IN	JUMPER
				TB16-01	08	TB16-02	08		2 IN	JUMPER
				TB16-02	01	TB16-01	42		10 FT	
1126	18 AWG	WHITE	W03	TB16-02	01	K6TB1-01	01	J	10 FT	TOP SIDE
1127	18 AWG	WHITE	W03	TB16-02	08	E35	01	J	10 FT	
1392A	18 AWG	WHITE	W17	TB16-02	08	K2-X1	01	J	20 FT	
1392B	18 AWG	SHIELD		GND	15	GND	15	J	30 FT	
1084	18 AWG	WHITE	W03	TB16-03	01	TB08-10	08	J	2 FT	SEP FORM
1143	18 AWG	WHITE	W03	TB16-03	01	CR29(C)	08		30 FT	
1086	18 AWG	WHITE	W03	TB16-04	01	TB08-17	08	J	2 FT	SEP FORM
1144	18 AWG	WHITE	W03	TB16-04	01	CR37(C)	42		10 FT	
1128	18 AWG	WHITE	W03	TB16-05	01	K6TB1-03	01	J	2 FT	JUMPER
	18 AWG	WHITE	W03	TB16-05	01	TB16-06	01		2 FT	SEP FORM
1145	18 AWG	WHITE	W03	TB16-05	08	CR39(C)	01	J	2 IN	JUMPER
	18 AWG	WHITE	W03	TB16-06	01	TB16-05	01		2 FT	SEP FORM
1068	18 AWG	WHITE	W03	TB16-06	01	TB16-05	01		30 FT	JUMPER
1146	18 AWG	WHITE	W03	TB16-06	01	TB07-05	01	J	20 FT	
				TB16-06	01	E43	01		20 FT	

REV N

FIGURE 2-1. Transmitter Cabinet 1 (Sheet 49 of 53)

¹ see table 2-1 ² see table 2-2 ³ see table 2-3

WIRE NO	SIZE	COLOR	TYPE ¹	FROM	TERM ²	GEN. ³	TO	TERM ²	GEN. ³	LENGTH	REMARKS
1147	18 AWG	WHITE	W03	TB16-06	08		E37	01	J	20 FT	TOP SIDE
1129	18 AWG	WHITE	W03	TB16-07	01		A01TB1-12	01		16 FT	
1051	18 AWG	WHITE	W03	TB16-07	06		TB06-06			30 FT	SEP FORM
1148	18 AWG	WHITE	W03	TB16-07	01		CR10(A)		J	2 FT	TOP SIDE
1149	22 AWG	WHITE	W01	TB16-07	08		K3-1		J	8 FT	
1053	18 AWG	WHITE	W03	TB16-08	01		TB06-11	01		30 FT	
1130	18 AWG	WHITE	W03	TB16-08	08		A01TB1-13	01	J	16 FT	SEP FORM
1530	18 AWG	WHITE	W03	TB16-08	01		CR11(A)		J	2 FT	TOP SIDE
1151	22 AWG	WHITE	W01	TB16-08	08		K3-2		J	8 FT	
1055	18 AWG	WHITE	W03	TB16-09	01		TB06-17	01		30 FT	
1131	18 AWG	WHITE	W03	TB16-09	08		A01TB1-14	01	J	16 FT	SEP FORM
1152	18 AWG	WHITE	W03	TB16-09	01		CR25(A)		J	2 FT	TOP SIDE
1153	22 AWG	WHITE	W01	TB16-09	08		K3-3		J	8 FT	
1132	18 AWG	WHITE	W03	TB16-10	01		A01TB1-15	01	J	16 FT	SEP FORM
1154	18 AWG	WHITE	W03	TB16-10	08		CR29(A)	01		2 FT	JUMPER
							TB16-11	01		2 IN	JUMPER
							TB16-10	08		2 IN	JUMPER
1070	18 AWG	WHITE	W03	TB16-11	01		TB16-10	08		30 FT	
1155	18 AWG	WHITE	W03	TB16-11	01		TB07-10	08	J	8 FT	
1134	22 AWG	WHITE	W01	TB16-11	01		K3-4		J	16 FT	
1156	18 AWG	WHITE	W03	TB16-12	01		A01TB1-16	01	J	2 FT	SEP FORM
							CR34(A)	01		2 FT	JUMPER
							TB16-13	01		2 IN	JUMPER
							TB07-17	08		35 FT	
1072	18 AWG	WHITE	W03	TB16-13	01		E51		J	12 FT	TOP SIDE
1135	18 AWG	WHITE	W03	TB16-13	08		K3-5		J	8 FT	JUMPER
1157	22 AWG	WHITE	W01	TB16-13	01		TB16-12	08		2 IN	JUMPER
							TB16-14	01	J	20 FT	
1136	18 AWG	WHITE	W03	TB16-14	01		E45		J	10 FT	SEP FORM
1137	18 AWG	WHITE	W03	TB16-14	08		E39	01		18 FT	JUMPER
1158	18 AWG	WHITE	W03	TB16-14	01		CR35(A)	01	J	2 IN	JUMPER
							TB16-15	01		30 FT	
1082	18 AWG	WHITE	W03	TB16-15	01		TB08-02	01	J	8 FT	JUMPER
1138	22 AWG	WHITE	W01	TB16-15	08		K3-6		J	2 IN	JUMPER
							TB16-14	08		2 IN	JUMPER
							TB16-16	01		2 IN	TOP SIDE
1139	18 AWG	WHITE	W03	TB16-16	01		E53		J	10 FT	JUMPER
1140	18 AWG	WHITE	W03	TB16-16	08		A01TB1-17	01		12 FT	JUMPER
1159	18 AWG	WHITE	W03	TB16-16	01		TB16-15	08		16 FT	JUMPER
							E47	01		2 FT	SEP FORM
1327	18 AWG	WHITE	W03	TB16-17	01		CR31(C)	08	J	12 FT	SEP FORM
1330	18 AWG	WHITE	W03	TB16-17	01		E49		J	2 FT	
1329	18 AWG	WHITE	W03	TB16-18	01		TB08-05	08	J	12 FT	
1323	18 AWG	WHITE	W03	TB16-18	01		CR42(C)		J	30 FT	SEP FORM
1343	18 AWG	WHITE	W03	TB16-18	01		A23-		J	2 FT	SHIELD FOR 1160,1161,1162,1163
	1/2 IN	BRAID	W50	TB17-	14	AF		14	AF	15 FT	

REV N

FIGURE 2-1. Transmitter Cabinet 1 (Sheet 50 of 53)

¹ see table 2-1 ² see table 2-2 ³ see table 2-3

WIRE NO	SIZE	COLOR	TYPE ¹	FROM	TERM ²	GEN. ³	TO	TERM ²	GEN. ³	LENGTH	REMARKS
1160	8 AWG	WHITE	W13	TB17-01	29	B	A23CB4-1	29	B	16	IN BRAID WITH 1161,1162,1163
1161	8 AWG	WHITE	W13	TB17-02	29	B	A23CB4-3	29	B	16	IN BRAID WITH 1160,1162,1163
1162	8 AWG	WHITE	W13	TB17-03	29	B	A23CB4-5	29	B	16	IN BRAID WITH 1160,1161,1163
1163	8 AWG	WHITE	W13	TB17-04	29	B	TB02-01	29	B	16	IN BRAID WITH 1160,1161,1162
1164	3/8 IN	BRAID	W51	TB17-	14	AG	J20-	14	AG	22	SHIELD FOR 1164,1165
1165	12 AWG	WHITE	W53	TB17-05	51		J20(120V)	54		22	IN BRAID WITH 1165
1166	12 AWG	WHITE	W53	TB17-06	51		J20(COM)	54		22	IN BRAID WITH 1165
1166	18 AWG	WHITE	W03	TB17-07	05		PS1-1	07		20	IN BRAID WITH 1164
1385	18 AWG	WHITE	W03	TB17-07	05		K7-A2	06		25	IN BRAID WITH 1164
				TB17-07		N528	RV1-1				COMPONENT LEAD
1522	18 AWG	WHITE	W03	TB17-08	05		S38TB1-02	01		25	
1167	18 AWG	WHITE	W03	TB17-08	05		PS1-2	07		20	
	3/8 IN	BRAID	W51	TB17-	14	AG	A23-	14	AG	16	SHIELD FOR 1553
1553	8 AWG	WHITE	W13	TB17-09	29	B	A23CB1-1	29	B	16	RUN 3/8" BRAID
1168	18 AWG	WHITE	W03	TB18-01	01		A01TB2-10	01		15	
1245	18 AWG	WHITE	W03	TB18-01	08		S02-NC		J,AA	10	
1527	18 AWG	WHITE	W03	TB18-01	01		TB19-01	01		20	
1249	18 AWG	WHITE	W03	TB18-02	01		S31-NO		J,AA	15	
1338	18 AWG	WHITE	W03	TB18-02	01		S01-COM		J,AA	10	
1302	18 AWG	WHITE	W03	TB18-03	01		S02-NO		J,AA	10	
1366	18 AWG	WHITE	W03	TB18-03	01		TB19-02	01		20	
1303	18 AWG	WHITE	W03	TB19-01	01		S31-NC		J,AA	30	
1304	18 AWG	WHITE	W03	TB19-01	01		S04-NC		J,AA	10	
1527	18 AWG	WHITE	W03	TB19-01	01		TB18-01	01		20	
1309	18 AWG	WHITE	W03	TB19-02	01		S03-COM		J,AA	10	
1366	18 AWG	WHITE	W03	TB19-02	01		TB18-03	01		20	
1328	18 AWG	WHITE	W03	TB19-03	01		S04-NO		J,AA	10	
1336	18 AWG	WHITE	W03	TB19-03	01		S41-COM		J,AA	10	
1347	18 AWG	WHITE	W03	TB20-01	08		S41-NC	01		10	
1348	18 AWG	WHITE	W03	TB20-01	01		S05-NC		J,AA	10	
1344	18 AWG	WHITE	W03	TB20-01	01		TB21-01	01		25	
1345	18 AWG	WHITE	W03	TB20-02	01		S41-NO		J,AA	10	
1356	18 AWG	WHITE	W03	TB20-02	01		S05-COM		J,AA	10	
1346	18 AWG	WHITE	W03	TB20-03	01		S06-NO		J,AA	10	
1357	18 AWG	WHITE	W03	TB20-03	01		S42-COM		J,AA	25	
1344	18 AWG	WHITE	W03	TB21-01	01		TB20-01	01		25	
1352	18 AWG	WHITE	W03	TB21-01	08		S42-NC		J,AA	30	
1353	18 AWG	WHITE	W03	TB21-01	08		S08-NC		J,AA	10	
1169	18 AWG	WHITE	W03	TB21-01	08		A01TB2-11	01		22	
1361	18 AWG	WHITE	W03	TB21-02	01		S42-NO		J,AA	22	
1355	18 AWG	WHITE	W03	TB21-02	01		S07-COM		J,AA	10	
1363	18 AWG	WHITE	W03	TB21-03	01		S08-NO		J,AA	10	
1354	18 AWG	WHITE	W03	TB21-03	08		K7-X1	06		30	
W01	RG223		W44	W01J1			K5-NC-P1			149530-1	

REV N

¹ see table 2-1 ² see table 2-2 ³ see table 2-3

FIGURE 2-1. Transmitter Cabinet 1 (Sheet 51 of 53)

SIZE	COLOR	TYPE	FROM	TERM ²	GEN. ³	TERM ²	GEN. ³	LENGTH	REMARKS
RG223		W44	W19-J1-P2					149541-1	
RG223		W44	W05P2					149547-1	
RG223		W44	W21-P2					149548-1	
RG223		W44	W20-J1-P2					149531-3	IN 3/4 IN BRAID WITH W23,W43,W45
RG223		W44	W22-J1-P2					149532-1	IN 3/4 IN BRAID WITH W21,W43,W45
RG223		W44	W23-J1-P2					149548-2	
RG223		W44	W24-J1-P2					149532-2	IN 3/4 IN BRAID WITH W27,W47
RG223		W44	W25-P2					149548-3	
RG223		W44	W26-J1-P2					149532-3	IN 3/4 IN BRAID WITH W25,W47
RG223		W44	W27-P2					149549-1	
RG223		W44	W28-J1-P2					149533-1	IN 3/4 IN BRAID WITH W31,W51
RG223		W44	W29-P2					149549-2	
RG223		W44	W30-J1-P2					149533-2	IN 3/4 IN BRAID WITH W29,W51
RG223		W44	W31-P2					149549-3	
RG223		W44	W32-J1-P2					149533-3	IN 3/4 IN BRAID WITH W35,W55
RG223		W44	W33-P2					149550-1	
RG223		W44	W34-J1-P2					1495534-1	IN 3/4 IN BRAID WITH W33,W55
RG223		W44	W35-P2					149550-2	
RG223		W44	W36-J1-P2					149534-2	IN 3/4 IN BRAID WITH W39,W61
RG223		W44	W37-P2					149550-3	
RG223		W44	W38-J1-P2					149534-3	IN 3/4 IN BRAID WITH W37,W61
RG223		W44	W39-P2					149551-1	
RG223		W44	W41-P2					149551-2	
RG223		W44	W40-J1-P2					149535-1	IN 3/4 IN BRAID WITH W65,W70
RG223		W44	W42-J1-P2					149535-2	IN 3/4 IN BRAID WITH W21,W23,W45
RG223		W44	W43-P2					149551-3	
RG223		W44	W44-J1-P2					149535-3	IN 3/4 IN BRAID WITH W21,W23,W43
RG223		W44	W45-P2					149552-1	
RG223		W44	W46-J1-P2					149536-1	IN 3/4 IN BRAID WITH W25,W27
RG223		W44	W47P2					149552-2	
RG223		W44	W48-J1-P2					149536-2	
RG223		W44	W49-P2					149552-3	
RG223		W44	W50-J1-P2					149536-3	IN 3/4 IN BRAID WITH W29,W31
RG223		W44	W51-P2					149553-1	
RG223		W44	W52-J1-P2					149537-1	
RG223		W44	W53-P2					149553-2	
RG223		W44	W54-J1-P2					149537-2	IN 3/4 IN BRAID WITH W33,W35
RG223		W44	W55-P2					149553-3	
RG223		W44	W56-J1-P2					149537-3	
RG223		W44	W57-P2					149554-1	
RG223		W44	W58-J1-P2					149538-1	
RG223		W44	W59-P2					149554-2	IN 3/4 IN BRAID WITH W37,W39
RG223		W44	W60-J1-P2					149538-2	
RG223		W44	W61-P2					149554-3	

REV N

FIGURE 2-1. Transmitter Cabinet 1 (Sheet 52 of 53)

¹ see table 2-1 ² see table 2-2 ³ see table 2-3

WIRE NO	SIZE	COLOR	1 TYPE	FROM	TERM 2 GEN. 3	TO	TERM 2 GEN. 3	LENGTH	REMARKS
W63	RG223		44	W62-J1-P2		DC8-3-P1		149538-3	
W62	RG223		44	W63-P2		K4-J6-P1		149556-1	
W65	RG223		44	W64-J1-P2		DC8-4-P1		149539-1	IN BRAID WITH W41,W70
W64	RG223		44	W65-P2		A01AT20-P1		149556-2	
W66	RG223		44	W66-J1-P2		K4-J7-P1		149557-1	
W67	RG223		44	W67-J1-P2		K3-J7-P1		149557-2	
W71	RG223		44	W70-P2		A01CP9-P1		149556-3	
W70	RG223		44	W71-J1-P2		DC8-1-P1		149539-2	IN 3/4 IN BRAID WITH W41,W65
				XV1-SCREEN	J	R03-2			COMPONENT LEAD
				XV2-SCREEN	J	R05-2			COMPONENT LEAD
	18 AWG	BUS	W36	XV3-SCREEN	53	R06-2	31	7	IN
				XV1-GRID		R01-1			COMPONENT LEAD
	18 AWG	BUS	W36	XV2-GRID	42	L06-1	42	5	IN
				XV2-GRID		A03C1-1			COMPONENT LEAD
	18 AWG	BUS	W36	XV3-GRID	42	L12-1	42	6	IN
				XV3-GRID		A04C1-1			COMPONENT LEAD

REV N

1 see table 2-1
2 see table 2-2
3 see table 2-3

FIGURE 2-1. Transmitter Cabin

WIRE NO	SIZE	COLOR	TYPE ¹	FROM	T	EN. 3	TO	TERM ²	GEN. 3	LENGTH	REMARKS
W13	RG 316		W45	A15-J1			J1				150819-1
W5	RG 316		W45	A16-J1			J2				150819-3
W10	RG 316		W45	A17-J1			J3				150838-2
JMPR	22 AWG	BUS	W38	AR1-C	J		C196-01	J	2	IN	+15V
JMPR	22 AWG	BUS	W38	AR1-E	J		C196-LUG	N4	2	IN	GND
W3	RG 316		W45	AR1-J1			AR4-J2				150820-2
W4	RG 316		W45	AR1-J2			HY2-INPUT	J	2	IN	150837-3
JMPR	22 AWG	BUS	W38	AR2-C	J		C197-01	N4	3	IN	+15V
JMPR	22 AWG	BUS	W38	AR2-E	J		C197-LUG	N4	3	IN	GND
W8	RG 316		W45	AR2-J1			AR5-J2				150945-01
W9	RG 316		W45	AR2-J2			HY3-INPUT	J	2	IN	150819-01
JMPR	22 AWG	BUS	W38	AR3-C	J		C200-01	N4	2	IN	
JMPR	22 AWG	BUS	W38	AR3-E	J		C200-LUG	N4	2	IN	
W11	RG 316		W45	AR3-J1			AR1-02				150839-3
W12	RG 316		W45	AR3-J2			HY1-INPUT	N4	3	IN	150837-01
JMPR	22 AWG	BUS	W38	AR4-E1	J		C195-LUG				
W1	RG 316		W45	AR4-J1			AT4-J2				150837-02
W3	RG316		W45	AR4-J2			AR1-J1				150820-02
JMPR	22 AWG	BUS	W38	AR5-E1	J		C193-LUG	N4	2	IN	
W7	RG 316		W45	AR5-J1			AT5-J2				150820-3
W8	RG 316		W45	AR5-J2			AR2-J1				150945-01
W11	RG 316		W45	AT1-02			AR3-J1				150839-3
JMPR	22 AWG	BUS	W38	AT1(+15V)	J		C198-01	J	2	IN	
JMPR	22 AWG	BUS	W38	AT1-G	J		C199-LUG	N4	2	IN	
JMPR/	22 AWG	BUS	W38	AT1-CONT	J		C199-01	J	2	IN	
W15	RG 316		W45	AT2-J1			HY1-02				149737-2
W14	RG 316		W45	AT2-J2			AT3-01				149737-1
W14	RG 316		W45	AT3-01			AT2-J2				149737-1
JMPR	22 AWG	BUS	W38	AT3(+15V)	J		C201-01	J	2	IN	
JMPR	22 AWG	BUS	W38	AT3-G	J		C201-LUG	N4	2	IN	
1868	22 AWG	WHITE	W01	AT3-CONT	J		P28-10	N85	24	IN	ATTEN CONT
W1	RG 316		W45	AT4-J1			AR4-J1				150837-02
W6	RG 316		W45	AT5-J1			K2-J7				150838-01
W7	RG 316		W45	AT5-J2			AR5-J1				150820-3
W21	RG 316		W45	AT9-J2			K1-J1				149736-3
W18	RG 316		W45	AT10-J2			K1-J2				149735-3
W19	RG 316		W45	AT11-J2			K1-J3				149736-01
W16	RG 316		W45	AT12-J2			K1-J4				149735-01
W20	RG 316		W45	AT13-J2			K1-J5				149736-02
W17	RG 316		W45	AT14-J2			K1-J6				149735-02
JMPR	22 AWG	WHITE	W01	C1-01	J	08	TB1-01	N85	4+-02	IN	
1600	22 AWG	WHITE	W01	C1-02	J		P23-10			4	FT
JMPR	22 AWG	WHITE	W01	C2-01	J	08	TB1-02			4+-2	IN
1601	22 AWG	WHITE	W01	C2-02	J		P23-09	N85	4	FT	

REV J

¹ see table 2-1 ² see table 2-2 ³ see table 2-3

WIRE NO	SIZE	COLOR	TYPE ¹	FROM	TERM ²	GEN. ³	TO	TERM ²	GEN. ³	LENGTH	REMARKS
JMPR	22	AWG	W01	C3-01		J	TB1-03	08	N85	4+-02IN	
1602	22	AWG	W01	C3-02		J	P23-08	08	N85	4 FT	
JMPR	22	AWG	W01	C4-01		J	TB1-04	08	N85	4+-02IN	
1603	22	AWG	W01	C4-02		J	P23-07	08	N85	4 FT	
JMPR	22	AWG	W01	C5-01		J	TB1-05	08	N85	4+-02IN	
1604	22	AWG	W01	C5-02		J	P23-06	08	N85	4 FT	
JMPR	22	AWG	W01	C6-01		J	TB1-06	08	N85	4+-02IN	
1605	22	AWG	W01	C6-02		J	P23-05	08	N85	4 FT	
JMPR	22	AWG	W01	C7-01		J	TB1-07	08	N85	4+-02IN	
1606	22	AWG	W01	C7-02		J	P23-04	08	N85	4 FT	
JMPR	22	AWG	W01	C8-01		J	TB1-08	08	N85	4+-02IN	
1607	22	AWG	W01	C8-02		J	P23-03	08	N85	4 FT	
JMPR	22	AWG	W01	C9-01		J	TB1-09	08	N85	4+-02IN	
1608	22	AWG	W01	C9-02		J	P23-02	08	N85	4 FT	
JMPR	22	AWG	W01	C10-01		J	TB1-10	08	N85	4+-02IN	
1609	22	AWG	W01	C10-02		J	P23-01	08	N85	4 FT	
JMPR	22	AWG	W01	C11-01		J	TB1-11	08	N85	4+-02IN	
1610	22	AWG	W01	C11-02		J	P26-01	08	N85	4 FT	
JMPR	36	AWG	W23	C12-01		J	TB1-12	08	N84	4+-02IN	
1611	22	AWG	W01	C12-02		J	P26-09	08	N84	4 FT	
JMPR	36	AWG	W23	C13-01		J	TB1-13	08	N84	4+-02IN	
1612	22	AWG	W01	C13-02		J	P26-08	08	N84	4 FT	
JMPR	36	AWG	W23	C14-01		J	TB1-14	08	N84	4+-02IN	
1613	22	AWG	W01	C14-02		J	P26-07	08	N84	4 FT	
JMPR	36	AWG	W23	C15-01		J	TB1-15	08	N84	4+-02IN	
1614	22	AWG	W01	C15-02		J	P26-04	08	N84	4 FT	
JMPR	36	AWG	W23	C16-01		J	TB1-16	08	N84	4+-02IN	
1615	22	AWG	W01	C16-02		J	P26-05	08	N84	4 FT	
JMPR	36	AWG	W23	C17-01		J	TB1-17	08	N84	4+-02IN	
1616	22	AWG	W01	C17-02		J	P26-06	08	N84	4 FT	
JMPR	22	AWG	W01	C18-01		J	TB1-18	08	N84	4+-02IN	
1617	22	AWG	W01	C18-02		J	P26-02	08	N84	4 FT	
JMPR	22	AWG	W01	C19-01		J	TB2-01	08	N85	4+-02IN	
1618	22	AWG	W01	C19-02		J	P5-10	08	N85	5 FT	
JMPR	22	AWG	W01	C20-01		J	TB2-02	08	N85	4+-02IN	
1619	22	AWG	W01	C20-02		J	P5-09	08	N85	5 FT	
JMPR	22	AWG	W01	C21-01		J	TB2-03	08	N85	4+-02IN	
1620	22	AWG	W01	C21-02		J	P5-08	08	N85	5 FT	
JMPR	22	AWG	W01	C22-01		J	TB2-04	08	N85	4+-02IN	
1621	22	AWG	W01	C22-02		J	P5-07	08	N85	5 FT	
JMPR	22	AWG	W01	C23-01		J	TB2-05	08	N85	4+-02IN	
1622	22	AWG	W01	C23-02		J	P5-06	08	N85	5 FT	
JMPR	22	AWG	W01	C24-01		J	TB2-06	08	N85	4+-02IN	
1623	22	AWG	W01	C24-02		J	P5-05	08	N85	5 FT	

REV J

¹ see table 2-1 ² see table 2-2 ³ see table 2-3

E ¹	FROM	TERM ²	GEN. ³	TO	TERM ²	GEN. ³	LENGTH	REMARKS
	C25-01	J	J	TB2-07	08	N85	4+-02IN	
	C25-02	J	J	P5-04	08	N85	5 FT	
	C26-01	J	J	TB2-08	08	N85	4+-02IN	
	C26-02	J	J	P5-03	08	N85	5 FT	
	C27-01	J	J	TB2-09	08	N85	4+-02IN	
	C27-02	J	J	P5-02	08	N85	5 FT	
	C28-01	J	J	TB2-10	08	N85	4+-02IN	
	C28-02	J	J	P5-01	08	N85	5 FT	
	C29-01	J	J	TB2-11	08	N85	4+-02IN	
	C29-02	J	J	P4-01	08	N85	5 FT	
	C30-01	J	J	TB2-12	08	N85	4+-02IN	
	C30-02	J	J	P4-10	08	N85	5 FT	
	C31-01	J	J	TB2-13	08	N85	4+-02IN	
	C31-02	J	J	P4-05	08	N85	5 FT	
	C32-01	J	J	TB2-14	08	N85	4+-02IN	
	C32-02	J	J	P4-04	08	N85	5 FT	
	C33-01	J	J	TB2-15	08	N85	4+-02IN	
	C33-02	J	J	P4-07	08	N85	5 FT	
	C34-01	J	J	TB2-16	08	N85	4+-02IN	
	C34-02	J	J	P4-06	08	N85	5 FT	
	C35-01	J	J	TB2-17	08	N85	4+-02IN	
	C35-02	J	J	P4-08	08	N85	5 FT	
	C36-01	J	J	TB2-18	08	N85	4+-02IN	
	C36-02	J	J	P4-09	08	N85	5 FT	
	C37-01	J	J	TB3-01	08	N85	4+-02IN	
	C37-02	J	J	P22-02	08	N85	4 FT	
	C38-01	J	J	TB3-02	08	N85	4+-02IN	
	C38-02	J	J	P22-01	08	N85	4 FT	
	C39-01	J	J	TB3-03	08	N85	4+-02IN	
	C39-02	J	J	P22-03	08	N85	4 FT	
	C40-01	J	J	TB3-04	08	N85	4+-02IN	
	C40-02	J	J	P22-10	08	N85	4 FT	
	C41-01	J	J	TB3-05	08	N85	4+-02IN	
	C41-02	J	J	P22-09	08	N85	4 FT	
	C42-01	J	J	TB3-06	08	N85	4+-02IN	
	C42-02	J	J	P22-06	08	N85	4 FT	
	C43-01	J	J	TB3-07	08	N85	4+-02IN	
	C43-02	J	J	P22-07	08	N85	4 FT	
	C44-01	J	J	TB3-08	08	N85	4+-02IN	
	C44-02	J	J	P22-05	08	N85	4 FT	
	C45-01	J	J	TB3-09	08	N85	4+-02IN	
	C45-02	J	J	P22-04	08	N85	4 FT	
	C46-01	J	J	TB3-10	08	N85	4+-02IN	
	C46-02	J	J	P22-08	08	N85	4 FT	

REV J

³ see table 2-3

WIRE NO	SIZE	COLOR	TYPE	FROM	TERM ²	GEN. ³	TO	TERM ²	GEN. ³	LENGTH	REMARKS
JMPR	22	WG WHITE	W01	C47-01	J	J	TB3-11	08	N84	4+-02IN	
1646	22	WG WHITE	W01	C47-02	J	J	P21-05	08	N84	4 FT	
JMPR	22	WG WHITE	W01	C48-01	J	J	TB3-12	08	N84	4+-02IN	
1647	22	WG WHITE	W01	C48-02	J	J	P21-03	08	N84	4 FT	
JMPR	22	WG WHITE	W01	C49-01	J	J	TB3-13	08	N84	4+-02IN	
1648	22	WG WHITE	W01	C49-02	J	J	P21-04	08	N84	4 FT	
JMPR	22	WG WHITE	W01	C50-01	J	J	TB3-14	08	N84	4+-02IN	
1649	22	WG WHITE	W01	C50-02	J	J	P21-08	08	N84	4 FT	
JMPR	22	WG WHITE	W01	C51-01	J	J	TB3-15	08		4+-02IN	
JMPR	22	WG WHITE	W01	C52-01	J	J	TB3-16	08		4+-02IN	
JMPR	22	WG WHITE	W01	C53-01	J	J	TB3-17	08	N84	4+-02IN	
1652	22	WG WHITE	W01	C53-02	J	J	P21-09	08	N84	4 FT	
JMPR	22	WG WHITE	W01	C54-01	J	J	TB3-18	08	N84	4+-02IN	
1653	22	WG WHITE	W01	C54-02	J	J	P21-10	08	N84	4 FT	
JMPR	22	WG WHITE	W01	C55-01	J	J	TB4-01	08	N85	4+-02IN	
1654	22	WG WHITE	W01	C55-02	J	J	P19-03	08	N85	4 FT	
JMPR	36	WG MAGNET	W23	C56-01	J	J	TB4-02	08	N85	4+-02IN	
1655	22	WG WHITE	W01	C56-02	J	J	P19-02	08	N85	4 FT	
JMPR	22	WG WHITE	W01	C57-01	J	J	TB4-03	08	N85	4+-02IN	
1656	22	WG WHITE	W01	C57-02	J	J	P19-08	08	N85	4 FT	
JMPR	22	WG WHITE	W01	C58-01	J	J	TB4-04	08	N85	4+-02IN	
1657	22	WG WHITE	W01	C58-02	J	J	P19-10	08	N85	4 FT	
JMPR	22	WG WHITE	W01	C59-01	J	J	TB4-05	08	N85	4+-02IN	
1658	22	WG WHITE	W01	C59-02	J	J	P19-05	08	N85	4 FT	
JMPR	22	WG WHITE	W01	C60-01	J	J	TB4-06	08	N85	4+-02IN	
1659	22	WG WHITE	W01	C60-02	J	J	P19-06	08	N85	4 FT	
JMPR	22	WG WHITE	W01	C61-01	J	J	TB4-07	08	N85	4+-02IN	
1660	22	WG WHITE	W01	C61-02	J	J	P19-07	08	N85	4 FT	
JMPR	22	WG WHITE	W01	C62-01	J	J	TB4-08	08	N85	4+-02IN	
1661	22	WG WHITE	W01	C62-02	J	J	P19-04	08	N85	4 FT	
JMPR	22	WG WHITE	W01	C63-01	J	J	TB4-09	08	N85	4+-02IN	
1662	22	WG WHITE	W01	C63-02	J	J	P19-06	08	N85	4 FT	
JMPR	22	WG WHITE	W01	C64-01	J	J	TB4-10	08	N85	4+-02IN	
1663	22	WG WHITE	W01	C64-02	J	J	P19-09	08	N85	4 FT	
JMPR	22	WG WHITE	W01	C65-01	J	J	TB4-11	08	N84	4+-02IN	
1664	22	WG WHITE	W01	C65-02	J	J	P24-08	08	N84	5 FT	
JMPR	22	WG WHITE	W01	C66-01	J	J	TB4-12	08	N84	4+-02IN	
1665	22	WG WHITE	W01	C66-02	J	J	P24-09	08	N84	4 FT	
JMPR	22	WG WHITE	W01	C67-01	J	J	TB4-13	08	N84	4+-02IN	
1666	22	WG WHITE	W01	C67-02	J	J	P24-03	08	N84	4 FT	
1805	22	WG WHITE	W01	C67-02	J	J	XDS28-12	08		6 FT	2 WIRES IN XDS28-12(SEE C205-2)
JMPR	22	WG WHITE	W01	C68-01	J	J	TB4-14	08	N84	4+-02IN	
1667	22	WG WHITE	W01	C68-02	J	J	P24-04	08	N84	4 FT	
JMPR	22	WG WHITE	W01	C69-01	J	J	TB4-15	08	N84	4+-02IN	

WIRE NO	SIZE	COLOR	TYPE	FROM	TO	TERM	GEN.	2	3	TERM	GEN.	3	LENGTH	REMARKS
1690	22	AWG	W01	C91-02	P15-09		J			08	N85		4 FT	
JMPR	22	AWG	W01	C92-01	TB6-02		J				N85		4+-02IN	
1691	22	AWG	W01	C92-02	P15-08		J			08	N85		4 FT	
JMPR	22	AWG	W01	C93-01	TB6-03		J				N85		4+-02IN	
1692	22	AWG	W01	C93-02	P15-07		J			08	N85		4 FT	
JMPR	22	AWG	W01	C94-01	TB6-04		J				N85		4+-02IN	
1693	22	AWG	W01	C94-02	P15-06		J			08	N85		4 FT	
JMPR	22	AWG	W01	C95-01	TB6-05		J				N85		4+-02IN	
1694	22	AWG	W01	C95-02	P15-05		J			08	N85		4 FT	
JMPR	22	AWG	W01	C96-01	TB6-06		J				N85		4+-02IN	
1695	22	AWG	W01	C96-02	P15-01		J			08	N85		4 FT	
JMPR	22	AWG	W01	C97-01	TB6-07		J				N85		4+-02IN	
1696	22	AWG	W01	C97-02	P15-02		J			08	N85		4 FT	
JMPR	22	AWG	W01	C98-01	TB6-08		J				N85		4+-02IN	
1697	22	AWG	W01	C98-02	P15-03		J			08	N85		4 FT	
JMPR	22	AWG	W01	C99-01	TB6-09		J				N85		4+-02IN	
1698	22	AWG	W01	C99-02	P15-04		J			08	N85		4 FT	
JMPR	22	AWG	W01	C100-01	TB6-10		J				N85		4+-02IN	
1699	22	AWG	W01	C100-02	P15-10		J			08	N85		4 FT	
JMPR	22	AWG	W01	C101-01	TB6-11		J				N85		4+-02IN	
1700	22	AWG	W01	C101-02	P25-08		J			08	N85		5 FT	
1864	22	AWG	W01	C101-02	C201-02		J				J		42 IN	
JMPR	22	AWG	W01	C102-01	TB6-12		J			08	N85		4+-02IN	
1701	22	AWG	W01	C102-02	P25-06		J				N85		4 FT	
JMPR	22	AWG	W01	C103-01	TB6-13		J			08	N85		4+-02IN	
1702	22	AWG	W01	C103-02	P25-07		J				N85		4 FT	
JMPR	22	AWG	W01	C104-01	TB6-14		J			08	N85		4+-02IN	
1703	22	AWG	W01	C104-02	P25-03		J				N85		4 FT	
JMPR	22	AWG	W01	C105-01	TB6-15		J			08	N85		4+-02IN	
1704	22	AWG	W01	C105-02	P25-04		J				N85		4 FT	
JMPR	22	AWG	W01	C106-01	TB6-16		J			08	N85		4+-02IN	
1705	22	AWG	W01	C106-02	P25-01		J				N85		4 FT	
JMPR	22	AWG	W01	C107-01	TB6-17		J			08	N85		4+-02IN	
1706	22	AWG	W01	C107-02	P25-02		J				N85		4 FT	
JMPR	22	AWG	W01	C108-01	TB6-18		J			08	N85		4+-02IN	
1707	22	AWG	W01	C108-02	P25-05		J				N85		4 FT	
JMPR	22	AWG	W01	C109-01	TB7-01		J			08	N85		4+-02IN	
1708	22	AWG	W01	C109-02	P11-06		J				N85		5 FT	
JMPR	22	AWG	W01	C110-01	TB7-02		J			08	N85		4+-02IN	
1709	22	AWG	W01	C110-02	P11-04		J				N85		5 FT	
JMPR	22	AWG	W01	C111-01	TB7-03		J			08	N85		4+-02IN	
1710	22	AWG	W01	C111-02	P11-05		J				N85		5 FT	
JMPR	22	AWG	W01	C112-01	TB7-04		J			08	N85		4+-02IN	
1711	22	AWG	W01	C112-02	P11-02		J				N85		5 FT	

REV J

¹ see table 2-1

² see table 2-2

³ see table 2-3

WIRE NO	SIZE	COLOR	TYPE	FROM	TERM ²	GEN. ³	TO	TERM ²	GEN. ³	LENGTH	REMARKS
JMPR 1712	22	AWG WHITE	W01	C113-01	J	J	TB7-05	08	N85	4+-02IN	
JMPR 1712	22	AWG WHITE	W01	C113-02	J	J	P11-03	08	N85	5 FT	
JMPR 1712	22	AWG WHITE	W01	C114-01	J	J	TB7-06	08	N85	4+-02IN	
JMPR 1712	22	AWG WHITE	W01	C115-01	J	J	TB7-07	08	N85	4+-02IN	
JMPR 1712	22	AWG WHITE	W01	C116-01	J	J	TB7-08	08	N85	4+-02IN	
JMPR 1712	22	AWG WHITE	W01	C117-01	J	J	TB7-09	08	N85	4+-02IN	
JMPR 1712	22	AWG WHITE	W01	C118-02	J	J	P7-02	08	N85	5 FT	
JMPR 1712	22	AWG WHITE	W01	C119-02	J	J	P11-01	08	N85	5 FT	
JMPR 1712	22	AWG WHITE	W01	C120-01	J	J	TB7-12	08	N85	4+-02IN	
JMPR 1712	22	AWG WHITE	W01	C120-02	J	J	P7-07	08	N85	5 FT	
JMPR 1712	22	AWG WHITE	W01	C121-01	J	J	TB7-13	08	N85	4+-02IN	
JMPR 1712	22	AWG WHITE	W01	C121-02	J	J	P7-08	08	N85	5 FT	
JMPR 1712	22	AWG WHITE	W01	C122-01	J	J	TB7-14	08	N85	4+-02IN	
JMPR 1712	22	AWG WHITE	W01	C122-02	J	J	P7-09	08	N85	5 FT	
JMPR 1712	22	AWG WHITE	W01	C123-01	J	J	TB7-15	08	N85	4+-02IN	
JMPR 1712	22	AWG WHITE	W01	C123-02	J	J	P7-10	08	N85	5 FT	
JMPR 1712	22	AWG WHITE	W01	C124-01	J	J	TB7-16	08	N85	4+-02IN	
JMPR 1712	22	AWG WHITE	W01	C124-02	J	J	P7-06	08	N85	5 FT	
JMPR 1712	22	AWG WHITE	W01	C125-01	J	J	TB7-17	08	N85	4+-02IN	
JMPR 1712	22	AWG WHITE	W01	C125-02	J	J	P7-05	08	N85	5 FT	
JMPR 1712	22	AWG WHITE	W01	C126-01	J	J	TB7-18	08	N85	4+-02IN	
JMPR 1712	22	AWG WHITE	W01	C126-02	J	J	P7-01	08	N85	5 FT	
JMPR 1712	22	AWG WHITE	W01	C127-01	J	J	TB8-01	08	N85	4+-02IN	
JMPR 1712	22	AWG WHITE	W01	C127-02	J	J	P16-03	08	N85	4 FT	
JMPR 1712	22	AWG WHITE	W01	C128-01	J	J	TB8-02	08	N85	4+-02IN	
JMPR 1712	22	AWG WHITE	W01	C128-02	J	J	P16-04	08	N85	4 FT	
JMPR 1712	22	AWG WHITE	W01	C129-01	J	J	TB8-03	08	N85	4+-02IN	
JMPR 1712	22	AWG WHITE	W01	C129-02	J	J	P16-02	08	N85	4 FT	
JMPR 1712	22	AWG WHITE	W01	C130-01	J	J	TB8-04	08	N85	4+-02IN	
JMPR 1712	22	AWG WHITE	W01	C130-02	J	J	P16-05	08	N85	4 FT	
JMPR 1712	22	AWG WHITE	W01	C131-01	J	J	TB8-05	08	N85	4+-02IN	
JMPR 1712	22	AWG WHITE	W01	C131-02	J	J	P16-01	08	N85	4 FT	
JMPR 1712	22	AWG WHITE	W01	C132-01	J	J	TB8-06	08	N85	4+-02IN	
JMPR 1712	22	AWG WHITE	W01	C132-02	J	J	P16-06	08	N85	4 FT	
JMPR 1712	22	AWG WHITE	W01	C133-01	J	J	TB8-07	08	N85	4+-02IN	
JMPR 1712	22	AWG WHITE	W01	C133-02	J	J	P16-07	08	N85	4 FT	
JMPR 1712	22	AWG WHITE	W01	C134-01	J	J	TB8-08	08	N85	4+-02IN	
JMPR 1712	22	AWG WHITE	W01	C134-02	J	J	P16-08	08	N85	4 FT	
JMPR 1712	22	AWG WHITE	W01	C135-01	J	J	TB8-09	08	N85	4+-02IN	
JMPR 1712	22	AWG WHITE	W01	C135-02	J	J	P16-09	08	N85	4 FT	
JMPR 1712	22	AWG WHITE	W01	C136-01	J	J	TB8-10	08	N85	4+-02IN	
JMPR 1712	22	AWG WHITE	W01	C136-02	J	J	P16-10	08	N85	4 FT	
JMPR 1712	22	AWG WHITE	W01	C137-01	J	J	TB8-11	08	N85	4+-02IN	
JMPR 1712	22	AWG WHITE	W01	C137-02	J	J	P20-01	08	N85	4 FT	

REV J

WIRE NO	SIZE	COLOR	TYPE ¹	FROM	TERM ²	GEN. ³	TO	TERM ²	GEN. ³	LENGTH	REMARKS
1869	22	AWG	W01	C182-02	J	J	C189-02	J	J	12	IN
JMPR	22	AWG	W38	C183-01	J	J	K2-03	J	J	2	IN
1870	22	AWG	W01	C183-02	J	J	C188-02	J	J	12	IN
JMPR	22	AWG	W38	C184-01	J	J	K2-02	J	J	4	IN
1871	22	AWG	W01	C184-02	J	J	C187-02	J	J	12	IN
JMPR	22	AWG	W38	C185-01	J	J	K2-01	J	J	2	IN
1872	22	AWG	W01	C185-02	J	J	C186-02	J	J	12	IN
JMPR	22	AWG	W38	C186-01	J	J	K1-01	J	J	2	IN
1856	22	AWG	W01	C186-02	J	J	P27-01	N85	N85	42	IN
1872	22	AWG	W01	C186-02	J	J	C185-02	J	J	12	IN
JMPR	22	AWG	W38	C187-01	J	J	K1-02	J	J	4	IN
1857	22	AWG	W01	C187-02	J	J	P27-02	N85	N85	42	IN
1871	22	AWG	W01	C187-02	J	J	C184-02	J	J	12	IN
JMPR	22	AWG	W38	C188-01	J	J	K1-03	J	J	2	IN
1858	22	AWG	W01	C188-02	J	J	P27-03	N85	N85	42	IN
1870	22	AWG	W01	C188-02	J	J	C183-02	J	J	12	IN
JMPR	22	AWG	W38	C189-01	J	J	K1-04	J	J	2	IN
1869	22	AWG	W01	C189-02	J	J	C182-02	J	J	12	IN
1859	22	AWG	W01	C189-02	J	J	P27-04	N85	N85	42	IN
JMPR	22	AWG	W38	C190-01	J	J	K1-05	J	J	2	IN
1825	22	AWG	W01	C190-02	J	J	C181-02	J	J	12	IN
1860	22	AWG	W01	C190-02	J	J	P27-05	N85	N85	42	IN
JMPR	22	AWG	W38	C191-01	J	J	K1-06	J	J	2	IN
JMPR	22	AWG	W38	C191-LUG	N4	N4	K1-COM	J	J	2	IN
1773	22	AWG	W01	C191-02	J	J	C180-02	J	J	12	IN
1861	22	AWG	W01	C191-02	J	J	P27-06	N85	N85	41	IN
1874	22	AWG	W01	C193-02	J	J	C197-02	J	J	15	IN
1875	22	AWG	W01	C193-02	J	J	C196-02	J	J	12	IN
1876	22	AWG	W01	C195-02	J	J	C196-02	J	J	12	IN
1877	22	AWG	W01	C195-02	J	J	C198-02	J	J	12	IN
JMPR	22	AWG	W38	C196-01	J	J	AR1-C	J	J	2	IN
1875	22	AWG	W01	C196-02	J	J	C193-02	J	J	12	IN
1876	22	AWG	W01	C196-02	J	J	C195-02	J	J	12	IN
JMPR	22	AWG	W38	C196-LUG	N4	N4	AR1-E	J	J	2	IN
JMPR	22	AWG	W38	C197-01	J	J	AR2-C	J	J	2	IN
1874	22	AWG	W01	C197-02	J	J	C193-02	J	J	15	IN
JMPR	22	AWG	W38	C197-LUG	N4	N4	AR2-E	J	J	3	IN
JMPR	22	AWG	W38	C198-01	J	J	AT1(+15)	J	J	12	IN
1877	22	AWG	W01	C198-02	J	J	C195-02	J	J	24	IN
JMPR	22	AWG	W38	C199-01	J	J	AT1-CONT	J	J	2	IN
1862	22	AWG	W01	C199-02	J	J	P28-01	N85	N85	24	IN
JMPR	22	AWG	W38	C199-LUG	N4	N4	AT1-G	J	J	2	IN
JMPR	22	AWG	W38	C200-01	J	J	AR3-C	J	J	2	IN
JMPR	22	AWG	W38	C200-LUG	N4	N4	AR3-E	J	J	2	IN

REV J

¹ see table 2-1 ² see table 2-2 ³ see table 2-3

3	TO	TERM	2	3	GEN.	LENGTH	REMARKS
	S1A-C1			J		72	IN
	S1B-C1			J		72	IN
	S2B-10			J		60	IN
	S2B-08			J		60	IN
	S2A-11			J		60	IN
	S2B-09			J		60	IN
	S2A-04			J		60	IN
	S2A-05			J		60	IN
	S2A-06			J		60	IN
	S1A-10			J		72	IN
	S2B-C1			J		60	IN
	S2A-C1			J		60	IN
	S1A-01			J		72	IN
	S1A-02			J		72	IN
	S1A-03			J		72	IN
	S1A-07			J		72	IN
	S1A-08			J		72	IN
	S1A-09			J		72	IN
	S2B-07			J		60	IN
	S2B-01			J		60	IN
	S2B-02			J		60	IN
	S2B-03			J		60	IN
	S13B-03			J		42	IN
	S13B-05			J		42	IN
	S2A-01			J		60	IN
	S2A-02			J		60	IN
	S2A-03			J		60	IN
	C29-02			J		60	IN
	C32-02			J		60	IN
	C31-02			J		60	IN
	C34-02			J		60	IN
	C33-02			J		60	IN
	C35-02			J		60	IN
	C36-02			J		60	IN
	C30-02			J		60	IN
	C28-02			J		60	IN
	C27-02			J		60	IN
	C26-02			J		60	IN
	C25-02			J		60	IN
	C24-02			J		60	IN
	C23-02			J		60	IN
	C22-02			J		60	IN
	C21-02			J		60	IN
	C20-02			J		60	IN

WIRE NO	SIZE	COLOR	TYPE	FROM	TERM 2	GEN. 3	TO	TERM 2	GEN. 3	LENGTH	REMARKS
1618	22	AWG	W01	P5-10	N85	N85	C19-02	J	J	60	IN
1834	22	AWG	W01	P6-02	N85	N85	XDS9-25	J	J	72	IN
1832	22	AWG	W01	P6-03	N85	N85	XDS7-25	J	J	72	IN
1833	22	AWG	W01	P6-04	N85	N85	XDS8-25	J	J	72	IN
1829	22	AWG	W01	P6-05	N85	N85	XDS4-25	J	J	72	IN
1831	22	AWG	W01	P6-06	N85	N85	XDS6-25	J	J	72	IN
1826	22	AWG	W01	P6-07	N85	N85	XDS1-25	J	J	72	IN
1830	22	AWG	W01	P6-08	N85	N85	XDS5-25	J	J	72	IN
1827	22	AWG	W01	P6-09	N85	N85	XDS2-25	J	J	72	IN
1828	22	AWG	W01	P6-10	N85	N85	XDS3-25	J	J	72	IN
1725	22	AWG	W01	P7-01	N85	N85	C126-02	J	J	60	IN
1718	22	AWG	W01	P7-02	N85	N85	C118-02	J	J	60	IN
1749	22	AWG	W01	P7-03	N85	N85	C160-02	J	J	60	IN
1748	22	AWG	W01	P7-04	N85	N85	C159-02	J	J	60	IN
1724	22	AWG	W01	P7-05	N85	N85	C125-02	J	J	60	IN
1723	22	AWG	W01	P7-06	N85	N85	C124-02	J	J	60	IN
1719	22	AWG	W01	P7-07	N85	N85	C120-02	J	J	60	IN
1720	22	AWG	W01	P7-08	N85	N85	C121-02	J	J	60	IN
1721	22	AWG	W01	P7-09	N85	N85	C122-02	J	J	60	IN
1722	22	AWG	W01	P7-10	N85	N85	C123-02	J	J	60	IN
1835	22	AWG	W01	P8-01	N85	N85	XDS10-25	J	J	42	IN
1836	22	AWG	W01	P8-02	N85	N85	XDS11-25	J	J	42	IN
1839	22	AWG	W01	P8-03	N85	N85	XDS13-25	J	J	42	IN
1837	22	AWG	W01	P8-04	N85	N85	XDS12-25	J	J	42	IN
1843	22	AWG	W01	P8-08	N85	N85	C203-02	J	J	42	IN
1841	22	AWG	W01	P8-09	N85	N85	XDS14-01	J	J	42	IN
1840	22	AWG	W01	P8-10	N85	N85	XDS14-05	J	J	42	IN
1823	22	AWG	W01	P9-01	N85	N85	C204-02	J	J	42	IN
1788	22	AWG	W01	P9-02	N85	N85	XDS19-07	N64	N64	42	IN
1803	22	AWG	W01	P9-03	N85	N85	XDS26-18	N64	N64	42	IN
1790	22	AWG	W01	P9-04	N85	N85	XDS19-17	N64	N64	42	IN
JMPR	22	AWG	W01	P9-05	N85	N85	E5	J	J	8	IN
1802	22	AWG	W01	P9-06	N85	N85	XDS26-17	N63	N63	42	IN
1813	22	AWG	W01	P9-07	N85	N85	S13A-C3	J	J	42	IN
1811	22	AWG	W01	P9-08	N85	N85	S13A-C2	J	J	42	IN
1812	22	AWG	W01	P9-09	N85	N85	S13A-06	J	J	42	IN
1801	22	AWG	W01	P9-10	N85	N85	XDS26-08	N64	N64	42	IN
1807	22	AWG	W01	P10-01	N85	N85	S13A-02	J	J	36	IN
1821	22	AWG	W01	P10-02	N85	N85	S13C-C2	J	J	36	IN
1792	22	AWG	W01	P10-03	N85	N85	XDS17-18	N63	N63	48	IN
1824	22	AWG	W01	P10-04	N85	N85	C206-02	J	J	36	IN
1786	22	AWG	W01	P10-08	N85	N85	XDS17-08	N64	N64	36	IN
1814	22	AWG	W01	P10-09	N85	N85	S13B-01	J	J	36	IN
1815	22	AWG	W01	P10-10	N85	N85	S13B-02	J	J	36	IN

2 WIRES IN XDS19-7(SEE XDS26-12)
 2 WIRES IN XDS26-18(SEE S13A-1)
 2 WIRES IN XDS19-17(SEE S13A-5)
 JUMPER

2 WIRES IN XDS26-8(SEE XDS28-17)

2 WIRES IN XDS17-8(SEE XDS20-12)

REV J

WIRE NO	SIZE	COLOR	TYPE ¹	FROM	TERM ²	GEN. ³	TO	TERM ²	GEN. ³	LENGTH	REMARKS
1717	22	AWG	WHITE	W01	P11-01	N85	C119-02		J	60	IN
1711	22	AWG	WHITE	W01	P11-02	N85	C112-02		J	60	IN
1712	22	AWG	WHITE	W01	P11-03	N85	C113-02		J	60	IN
1709	22	AWG	WHITE	W01	P11-04	N85	C110-02		J	60	IN
1710	22	AWG	WHITE	W01	P11-05	N85	C111-02		J	60	IN
1708	22	AWG	WHITE	W01	P11-06	N85	C109-02		J	60	IN
1844	22	AWG	WHITE	W01	P12-01	N85	XDS17-25		N63	42	IN
1853	22	AWG	WHITE	W01	P12-02	N85	XDS26-25		N63	36	IN
1855	22	AWG	WHITE	W01	P12-03	N85	XDS27-25		N63	36	IN
1845	22	AWG	WHITE	W01	P12-04	N85	XDS18-25		N63	42	IN
1846	22	AWG	WHITE	W01	P12-05	N85	XDS19-25		N63	42	IN
1793	22	AWG	WHITE	W01	P12-06	N85	XDS20-17		N63	42	IN
1794	22	AWG	WHITE	W01	P12-07	N85	XDS21-17		N63	42	IN
1795	22	AWG	WHITE	W01	P12-08	N85	XDS22-17		N63	42	IN
1796	22	AWG	WHITE	W01	P12-09	N85	XDS23-17		N63	42	IN
1797	22	AWG	WHITE	W01	P12-10	N85	XDS24-17		N63	42	IN
1800	22	AWG	WHITE	W01	P13-01	N85	XDS25-17		N63	36	IN
1847	22	AWG	WHITE	W01	P13-04	N85	XDS20-25		N63	36	IN
1848	22	AWG	WHITE	W01	P13-05	N85	XDS21-05		N63	36	IN
1849	22	AWG	WHITE	W01	P13-06	N85	XDS22-25		N63	36	IN
1850	22	AWG	WHITE	W01	P13-07	N85	XDS23-25		N63	36	IN
1851	22	AWG	WHITE	W01	P13-08	N85	XDS24-25		N63	36	IN
1852	22	AWG	WHITE	W01	P13-09	N85	XDS25-25		N63	36	IN
1674	22	AWG	WHITE	W01	P14-01	N85	C75-02		J	60	IN
1675	22	AWG	WHITE	W01	P14-02	N85	C76-02		J	60	IN
1676	22	AWG	WHITE	W01	P14-03	N85	C77-02		J	60	IN
1685	22	AWG	WHITE	W01	P14-04	N85	C86-02		J	60	IN
1683	22	AWG	WHITE	W01	P14-05	N85	C84-02		J	60	IN
1681	22	AWG	WHITE	W01	P14-06	N85	C82-02		J	60	IN
1682	22	AWG	WHITE	W01	P14-07	N85	C83-02		J	60	IN
1684	22	AWG	WHITE	W01	P14-08	N85	C85-02		J	60	IN
1686	22	AWG	WHITE	W01	P14-09	N85	C87-02		J	60	IN
1679	22	AWG	WHITE	W01	P14-10	N85	C80-02		J	60	IN
1695	22	AWG	WHITE	W01	P15-01	N85	C96-02		J	60	IN
1696	22	AWG	WHITE	W01	P15-02	N85	C97-02		J	60	IN
1697	22	AWG	WHITE	W01	P15-03	N85	C98-02		J	60	IN
1698	22	AWG	WHITE	W01	P15-04	N85	C99-02		J	60	IN
1694	22	AWG	WHITE	W01	P15-05	N85	C95-02		J	60	IN
1693	22	AWG	WHITE	W01	P15-06	N85	C94-02		J	60	IN
1692	22	AWG	WHITE	W01	P15-07	N85	C93-02		J	60	IN
1691	22	AWG	WHITE	W01	P15-08	N85	C92-02		J	60	IN
1690	22	AWG	WHITE	W01	P15-09	N85	C91-02		J	60	IN
1699	22	AWG	WHITE	W01	P15-10	N85	C100-02		J	60	IN
1730	22	AWG	WHITE	W01	P16-01	N85	C131-02		J	60	IN

REV J

¹ see table 2-1

² see table 2-2

³ see table 2-3

FIGURE 2-2. Control/Status Panel 1A1 (Sheet 13 of 25)

WIRE NO	SIZE	COLOR	TYPE	FROM	TERM ² GEN. ³	TO	TERM ² GEN. ³	LENGTH	REMARKS
1728	22 AWG	WHITE	W01	P16-02	N85	C129-02	J	60	IN
1726	22 AWG	WHITE	W01	P16-03	N85	C127-02	J	60	IN
1727	22 AWG	WHITE	W01	P16-04	N85	C128-02	J	60	IN
1729	22 AWG	WHITE	W01	P16-05	N85	C130-02	J	60	IN
1731	22 AWG	WHITE	W01	P16-06	N85	C132-02	J	60	IN
1732	22 AWG	WHITE	W01	P16-07	N85	C133-02	J	60	IN
1733	22 AWG	WHITE	W01	P16-08	N85	C134-02	J	60	IN
1734	22 AWG	WHITE	W01	P16-09	N85	C135-02	J	60	IN
1735	22 AWG	WHITE	W01	P16-10	N85	C136-02	J	60	IN
1759	22 AWG	WHITE	W01	P17-04	N85	S1B-01	J	72	IN
1760	22 AWG	WHITE	W01	P17-05	N85	S1B-02	J	72	IN
1761	22 AWG	WHITE	W01	P17-06	N85	S1B-03	J	72	IN
1762	22 AWG	WHITE	W01	P17-07	N85	S1B-04	J	72	IN
1763	22 AWG	WHITE	W01	P17-08	N85	S1B-05	J	72	IN
1764	22 AWG	WHITE	W01	P17-09	N85	S1B-06	J	72	IN
1672	22 AWG	WHITE	W01	P18-01	N85	C73-02	J	60	IN
1673	22 AWG	WHITE	W01	P18-02	N85	C74-02	J	60	IN
1678	22 AWG	WHITE	W01	P18-03	N85	C79-02	J	60	IN
1688	22 AWG	WHITE	W01	P18-04	N85	C89-02	J	60	IN
1677	22 AWG	WHITE	W01	P18-05	N85	C78-02	J	60	IN
1680	22 AWG	WHITE	W01	P18-06	N85	C81-02	J	60	IN
1687	22 AWG	WHITE	W01	P18-09	N85	C88-02	J	60	IN
1689	22 AWG	WHITE	W01	P18-10	N85	C90-02	J	60	IN
1659	22 AWG	WHITE	W01	P19-01	N85	C60-02	J	60	IN
1655	22 AWG	WHITE	W01	P19-02	N85	C56-02	J	60	IN
1654	22 AWG	WHITE	W01	P19-03	N85	C55-02	J	60	IN
1661	22 AWG	WHITE	W01	P19-04	N85	C62-02	J	60	IN
1658	22 AWG	WHITE	W01	P19-05	N85	C59-02	J	60	IN
1662	22 AWG	WHITE	W01	P19-06	N85	C63-02	J	60	IN
1660	22 AWG	WHITE	W01	P19-07	N85	C61-02	J	60	IN
1656	22 AWG	WHITE	W01	P19-08	N85	C57-02	J	60	IN
1663	22 AWG	WHITE	W01	P19-09	N85	C64-02	J	60	IN
1657	22 AWG	WHITE	W01	P19-10	N85	C58-02	J	60	IN
1736	22 AWG	WHITE	W01	P20-01	N85	C137-02	J	60	IN
1742	22 AWG	WHITE	W01	P20-02	N85	C143-02	J	60	IN
1743	22 AWG	WHITE	W01	P20-03	N85	C144-02	J	60	IN
1744	22 AWG	WHITE	W01	P20-04	N85	C145-02	J	60	IN
1745	22 AWG	WHITE	W01	P20-05	N85	C146-02	J	60	IN
1739	22 AWG	WHITE	W01	P20-06	N85	C140-02	J	60	IN
1738	22 AWG	WHITE	W01	P20-07	N85	C139-02	J	60	IN
1737	22 AWG	WHITE	W01	P20-08	N85	C138-02	J	60	IN
1740	22 AWG	WHITE	W01	P20-09	N85	C141-02	J	60	IN
1741	22 AWG	WHITE	W01	P20-10	N85	C142-02	J	60	IN
1647	22 AWG	WHITE	W01	P21-03	N84	C48-02	J	60	IN

REV J

FIGURE 2-2. Control/Status Panel 1A1 (Sheet 14 of 25)

¹ see table 2-1 ² see table 2-2 ³ see table 2-3

ZE	COLOR	TYPE	FROM	TERM	GEN.	TO	TERM	GEN.	LENGTH	REMARKS
		1		2	3		2	3		
AWG	WHITE	W01	P21-04		N84	C49-02		J	60	IN
AWG	WHITE	W01	P21-05		N84	C47-02		J	60	IN
AWG	WHITE	W01	P21-08		N84	C50-02		J	60	IN
AWG	WHITE	W01	P21-09		N84	C53-02		J	4	FT
AWG	WHITE	W01	P21-10		N84	C54-02		J	60	IN
AWG	WHITE	W01	P22-01		N85	C38-02		J	60	IN
AWG	WHITE	W01	P22-02		N85	C37-02		J	60	IN
AWG	WHITE	W01	P22-03		N85	C39-02		J	60	IN
AWG	WHITE	W01	P22-04		N85	C45-02		J	60	IN
AWG	WHITE	W01	P22-05		N85	C44-02		J	60	IN
AWG	WHITE	W01	P22-06		N85	C42-02		J	60	IN
AWG	WHITE	W01	P22-07		N85	C43-02		J	60	IN
AWG	WHITE	W01	P22-08		N85	C46-02		J	60	IN
AWG	WHITE	W01	P22-09		N85	C41-02		J	60	IN
AWG	WHITE	W01	P22-10		N85	C40-02		J	60	IN
AWG	WHITE	W01	P23-01		N85	C10-02		J	60	IN
AWG	WHITE	W01	P23-02		N85	C9-02		J	60	IN
AWG	WHITE	W01	P23-03		N85	C8-02		J	60	IN
AWG	WHITE	W01	P23-04		N85	C7-02		J	60	IN
AWG	WHITE	W01	P23-05		N85	C6-02		J	60	IN
AWG	WHITE	W01	P23-06		N85	C5-02		J	60	IN
AWG	WHITE	W01	P23-07		N85	C4-02		J	60	IN
AWG	WHITE	W01	P23-08		N85	C3-02		J	60	IN
AWG	WHITE	W01	P23-09		N85	C2-02		J	60	IN
AWG	WHITE	W01	P23-10		N85	C1-02		J	60	IN
AWG	WHITE	W01	P24-01		N84	C72-02		J	60	IN
AWG	WHITE	W01	P24-02		N84	C71-02		J	60	IN
AWG	WHITE	W01	P24-03		N84	C67-02		J	60	IN
AWG	WHITE	W01	P24-04		N84	C68-02		J	60	IN
AWG	WHITE	W01	P24-07		N84	C154-02		J	60	IN
AWG	WHITE	W01	P24-08		N84	C65-02		J	60	IN
AWG	WHITE	W01	P24-09		N84	C66-02		J	60	IN
AWG	WHITE	W01	P24-10		N84	C70-02		J	4	FT
AWG	WHITE	W01	P25-01		N85	C106-02		J	60	IN
AWG	WHITE	W01	P25-02		N85	C107-02		J	60	IN
AWG	WHITE	W01	P25-03		N85	C104-02		J	60	IN
AWG	WHITE	W01	P25-04		N85	C105-02		J	60	IN
AWG	WHITE	W01	P25-05		N85	C108-02		J	60	IN
AWG	WHITE	W01	P25-06		N85	C102-02		J	60	IN
AWG	WHITE	W01	P25-07		N85	C103-02		J	60	IN
AWG	WHITE	W01	P25-08		N85	C101-02		J	60	IN
AWG	WHITE	W01	P25-09		N84	C157-02		J	4	FT
AWG	WHITE	W01	P26-01		N84	C11-02		J	60	IN
AWG	WHITE	W01	P26-02		N84	C18-02		J	60	IN

REV J

see table 2-1 2 see table 2-2 3 see table 2-3

FIGURE 2-2. Control/Status Panel 1A1 (Sheet 15 of 25)

COLOR	TYPE	FROM	TERM ²	GEN. ³	TO	TERM ²	GEN. ³	LENGTH	REMARKS
WG	WHITE	P26-04	N84	N84	C15-02	J	J	60	IN
WG	WHITE	P26-05	N84	N84	C16-02	J	J	60	IN
WG	WHITE	P26-06	N84	N84	C17-02	J	J	60	IN
WG	WHITE	P26-07	N84	N84	C14-02	J	J	60	IN
WG	WHITE	P26-08	N84	N84	C13-02	J	J	60	IN
WG	WHITE	P26-09	N84	N84	C12-02	J	J	60	IN
WG	WHITE	P27-01	N85	N85	C186-02	J	J	42	IN
WG	WHITE	P27-02	N85	N85	C187-02	J	J	42	IN
WG	WHITE	P27-03	N85	N85	C188-02	J	J	42	IN
WG	WHITE	P27-04	N85	N85	C189-02	J	J	42	IN
WG	WHITE	P27-05	N85	N85	C190-02	J	J	42	IN
WG	WHITE	P27-06	N85	N85	C191-02	J	J	42	IN
WG	WHITE	P28-01	N85	N85	C199-02	J	J	24	IN
WG	WHITE	P28-05	N85	N85	J3-C	J	J	24	IN
WG	WHITE	P28-07	N85	N85	J1-C	J	J	24	IN
WG	WHITE	P28-09	N85	N85	J2-C	J	J	24	IN
WG	WHITE	P28-10	N85	N85	AT3-CONTROL	J	J	24	IN
WG	WHITE	S1A-01	J	J	P2-05	N85	N85	72	IN
WG	WHITE	S1A-02	J	J	P2-06	N85	N85	72	IN
WG	WHITE	S1A-03	J	J	P2-07	N85	N85	72	IN
WG	WHITE	S1A-04	J	J	S1-LUG	J	J	2	IN
WG	BUS	S1A-04	J	J	S1A-05	J	J	2	IN
WG	BUS	S1A-05	J	J	S1A-04	J	J	2	IN
WG	BUS	S1A-05	J	J	S1A-06	J	J	2	IN
WG	BUS	S1A-06	J	J	S1A-05	J	J	2	IN
WG	BUS	S1A-06	J	J	S1A-07	J	J	2	IN
WG	WHITE	S1A-07	J	J	P2-08	N85	N85	72	IN
WG	WHITE	S1A-08	J	J	P2-09	N85	N85	72	IN
WG	WHITE	S1A-09	J	J	P2-10	N85	N85	72	IN
WG	WHITE	S1A-10	J	J	P1-10	N85	N85	72	IN
WG	WHITE	S1A-C1	J	J	P01-01	N85	N85	72	IN
WG	WHITE	S1B-01	J	J	P17-04	N85	N85	72	IN
WG	WHITE	S1B-02	J	J	P17-05	N85	N85	72	IN
WG	WHITE	S1B-03	J	J	P17-06	N85	N85	72	IN
WG	WHITE	S1B-04	J	J	P17-07	N85	N85	72	IN
WG	WHITE	S1B-05	J	J	P17-08	N85	N85	72	IN
WG	WHITE	S1B-06	J	J	P17-09	N85	N85	72	IN
WG	BUS	S1B-07	J	J	S1A-06	J	J	2	IN
WG	BUS	S1B-07	J	J	S1B-08	J	J	2	IN
WG	BUS	S1B-08	J	J	S1B-07	J	J	2	IN
WG	BUS	S1B-08	J	J	S1B-09	J	J	2	IN
WG	BUS	S1B-09	J	J	S1B-08	J	J	2	IN
WG	BUS	S1B-09	J	J	S1B-10	J	J	2	IN
WG	BUS	S1B-10	J	J	S1B-09	J	J	2	IN

ADL CNTRL
 REVERSE POWER SAMPLE
 INPUT POWER SAMPLE
 FORWARD POWER SAMPLE
 ATTENUATION CONTROL

REV J

¹ see table 2-1

² see table 2-2

³ see table 2-3

M	TERM	2	3	TO	TERM	2	3	GEN.	3	LENGTH	REMARKS
-C1				P1-02				N85		72	IN
LUG			J	S1A-04				J		2	IN
LUG			J	XDS1-01				N64		18	IN
-01			J	P3-08				N85		60	IN
-02			J	P3-09				N85		60	IN
-03			J	P3-10				N85		60	IN
-04			J	P1-07				N85		60	IN
-05			J	P1-08				N85		60	IN
-06			J	P01-09				N85		60	IN
-07			J	S2B-06				J		2	IN
-07			J	S2A-08				J		2	IN
-08			J	S2A-07				J		2	IN
-08			J	S2A-09				J		2	IN
-09			J	S2A-08				J		2	IN
-09			J	S2A-10				J		2	IN
-10			J	S2A-09				J		2	IN
-10			J	S2B-11				J		2	IN
-10			J	S2B-11				J		2	IN
-C1			J	P02-04				N85		60	IN
-11			J	P01-05				N85		60	IN
-01			J	P03-02				N85		60	IN
-02			J	P03-03				N85		60	IN
-03			J	P03-04				N85		60	IN
-04			J	S2-LUG				J		2	IN
-04			J	S2B-05				J		2	IN
-05			J	S2B-04				J		2	IN
-05			J	S2B-06				J		2	IN
-06			J	S2B-05				J		2	IN
-06			J	S2A-07				J		2	IN
-07			J	P3-01				N85		60	IN
-08			J	P1-04				N85		60	IN
-09			J	P1-06				N85		60	IN
-10			J	P1-03				N85		60	IN
-C1			J	S2A-10				J		2	IN
-LUG			J	P2-03				N85		60	IN
3A-01			J	S2B-04				J		2	IN
3A-02			J	XDS26-18				N64		30	IN
3A-03			J	P10-01				N85		36	IN
3A-04			J	E4				J		41	IN
3A-05			J	S13C-04				J		2	IN
3A-03			J	XDS27-01				N64		24	IN
3A-04			J	S13B-C2				J		2	IN
3A-04			J	C205-02				J		40	IN
3A-C2			J	P9-08				N85		41	IN
3A-05			J	XDS19-17				N64		24	IN

2 WIRES IN XDS26-18(SEE P9-3)

2 WIRES IN XDS27-1(SEE XDS26-1)

2 WIRES IN XDS19-17(SEE P9-4)

see table 2-3

REV J

E ¹	FROM	TERM ²	GEN. ³	TO	TERM ²	GEN. ³	LENGTH	REMARKS
	S13A-06			P9-09		N85	41	IN
	S13A-C3		J	P9-07		N85	41	IN
	S13B-01		J	P10-09		N85	41	IN
	S13B-02		J	P10-10		N85	36	IN
	S13B-C1		J	S13C-03		J	2	IN
	S13B-C1		J	XDS25-12		N64	36	IN
	S13B-03		J	P3-06		J	41	IN
	S13B-C2		J	S13A-04		J	2	IN
	S13B-04		J	C69-02		J	7	FT
	S13B-05		J	P3-07		N85	41	IN
	S13B-C3		J	S13C-04		J	2	IN
	S13C-01		J	C140-02		J	60	IN
	S13C-02		J	C138-2		J	60	IN
	S13C-C1		J	XDS14-25		N63	20	IN
	S13C-03		J	S13B-C1		J	2	IN
	S13C-04		J	S13B-C3		J	2	IN
	S13C-04		J	S13A-03		J	2	IN
	S13C-C2		J	P10-02		N85	36	IN
	TB1-01	08		C1-1		J	4+-02	IN
	TB1-02	08		C2-01		J	4+-2	IN
	TB1-03	08		C3-01		J	4+-02	IN
	TB1-04	08		C4-01		J	4+-02	IN
	TB1-05	08		C5-01		J	4+-02	IN
	TB1-06	08		C6-01		J	4+-02	IN
	TB1-07	08		C7-01		J	4+-02	IN
	TB1-08	08		C8-01		J	4+-02	IN
	TB1-09	08		C9-01		J	4+-02	IN
	TB1-10	08		C10-01		J	4+-02	IN
	TB1-11	08		C11-01		J	4+-02	IN
	TB1-12	08		C12-01		J	4+-02	IN
	TB1-13	08		C13-01		J	4+-02	IN
	TB1-14	08		C14-01		J	4+-02	IN
	TB1-15	08		C15-01		J	4+-02	IN
	TB1-16	08		C16-01		J	4+-02	IN
	TB1-17	08		C17-01		J	4+-02	IN
	TB1-18	08		C18-01		J	4+-02	IN
	TB1-19	08		C147-01		J	4+-02	IN
	TB1-20	08		C148-01		J	4+-02	IN
	TB2-01	08		C19-1		J	4+-2	IN
	TB2-02	08		C20-01		J	4+-02	IN
	TB2-03	08		C21-01		J	4+-02	IN
	TB2-04	08		C22-01		J	4+-02	IN
	TB2-05	08		C23-01		J	4+-02	IN
	TB2-06	08		C24-01		J	4+-02	IN

REV J

FIGURE 2-2. Control/Status Panel 1A1 (Sheet 18 of 25)

² see table 2-2 ³ see table 2-3

WIRE NO	SIZE	COLOR	TYPE ¹	FROM	TERM ²	GEN. ³	TO	TERM ²	GEN. ³	LENGTH	REMARKS
JMPR	22	AWG	WHITE	W01	TB2-07	08	C25-01	08	J	4+-02IN	
JMPR	22	AWG	WHITE	W01	TB2-08	08	C26-01	08	J	4+-02IN	
JMPR	22	AWG	WHITE	W01	TB2-09	08	C27-01	08	J	4+-02IN	
JMPR	22	AWG	WHITE	W01	TB2-10	08	C28-01	08	J	4+-02IN	
JMPR	22	AWG	WHITE	W01	TB2-11	08	C29-01	08	J	4+-02IN	
JMPR	22	AWG	WHITE	W01	TB2-12	08	C30-01	08	J	4+-02IN	
JMPR	22	AWG	WHITE	W01	TB2-13	08	C31-01	08	J	4+-02IN	
JMPR	22	AWG	WHITE	W01	TB2-14	08	C32-01	08	J	4+-02IN	
JMPR	22	AWG	WHITE	W01	TB2-15	08	C33-01	08	J	4+-02IN	
JMPR	22	AWG	WHITE	W01	TB2-16	08	C34-01	08	J	4+-02IN	
JMPR	22	AWG	WHITE	W01	TB2-17	08	C35-01	08	J	4+-02IN	
JMPR	22	AWG	WHITE	W01	TB2-18	08	C36-01	08	J	4+-02IN	
JMPR	22	AWG	WHITE	W01	TB2-19	08	C149-01	08	J	4+-02IN	
JMPR	22	AWG	WHITE	W01	TR2-20	08	C150-01	08	J	4+-02IN	
JMPR	22	AWG	WHITE	W01	TB3-01	08	C37-1	08	J	4+-2 IN	
JMPR	22	AWG	WHITE	W01	TB3-02	08	C38-01	08	J	4+-02IN	
JMPR	22	AWG	WHITE	W01	TB3-03	08	C39-01	08	J	4+-02IN	
JMPR	22	AWG	WHITE	W01	TB3-04	08	C40-01	08	J	4+-02IN	
JMPR	22	AWG	WHITE	W01	TB3-05	08	C41-01	08	J	4+-02IN	
JMPR	22	AWG	WHITE	W01	TB3-06	08	C42-01	08	J	4+-02IN	
JMPR	22	AWG	WHITE	W01	TB3-07	08	C43-01	08	J	4+-02IN	
JMPR	22	AWG	WHITE	W01	TB3-08	08	C44-01	08	J	4+-02IN	
JMPR	22	AWG	WHITE	W01	TB3-09	08	C45-01	08	J	4+-02IN	
JMPR	22	AWG	WHITE	W01	TB3-10	08	C46-01	08	J	4+-02IN	
JMPR	22	AWG	WHITE	W01	TB3-11	08	C47-01	08	J	4+-02IN	
JMPR	22	AWG	WHITE	W01	TB3-12	08	C48-01	08	J	4+-02IN	
JMPR	22	AWG	WHITE	W01	TB3-13	08	C49-01	08	J	4+-02IN	
JMPR	22	AWG	WHITE	W01	TB3-14	08	C50-01	08	J	4+-02IN	
JMPR	22	AWG	WHITE	W01	TB3-15	08	C51-01	08	J	4+-02IN	
JMPR	22	AWG	WHITE	W01	TB3-16	08	C52-01	08	J	4+-02IN	
JMPR	22	AWG	WHITE	W01	TB3-17	08	C53-01	08	J	4+-02IN	
JMPR	22	AWG	WHITE	W01	TB3-18	08	C54-01	08	J	4+-02IN	
JMPR	22	AWG	WHITE	W01	TB3-19	08	C151-01	08	J	4+-02IN	
JMPR	22	AWG	WHITE	W01	TB3-20	08	C152-01	08	J	4+-02IN	
JMPR	22	AWG	WHITE	W01	TB4-01	08	C55-1	08	J	4+-02IN	
JMPR	36	AWG	MAGNET	W23	TB4-02	08	C56-01	08	J	4+-2 IN	
JMPR	22	AWG	WHITE	W01	TB4-03	08	C57-01	08	J	4+-02IN	
JMPR	22	AWG	WHITE	W01	TB4-04	08	C58-01	08	J	4+-02IN	
JMPR	22	AWG	WHITE	W01	TB4-05	08	C59-01	08	J	4+-02IN	
JMPR	22	AWG	WHITE	W01	TB4-06	08	C60-01	08	J	4+-02IN	
JMPR	22	AWG	WHITE	W01	TB4-07	08	C61-01	08	J	4+-02IN	
JMPR	22	AWG	WHITE	W01	TB4-08	08	C62-01	08	J	4+-02IN	
JMPR	22	AWG	WHITE	W01	TB4-09	08	C63-01	08	J	4+-02IN	
JMPR	22	AWG	WHITE	W01	TB4-10	08	C64-01	08	J	4+-02IN	

REV J

¹ see table 2-1 ² see table 2-2 ³ see table 2-3

FIGURE 2-2. Control/Status Panel 1A1 (Sheet 19 of 25)

WIRE NO	SIZE	COLOR	TYPE	FROM	TERM 2	GEN. 3	TO	TERM 2	GEN. 3	LENGTH	REMARKS
JMPR	22	AWG	WHITE	W01	TB4-11	08	C65-01		J	4+-02IN	
JMPR	22	AWG	WHITE	W01	TB4-12	08	C66-01		J	4+-02IN	
JMPR	22	AWG	WHITE	W01	TB4-13	08	C67-01		J	4+-02IN	
JMPR	22	AWG	WHITE	W01	TB4-14	08	C68-01		J	4+-02IN	
JMPR	22	AWG	WHITE	W01	TB4-15	08	C69-01		J	4+-02IN	
JMPR	22	AWG	WHITE	W01	TB4-16	08	C70-01		J	4+-02IN	
JMPR	22	AWG	WHITE	W01	TB4-17	08	C71-01		J	4+-02IN	
JMPR	22	AWG	WHITE	W01	TB4-18	08	C72-01		J	4+-02IN	
JMPR	22	AWG	WHITE	W01	TB4-19	08	C153-01		J	4+-02IN	
JMPR	22	AWG	WHITE	W01	TB4-20	08	C154-01		J	4+-02IN	
JMPR	22	AWG	WHITE	W01	TB5-01	08	C73-1		J	4+-02IN	
JMPR	22	AWG	WHITE	W01	TB5-02	08	C74-01		J	4+-2 IN	
JMPR	22	AWG	WHITE	W01	TB5-03	08	C75-01		J	4+-02IN	
JMPR	22	AWG	WHITE	W01	TB5-04	08	C76-01		J	4+-02IN	
JMPR	22	AWG	WHITE	W01	TB5-05	08	C77-01		J	4+-02IN	
JMPR	22	AWG	WHITE	W01	TB5-06	08	C78-01		J	4+-02IN	
JMPR	22	AWG	WHITE	W01	TB5-07	08	C79-01		J	4+-02IN	
JMPR	22	AWG	WHITE	W01	TB5-08	08	C80-01		J	4+-02IN	
JMPR	22	AWG	WHITE	W01	TB5-09	08	C81-01		J	4+-02IN	
JMPR	22	AWG	WHITE	W01	TB5-10	08	C82-01		J	4+-02IN	
JMPR	22	AWG	WHITE	W01	TB5-11	08	C83-01		J	4+-02IN	
JMPR	22	AWG	WHITE	W01	TB5-12	08	C84-01		J	4+-02IN	
JMPR	22	AWG	WHITE	W01	TB5-13	08	C85-01		J	4+-02IN	
JMPR	22	AWG	WHITE	W01	TB5-14	08	C86-01		J	4+-02IN	
JMPR	22	AWG	WHITE	W01	TB5-15	08	C87-01		J	4+-02IN	
JMPR	22	AWG	WHITE	W01	TB5-16	08	C88-01		J	4+-02IN	
JMPR	22	AWG	WHITE	W01	TB5-17	08	C89-01		J	4+-02IN	
JMPR	22	AWG	WHITE	W01	TB5-18	08	C90-01		J	4+-02IN	
JMPR	22	AWG	WHITE	W01	TB5-19	08	C155-01		J	4+-02IN	
JMPR	22	AWG	WHITE	W01	TB5-20	08	C156-01		J	4+-02IN	
JMPR	22	AWG	WHITE	W01	TB6-01	08	C91-1		J	4+-02IN	
JMPR	22	AWG	WHITE	W01	TB6-02	08	C92-01		J	4+-2 IN	
JMPR	22	AWG	WHITE	W01	TB6-03	08	C93-01		J	4+-02IN	
JMPR	22	AWG	WHITE	W01	TB6-04	08	C94-01		J	4+-02IN	
JMPR	22	AWG	WHITE	W01	TB6-05	08	C95-01		J	4+-02IN	
JMPR	22	AWG	WHITE	W01	TB6-06	08	C96-01		J	4+-02IN	
JMPR	22	AWG	WHITE	W01	TB6-07	08	C97-01		J	4+-02IN	
JMPR	22	AWG	WHITE	W01	TB6-08	08	C98-01		J	4+-02IN	
JMPR	22	AWG	WHITE	W01	TB6-09	08	C99-01		J	4+-02IN	
JMPR	22	AWG	WHITE	W01	TB6-10	08	C100-01		J	4+-02IN	
JMPR	22	AWG	WHITE	W01	TB6-11	08	C101-01		J	4+-02IN	
JMPR	22	AWG	WHITE	W01	TB6-12	08	C102-01		J	4+-02IN	
JMPR	22	AWG	WHITE	W01	TB6-13	08	C103-01		J	4+-02IN	
JMPR	22	AWG	WHITE	W01	TB6-14	08	C104-01		J	4+-02IN	

REV J

1 see table 2-1 2 see table 2-2 3 see table 2-3

FIGURE 2-2. Control/Status Panel 1A1 (Sheet 20 of 25)

WIRE NO	SIZE	COLOR	TYPE	FROM	TERM ²	GEN. ³	TO	TERM ²	GEN. ³	LENGTH	REMARKS
JMPR	22	AWG	WHITE	W01	TB6-15	08	C105-01	08	J	4+-02IN	
JMPR	22	AWG	WHITE	W01	TB6-16	08	C106-01	08	J	4+-02IN	
JMPR	22	AWG	WHITE	W01	TB6-17	08	C107-01	08	J	4+-02IN	
JMPR	22	AWG	WHITE	W01	TB6-18	08	C108-01	08	J	4+-02IN	
JMPR	22	AWG	WHITE	W01	TB6-19	08	C109-01	08	J	4+-02IN	
JMPR	22	AWG	WHITE	W01	TB6-20	08	C110-01	08	J	4+-02IN	
JMPR	22	AWG	WHITE	W01	TB7-01	08	C111-01	08	J	4+-02 IN	
JMPR	22	AWG	WHITE	W01	TB7-02	08	C112-01	08	J	4+-02IN	
JMPR	22	AWG	WHITE	W01	TB7-03	08	C113-01	08	J	4+-02IN	
JMPR	22	AWG	WHITE	W01	TB7-04	08	C114-01	08	J	4+-02IN	
JMPR	22	AWG	WHITE	W01	TB7-05	08	C115-01	08	J	4+-02IN	
JMPR	22	AWG	WHITE	W01	TB7-06	08	C116-01	08	J	4+-02IN	
JMPR	22	AWG	WHITE	W01	TB7-07	08	C117-01	08	J	4+-02IN	
JMPR	22	AWG	WHITE	W01	TB7-08	08	C120-01	08	J	4+-02IN	
JMPR	22	AWG	WHITE	W01	TB7-09	08	C121-01	08	J	4+-02IN	
JMPR	22	AWG	WHITE	W01	TB7-12	08	C122-01	08	J	4+-02IN	
JMPR	22	AWG	WHITE	W01	TB7-13	08	C123-01	08	J	4+-02IN	
JMPR	22	AWG	WHITE	W01	TB7-14	08	C124-01	08	J	4+-02IN	
JMPR	22	AWG	WHITE	W01	TB7-15	08	C125-01	08	J	4+-02IN	
JMPR	22	AWG	WHITE	W01	TB7-16	08	C126-01	08	J	4+-02IN	
JMPR	22	AWG	WHITE	W01	TB7-17	08	C127-1	08	J	4+-02IN	
JMPR	22	AWG	WHITE	W01	TB7-18	08	C128-01	08	J	4+-2 IN	
JMPR	22	AWG	WHITE	W01	TB7-19	08	C129-01	08	J	4+-02IN	
JMPR	22	AWG	WHITE	W01	TB7-20	08	C130-01	08	J	4+-02IN	
JMPR	22	AWG	WHITE	W01	TB8-01	08	C131-01	08	J	4+-02IN	
JMPR	22	AWG	WHITE	W01	TB8-02	08	C132-01	08	J	4+-02IN	
JMPR	22	AWG	WHITE	W01	TB8-03	08	C133-01	08	J	4+-02IN	
JMPR	22	AWG	WHITE	W01	TB8-04	08	C134-01	08	J	4+-02IN	
JMPR	22	AWG	WHITE	W01	TB8-05	08	C135-01	08	J	4+-02IN	
JMPR	22	AWG	WHITE	W01	TB8-06	08	C136-01	08	J	4+-02IN	
JMPR	22	AWG	WHITE	W01	TB8-07	08	C137-01	08	J	4+-02IN	
JMPR	22	AWG	WHITE	W01	TB8-08	08	C138-01	08	J	4+-02IN	
JMPR	22	AWG	WHITE	W01	TB8-09	08	C139-01	08	J	4+-02IN	
JMPR	22	AWG	WHITE	W01	TB8-10	08	C140-01	08	J	4+-02IN	
JMPR	22	AWG	WHITE	W01	TB8-11	08	C141-01	08	J	4+-02IN	
JMPR	22	AWG	WHITE	W01	TB8-12	08	C142-01	08	J	4+-02IN	
JMPR	22	AWG	WHITE	W01	TB8-13	08	C143-01	08	J	4+-02IN	
JMPR	36	AWG	MAGNET	W23	TB8-14	08	C144-01	08	J	4+-02IN	
JMPR	22	AWG	WHITE	W01	TB8-15	08	C145-01	08	J	4+-02IN	
JMPR	22	AWG	WHITE	W01	TB8-16	08	C146-01	08	J	4+-02IN	
JMPR	22	AWG	WHITE	W01	TB8-17	08		08	J	4+-02IN	
JMPR	22	AWG	WHITE	W01	TB8-18	08		08	J	4+-02IN	
JMPR	22	AWG	WHITE	W01	TB8-19	08		08	J	4+-02IN	
JMPR	22	AWG	WHITE	W01	TB8-20	08		08	J	4+-02IN	

REV J

¹ see table 2-1 ² see table 2-2 ³ see table 2-3

FIGURE 2-2. Control/Status Panel 1A1 (Sheet 21 of 25)

WIRE NO	SIZE	COLOR	TYPE	FROM	TERM ² GEN. ³	TO	TERM ² GEN. ³	LENGTH	REMARKS
1842	22 AWG	WHITE	W01	XDS17-01	N64	XDS13-1		36	2 WIRES IN XDS17-1
JMPR	22 AWG	WHITE	W01	XDS17-01		XDS17-13		2	2 WIRES IN XDS17-1
1785	22 AWG	WHITE	W01	XDS17-08	N64	XDS20-12	J	12	
1786	22 AWG	WHITE	W01	XDS17-08		P10-8	N85	72	+15V SWITCH, 2 WIRES IN XDS17-8
JMPR	22 AWG	WHITE	W01	XDS17-13	N64	XDS18-01		4	2 WIRES IN XDS17-13
JMPR	22 AWG	WHITE	W01	XDS17-13		XDS17-01		2	2 WIRES IN XDS17-13
1792	22 AWG	WHITE	W01	XDS17-18	N63	P10-03	N85	48	
1844	22 AWG	WHITE	W01	XDS17-25	N63	P12-01	N85	42	
JMPR	22 AWG	WHITE	W01	XDS18-01	N64	XDS17-13		4	2 WIRES IN XDS18-1
JMPR	22 AWG	WHITE	W01	XDS18-01		XDS19-1		2	2 WIRES IN XDS18-1
1845	22 AWG	WHITE	W01	XDS18-25	N63	P12-04	N85	41	
JMPR	22 AWG	WHITE	W01	XDS19-01	N64	XDS18-1		4	2 WIRES IN XDS19-1
JMPR	22 AWG	WHITE	W01	XDS19-01		XDS20-1	J	4	2 WIRES IN XDS19-1
1788	22 AWG	WHITE	W01	XDS19-07	N64	P9-02	N85	41	2 WIRES IN XDS19-7
1789	22 AWG	WHITE	W01	XDS19-07		XDS26-12		24	2 WIRES IN XDS19-7
1790	22 AWG	WHITE	W01	XDS19-17	N64	P9-04	N85	41	2 WIRES IN XDS19-17
1791	22 AWG	WHITE	W01	XDS19-17		S13A-05		24	2 WIRES IN XDS19-17
1846	22 AWG	WHITE	W01	XDS19-25	N63	P12-05	N85	41	
JMPR	22 AWG	WHITE	W01	XDS20-01	N64	XDS19-1		4	2 WIRES IN XDS20-1
JMPR	22 AWG	WHITE	W01	XDS20-01		XDS20-07		2	2 WIRES IN XDS20-1
JMPR	22 AWG	WHITE	W01	XDS20-07	N64	XDS20-01		2	2 WIRES IN XDS20-7
JMPR	22 AWG	WHITE	W01	XDS20-07		XDS21-01		3	2 WIRES IN XDS20-7
1785	22 AWG	WHITE	W01	XDS20-12	N64	XDS17-08		12	2 WIRES IN XDS20-12
JMPR	22 AWG	WHITE	W01	XDS20-12		XDS21-12		3	2 WIRES IN XDS20-12
1793	22 AWG	WHITE	W01	XDS20-17	N63	P12-06	N85	41	
1847	22 AWG	WHITE	W01	XDS20-25	N63	P13-04	N85	36	
JMPR	22 AWG	WHITE	W01	XDS21-01	N64	XDS20-07		3	2 WIRES IN XDS21-1
JMPR	22 AWG	WHITE	W01	XDS21-01		XDS21-07		2	2 WIRES IN XDS21-1
JMPR	22 AWG	WHITE	W01	XDS21-07	N64	XDS21-01		2	2 WIRES IN XDS21-7
JMPR	22 AWG	WHITE	W01	XDS21-07		XDS22-01		3	2 WIRES IN XDS21-7
JMPR	22 AWG	WHITE	W01	XDS21-12	N64	XDS20-12		3	2 WIRES IN XDS21-12
JMPR	22 AWG	WHITE	W01	XDS21-12		XDS22-12		3	2 WIRES IN XDS21-12
1794	22 AWG	WHITE	W01	XDS21-17	N63	P12-07	N85	41	
1848	22 AWG	WHITE	W01	XDS21-05	N63	P13-05	N85	36	
JMPR	22 AWG	WHITE	W01	XDS22-01	N64	XDS21-07		3	2 WIRES IN XDS22-1
JMPR	22 AWG	WHITE	W01	XDS22-01		XDS22-07		2	2 WIRES IN XDS22-1
JMPR	22 AWG	WHITE	W01	XDS22-07	N63	XDS22-01		2	2 WIRES IN XDS22-7
JMPR	22 AWG	WHITE	W01	XDS22-07		XDS23-01		3	2 WIRES IN XDS22-7
JMPR	22 AWG	WHITE	W01	XDS22-12	N63	XDS21-12		3	2 WIRES IN XDS22-12
JMPR	22 AWG	WHITE	W01	XDS22-12		XDS23-12		3	2 WIRES IN XDS22-12
1795	22 AWG	WHITE	W01	XDS22-17	N64	P12-08	N85	41	2 WIRES IN XDS22-17
1849	22 AWG	WHITE	W01	XDS22-25	N64	P13-06	N85	36	2 WIRES IN XDS22-17
JMPR	22 AWG	WHITE	W01	XDS23-01	N64	XDS22-07		3	2 WIRES IN XDS23-1
JMPR	22 AWG	WHITE	W01	XDS23-01		XDS23-07		2	2 WIRES IN XDS23-1

REV J

¹ see table 2-1 ² see table 2-2 ³ see table 2-3

WIRE NO	SIZE	COLOR	TYPE	FROM	TERM ² GEN. ³	TO	TERM ²	GEN. ³	LENGTH	REMARKS
JMPR	22	AWG	W01	XDS23-07	N64	XDS23-01			2	2 WIRES IN XDS23-7
JMPR	22	AWG	W01	XDS23-07		XDS24-01			3	2 WIRES IN XDS23-7
JMPR	22	AWG	W01	XDS23-12	N64	XDS22-12			3	2 WIRES IN XDS23-12
JMPR	22	AWG	W01	XDS23-12		XDS24-12			3	2 WIRES IN XDS23-12
1796	22	AWG	W01	XDS23-17	N63	P12-09		N85	41	
1850	22	AWG	W01	XDS23-25	N63	P13-07		N85	36	
JMPR	22	AWG	W01	XDS24-01	N64	XDS23-07			3	2 WIRES IN XDS24-1
JMPR	22	AWG	W01	XDS24-01		XDS24-07			2	2 WIRES IN XDS24-1
JMPR	22	AWG	W01	XDS24-07	N64	XDS24-01			3	2 WIRES IN XDS24-7
JMPR	22	AWG	W01	XDS24-07		XDS25-01			3	2 WIRES IN XDS24-7
JMPR	22	AWG	W01	XDS24-12	N64	XDS23-12			3	2 WIRES IN XDS24-12
JMPR	22	AWG	W01	XDS24-12		XDS25-12			3	2 WIRES IN XDS24-12
1797	22	AWG	W01	XDS24-17	N63	P12-10		N85	41	
1851	22	AWG	W01	XDS24-25	N63	P13-08		N85	36	
JMPR	22	AWG	W01	XDS25-01	N64	XDS24-07			3	2 WIRES IN XDS25-1
JMPR	22	AWG	W01	XDS25-01		XDS25-07			2	2 WIRES IN XDS25-1
JMPR	22	AWG	W01	XDS25-07	N64	XDS25-01			2	2 WIRES IN XDS25-7
JMPR	22	AWG	W01	XDS25-07		XDS26-01			4	2 WIRES IN XDS25-7
JMPR	22	AWG	W01	XDS25-12	N64	XDS24-12			3	2 WIRES IN XDS25-12
JMPR	22	AWG	W01	XDS25-12		S13B-C1		J	36	2 WIRES IN XDS25-12
1799	22	AWG	W01	XDS25-17	N63	P13-01		N85	36	
1800	22	AWG	W01	XDS25-25	N63	P13-09		N85	36	
1852	22	AWG	W01	XDS26-01	N64	XDS25-07			4	2 WIRES IN XDS26-1
JMPR	22	AWG	W01	XDS26-01		XDS27-1			4	2 WIRES IN XDS26-1
JMPR	22	AWG	W01	XDS26-08	N64	P9-10		N85	42	2 WIRES IN XDS26-8
JMPR	22	AWG	W01	XDS26-08		XDS19-07		N63	24	2 WIRES IN XDS26-8
1789	22	AWG	W01	XDS26-12	N63	XDS19-07			42	2 WIRES IN XDS19-7
1802	22	AWG	W01	XDS26-17	N63	P9-06		N85	48	2 WIRES IN XDS26-18
1803	22	AWG	W01	XDS26-18	N64	P9-03			30	2 WIRES IN XDS26-18
1804	22	AWG	W01	XDS26-18		S13A-01		J	41	
1853	22	AWG	W01	XDS26-25	N63	P12-02		N85	4	2 WIRES IN XDS27-1
JMPR	22	AWG	W01	XDS27-01	N64	XDS26-1			24	2 WIRES IN XDS27-1
1854	22	AWG	W01	XDS27-01		S13A-03		J	36	
1855	22	AWG	W01	XDS27-25	N63	P12-03		N85	72	2 WIRES IN XDS28-12
1805	22	AWG	W01	XDS28-12	N64	C67-02			48	2 WIRES IN XDS28-12
1806	22	AWG	W01	XDS28-12		C205-02		J	4	2 WIRES IN XDS26-8
JMPR	22	AWG	W01	XDS28-17	N63	XDS26-08			2	2 WIRES IN XDS29-18
JMPR	22	AWG	W01	XDS29-01	N63	XDS29-18		N63	2	
JMPR	22	AWG	W01	XDS29-06		XDS29-25		J	24	
1714	22	AWG	W01	XDS29-07	N63	C204-01			24	
1715	22	AWG	W01	XDS29-08	N63	C206-01		J	5	2 WIRES IN XDS29-16
JMPR	22	AWG	W01	XDS29-16	N64	XDS16-25		N63	2	2 WIRES IN XDS29-16
JMPR	22	AWG	W01	XDS29-16		XDS29-17			2	2 WIRES IN XDS29-17
JMPR	22	AWG	W01	XDS29-17	N64	XDS29-16			2	2 WIRES IN XDS29-17

REV J

¹ see table 2-1 ² see table 2-2 ³ see table 2-3

FIGURE 2-2. Control/Status Panel 1A1 (Sheet 24 of 25)

WIRE NO	SIZE	COLOR	¹		TERM ²	GEN. ³	TO	TERM ²	GEN. ³	LENGTH	REMARKS
			TYPE	FROM							
1716	22 AWG	WHITE	W01	XDS29-17			C205-01			24	2 WIRES IN XDS29-17
JMPR	22 AWG	WHITE	W01	XDS29-18	N64		XDS29-01		N63	2	2 WIRES IN XDS29-18
JMPR	22 AWG	WHITE	W01	XDS29-18			C196 GND		N4	5	
JMPR	22 AWG	WHITE	W01	XDS29-25	N63		XDS29-06		N63	2	

REV J

¹ see table 2-1 ² see table 2-2 ³ see table 2-3

WIRE NO	SIZE	COLOR	TYPE	FROM	TERM ² GEN. ³	TO	TERM ² GEN. ³	LENGTH	REMARKS
				CR1(+)	J	C3-1	J		COMPONENT LEAD
				CR1(+)	J	L1-1	J		COMPONENT LEAD
				L1-2	J	C4-1	J		COMPONENT LEAD
				CR1(-)	J	R1-1	J		COMPONENT LEAD
				CR1(-)	J	C2-1	J		COMPONENT LEAD
				CR1(-)	J	C1-2	J		COMPONENT LEAD
				C2-2	J	GND	J		COMPONENT LEAD
				R1-2	J	GND	J		COMPONENT LEAD
				C3-2	J	GND	J		COMPONENT LEAD
							08		

REVC

¹ see table 2-1 ² see table 2-2 ³ see table 2-3

FIGURE 2-3. Grid Detector 1A2, 1A3

WIRE NO	SIZE	COLOR	TYPE ¹	FROM	TERM ²	GEN. ³	TO	TERM ²	GEN. ³	LENGTH	REMARKS
				CR1(-)	J	J	C1-1		J		COMPONENT LEAD
				CR1(-)	J	J	C2-1		J		COMPONENT LEAD
				CR1(-)	J	J	R1-1		J		COMPONENT LEAD
				CR1(+)	J	J	C3-1		J		COMPONENT LEAD
				CR1(+)	J	J	L1-2		J		COMPONENT LEAD
				L1-1	J	J	C4-1		J		COMPONENT LEAD
				C2-2	J	J	GND		J		COMPONENT LEAD
				C3-2	J	J	GND		J		COMPONENT LEAD
				C4-2	J	J	GND		J		COMPONENT LEAD
								08			COMPONENT LEAD

REVC

¹ see table 2-1 ² see table 2-2 ³ see table 2-3

WIRE NO	SIZE	COLOR	TYPE ¹	FROM	TERM ² GEN. ³	TO	TERM ² GEN. ³	LENGTH	REMARKS
	20 AWG		W37	C1-1	J	CR1(-)	J		BUS, VIA INSULATED TERMINAL
				C2-1	J	CR1(+)	J		COMPONENT LEAD, VIA INSUL TERM
				C2-2	J	GND	J		COMPONENT LEAD
				C3-1	J	L1-1	J		COMPONENT LEAD
				C3-2		GND			CASE GROUND
				CR1(+)	J	L1-2	J		COMPONENT LEAD, VIA INSUL TERM
				R1-1	J	CR1(-)	J		COMPONENT LEAD, VIA INSUL TERM
				R1-2	J	GND	J		COMPONENT LEAD
				R2-1	J	R1-1	J		COMPONENT LEAD, VIA INSUL TERM
				R2-2	J	INSUL TERM	J		COMPONENT LEAD

REV D

¹ see table 2-1 ² see table 2-2 ³ see table 2-3

WIRE NO	SIZE	COLOR	TYPE	FROM	TERM ² GEN. ³	TO	TERM ² GEN. ³	LENGTH	REMARKS
16	AWG	--	W35	E4	30	R1-1	30	2	IN BUS
16	AWG	--	W35	E2	30	R1-2	30	3	IN BUS
16	AWG	--	W35	E1	30	R3-1		2	IN BUS
16	AWG	--	W35	E5	30	R3-2		2	IN BUS
14	AWG	--	W34	R1-2	38	CR2(+)	38	3	IN BUS
14	AWG	--	W34	R1-1	38	CR1(+)	38	3	IN BUS
14	AWG	--	W34	CR1(+)	38	CR2(-)	38	2	IN BUS
14	AWG	--	W34	CR1(-)	38	CR2(+)	38	2	IN BUS

REV D

¹ see table 2-1 ² see table 2-2 ³ see table 2-3

WIRE NO	SIZE	COLOR	TYPE	FROM	TERM ² GEN. ³	TO	TERM ² GEN. ³	LENGTH	REMARKS
16	AWG	--	W35	E2	30	R1-1	30	2	BUS
16	AWG	--	W35	E4	30	R1-2	30	2	BUS
16	AWG	--	W35	E1	30	R3-2	J	2	BUS
16	AWG	--	W35	E5	30	R3-1	J	2	BUS
12	AWG	WHITE	W10	CR1(+)	33	CR2(-)	J	2	JUMPER
12	AWG	WHITE	W10	CR1(-)	33	CR2(+)		2	JUMPER
12	AWG	WHITE	W10	R1-1	33	CR2(+)		2	JUMPER
12	AWG	WHITE	W10	R1-2	33	CR1(+)		3	JUMPER

REV D

¹ see table 2-1 ² see table 2-2 ³ see table 2-3

FIGURE 2-7. Driver Amplifier Monitoring Network 1A7

WIRE NO	SIZE	COLOR	TYPE ¹	FROM	TERM ²	GEN. ³	TO	TERM ²	GEN. ³	LENGTH	REMARKS
	22	AWG	WHITE	W01	TB1-1		TB1-4	08		3	JUMPER
	22	AWG	WHITE	W01	TB1-4		TB1-7	08		3	JUMPER
	22	AWG	WHITE	W01	TB1-7		TB1-10	08		3	JUMPER
	22	AWG	WHITE	W01	TB1-1		C2-1	08	J	4	JUMPER
	22	AWG	WHITE	W01	TB1-2		TB1-5	08		3	JUMPER
	22	AWG	WHITE	W01	TB1-5		TB1-8	08		3	JUMPER
	22	AWG	WHITE	W01	TB1-8		TB1-15	08		4	JUMPER
	22	AWG	WHITE	W01	TB1-15		CHASSIS GND	08	J	4	JUMPER
	22	AWG	WHITE	W01	TB1-3		TB1-6	08		3	JUMPER
	22	AWG	WHITE	W01	TB1-6		TB1-9	08		3	JUMPER
	22	AWG	WHITE	W01	TB1-3		C1-1	08	J	3	JUMPER
	22	AWG	WHITE	W01	TB1-11		C3-1	08	J	3	JUMPER
	22	AWG	WHITE	W01	TB1-12		C4-1	08	J	3	JUMPER
	22	AWG	WHITE	W01	TB1-13		C5-1	08	J	4	JUMPER
	22	AWG	WHITE	W01	TB1-14		C6-1	08	J	4	JUMPER
	22	AWG	WHITE	W01	TB1-16		C8-1	08	J	3	JUMPER
	22	AWG	WHITE	W01	C1-2		A1E1	08	J	3	JUMPER
	22	AWG	WHITE	W01	C2-2		A1E2	08	J	2	JUMPER
	22	AWG	WHITE	W01	C3-2		A1E3	08	J	2	JUMPER
	22	AWG	WHITE	W01	C4-2		A1E4	08	J	3	JUMPER
	22	AWG	WHITE	W01	C5-2		A1E5	08	J	3	JUMPER
	22	AWG	WHITE	W01	C6-2		A1E6	08	J	4	JUMPER
	22	AWG	WHITE	W01	GND AT C6		A1E7	08	J	4	JUMPER
	22	AWG	WHITE	W01	C8-2		A1E8(CR1-)	08	J	7	JUMPER
	22	AWG	WHITE	W01	TB1-10		TB1-17	08		5	JUMPER
	22	AWG	WHITE	W01	TB1-9		TB1-18	08		5	JUMPER

REV D

¹ see table 2-1 ² see table 2-2 ³ see table 2-3

FIGURE 2-8. RF Arc Sensor 1A8

WIRE NO	SIZE	COLOR	TYPE	FROM	TO	TERM ²	GEN. ³	TERM ²	GEN. ³	LENGTH	REMARKS
01	16 AWG	WHITE	W16	TB1-01	R1-	15			J	25 IN	SH GND
001	16 AWG	WHITE	W16	TB1-02	R1-	15			J	25 IN	SH GND
0001	16 AWG	WHITE	W16	TB1-03	R1-	15			J	25 IN	SH GND
02	18 AWG	WHITE	W03	TB1-04	S1-	01			J	25 IN	
27	16 AWG	WHITE	W04	TB1-05	GND	15			J	25 IN	
03	18 AWG	WHITE	W04	TB1-06	S1-	01			J	25 IN	
04	16 AWG	WHITE	W04	TB1-07	T1-	15			J	44 IN	
05	16 AWG	WHITE	W04	TB1-08	T1-	15			J	44 IN	
06	16 AWG	WHITE	W04	TB1-09	T1-	15			J	44 IN	
07	16 AWG	WHITE	W04	TB1-10	T1-	15			J	44 IN	
08	16 AWG	WHITE	W04	TB1-11	T1-	15			J	44 IN	
09	16 AWG	WHITE	W04	TB1-12	T1-	15			J	44 IN	
10	16 AWG	WHITE	W04	TB1-14	T2-	15			J	37 IN	
11	16 AWG	WHITE	W04	TB1-15	T2-B	15			J	37 IN	
12	16 AWG	WHITE	W04	TB1-16	T2-	15			J	37 IN	
13	16 AWG	WHITE	W04	TB1-17	T2-	15			J	37 IN	
14	16 AWG	WHITE	W04	TB1-18	T2-	15			J	37 IN	
15	16 AWG	WHITE	W04	TB1-19	T2-	15			J	37 IN	
	18 AWG	WHITE	W03	E1	R2-		J	08		5 IN	JUMPER
	18 AWG	WHITE	W03	E2	R2-		J	08		8 IN	JUMPER
	18 AWG	WHITE	W03	E3	R2-		J	08		5 IN	JUMPER
	18 AWG	WHITE	W03	E4	R3-		J	08		5 IN	JUMPER
	18 AWG	WHITE	W03	E5	R3-		J	08		8 IN	JUMPER
	18 AWG	WHITE	W03	E6	R3-		J	08		5 IN	JUMPER
	18 AWG	WHITE	W03	E7	R4-		J	08		5 IN	JUMPER
	18 AWG	WHITE	W03	E8	R4-		J	08		8 IN	JUMPER
	18 AWG	WHITE	W03	E9	R4-		J	08		5 IN	JUMPER
	18 AWG	WHITE	W03	T1-A2	T1-		J	08		5 IN	JUMPER
	18 AWG	WHITE	W03	T1-B2	T1-		J	08		5 IN	JUMPER
	18 AWG	WHITE	W03	T2-A2	T2-		J	08		5 IN	JUMPER
	18 AWG	WHITE	W03	T2-B2	T2-		J	08		5 IN	JUMPER

REV

¹ see table 2-1 ² see table 2-2 ³ see table 2-3

FIGURE 2-9. Bias Adjust Panel 1A9

WIRE NO	SIZE	COLOR	TYPE ¹	FROM	TERM ² GEN. ³	TO	TERM ² GEN. ³	LENGTH	REMARKS
				C1-2	J	C2-1	J		COMPONENT LEAD
				C2-1	J	R1-1	J		COMPONENT LEAD
				C2-2	J	R1-2	J		COMPONENT LEAD
				R1-2	J	GND (LUG)	J		COMPONENT LEAD

REVC

¹ see table 2-1 ² see table 2-2 ³ see table 2-3

FIGURE 2-10. IPA RF Sample Pickup 1A10

WIRE NO	SIZE	COLOR	TYPE ¹	FROM	TERM ²	GEN. ³	TO	TERM ²	GEN. ³	LENGTH	REMARKS
				R1-2		N16	GND (LUG)				COMPONENT LEAD
				R1-1		N17	C2-1				COMPONENT LEAD

REV D

¹ see table 2-1 ² see table 2-2 ³ see table 2-3

WIRE NO	SIZE	COLOR	TYPE ¹	FROM	TERM ² GEN. ³	TO	TERM ² GEN. ³	LENGTH	REMARKS
16	AWG	---	W35	E2	30	R1-1	30	2	IN BUS
16	AWG	---	W35	E4	30	R1-2	30	2	IN BUS
16	AWG	---	W35	E1	30	R3-2	J	2	IN BUS
16	AWG	---	W35	E5	30	R3-1	J	2	IN BUS
12	AWG	WHITE	W10	CR1(+)	33	CR2(-)	J	2	IN JUMPER
12	AWG	WHITE	W10	CR1(-)	33	CR2(+)		2	IN JUMPER
12	AWG	WHITE	W10	CR1(+)	33	R1-2		2	IN JUMPER
12	AWG	WHITE	W10	CR2(+)	33	R1-1		1	IN JUMPER

REV D

¹ see table 2-1 ² see table 2-2 ³ see table 2-3

WIRE NO	SIZE	COLOR	TYPE ¹	FROM	TERM ²	GEN. ³	TO	TERM ²	GEN. ³	LENGTH	REMARKS
800	22 AWG	WHITE	W19	TB1-01	08	J	S2C-C1		J, B	36 FT	
		SHIELD		GND			OPEN				
801	22 AWG	WHITE	W19	TB1-02	08		E18		J, B	54 FT	
		SHIELD		OPEN			GND		J, B		
802	22 AWG	WHITE	W19	TB1-04	08		E15		J, B	50 FT	
		SHIELD		OPEN			GND		J, B		
803	22 AWG	WHITE	W19	TB1-05	08	J	S2C-C2		J, B	36 FT	
		SHIELD		GND			OPEN				
804	22 AWG	WHITE	W19	TB1-06	08	J	S2C-C3		J, B	36 FT	
		SHIELD		GND			OPEN				
805	22 AWG	WHITE	W08	TB1-07	08		E14		J, B	48 FT	
		SHIELD		OPEN			GND		J		
806	22 AWG	WHITE	W19	TB1-09	08	J	S2B-C1		J, B	36 FT	
		SHIELD		GND			OPEN				
807	22 AWG	WHITE	W19	TB1-10	08		E12		J, B	70 FT	
		SHIELD		OPEN			GND		J		
808	22 AWG	WHITE	W08	TB1-11	08		E9		J, B	62 FT	
		SHIELD		OPEN			GND		J		
809	22 AWG	WHITE	W19	TB1-12	08		S2B-C2		J, B	36 FT	
		SHIELD		GND			OPEN				
810	22 AWG	WHITE	W31	TB1-14	08	J	S1-2 (NC)		J	42 FT	
		BLACK		TB1-15	08		S1-5 (NC)		J		
		SHIELD		GND			OPEN				
811	22 AWG	WHITE	W31	TB1-16	08	J	S1-4 (NO)		J	42 FT	
		BLACK		TB1-17	08		S1-1 (NO)		J		
		SHIELD		GND			OPEN				
812	22 AWG	WHITE	W19	TB1-19	08	J	S2B-C3		J, B	24 FT	
		SHIELD		GND			OPEN				
813	22 AWG	WHITE	W19	TB1-20	08		E8		J, B	40 FT	
		SHIELD		OPEN			GND		J		
814	22 AWG	WHITE	W19	TB2-03	08	J	E5		J, B	42 FT	
		SHIELD		OPEN			GND		J		
815	22 AWG	WHITE	W19	TB2-04	08	J	S2A-C1		Y, B	40 FT	
		SHIELD		GND			OPEN				
816	22 AWG	WHITE	W19	TB2-06	08	J	S2A-C2		Y, B	40 FT	
		SHIELD		GND			OPEN				
817	22 AWG	WHITE	W19	TB2-07	08	J	E04		J, B	42 FT	
		SHIELD		OPEN			GND		J		
				C1(-)			E02		J		COMPONENT LEAD
				C1(+)			E01		J		COMPONENT LEAD
				C2(-)			E04		J		COMPONENT LEAD
				C2(+)			E03		J		COMPONENT LEAD
				C3(-)			E06		J		COMPONENT LEAD
				C3(+)			E05		J		COMPONENT LEAD

FIGURE 2-13. Metering Assembly Panel (Sheet 1 of 4)

REV E

¹ see table 2-1 ² see table 2-2 ³ see table 2-3

FLOR	TYPE	FROM	TERM ² GEN. ³	TO	TERM ² GEN. ³	LENGTH	REMARKS
		C4(-)		E08	J		COMPONENT LEAD
		C4(+)		E07	J		COMPONENT LEAD
		C5(-)		E10	J		COMPONENT LEAD
		C5(+)		E09	J		COMPONENT LEAD
		C6(-)		E12	J		COMPONENT LEAD
		C6(+)		E11	J		COMPONENT LEAD
		C7(-)		E14	J		COMPONENT LEAD
		C7(+)		E13	J		COMPONENT LEAD
		C8(-)		E16	J		COMPONENT LEAD
		C8(+)		E15	J		COMPONENT LEAD
		C9(-)		E18	J		COMPONENT LEAD
		C9(+)		E17	J		COMPONENT LEAD
	W19	E1		S1-C2-6	J,B	24 FT	
	HIELD	GND		OPEN			
	W19	E2		S2A-6	J,B	48 FT	
	HIELD	GND		OPEN			
	W19	E3		S2A-4	J,B	42 FT	
	HIELD	GND		OPEN			
	W19	E4		TB2-07	B	42 FT	
	HIELD	GND		OPEN			
	W19	E5		TB2-03	B	42 FT	
	HIELD	GND		OPEN			
	W19	E6		S2A-2	J,B	42 FT	
	HIELD	GND		OPEN			
	W19	E7		S2B-6	J,B	42 FT	
	HIELD	GND		OPEN			
	W19	E8		TB1-20	B	40 FT	
	HIELD	GND		OPEN			
	W19	E9		TB1-11	B	62 FT	
	HIELD	GND		OPEN			
	W19	E10		S2B-4	J,B	36 FT	
	HIELD	GND		OPEN			
	W19	E11		S2B-2	J,B	30 FT	
	HIELD	GND		OPEN			
	W19	E12		TB1-10	B	36 FT	
	HIELD	GND		OPEN			
	W19	E13		S2C-6	J,B	48 FT	
	HIELD	GND		OPEN			
	W19	E14		TB1-07	B	48 FT	
	HIELD	GND		OPEN			
	W19	E15		TB1-04	B	50 FT	
	HIELD	GND		OPEN			
	W19	E16		S2C-4	J,B	40 FT	
	HIELD	GND		OPEN			

see table 2-2

REV E

FIGURE 2-13. Metering Assembly Panel (Sheet 2 of 4)

LOR	E ¹	FROM	TERM ²	GEN. ³	TO	TERM ²	GEN. ³	LENGTH	REMARKS
ITE		E17		J	S2C-2		J,B	36 FT	
IELD		GND		J	OPEN				
ITE		E18		J	TB1-02	08	B	54 FT	
IELD		GND		J	OPEN				
ITE		M1(-)	04		E2		J	6 IN	JUMPER
ITE		M1(+)	04		E1		J	6 IN	JUMPER
ITE		M2(+)	04		E3		J	6 IN	JUMPER
ITE		M2(-)	04		E4		J	6 IN	JUMPER
ITE		M3(+)	04		E5		J	6 IN	JUMPER
ITE		M3(-)	04		E6		J	6 IN	JUMPER
ITE		M4(+)	04		E7		J	6 IN	JUMPER
ITE		M4(-)	04		E8		J	6 IN	JUMPER
ITE		M5(+)	04		E9		J	6 IN	JUMPER
ITE		M5(-)	04		E10		J	6 IN	JUMPER
ITE		M6(+)	04		E11		J	6 IN	JUMPER
ITE		M6(-)	04		E12		J	6 IN	JUMPER
ITE		M7(+)	04		E13		J	6 IN	JUMPER
ITE		M7(-)	04		E14		J	6 IN	JUMPER
ITE		M8(+)	04		E15		J	6 IN	JUMPER
ITE		M8(-)	04		E16		J	6 IN	JUMPER
ITE		M9(-)	04		E18		J	6 IN	JUMPER
ITE		M9(+)	04		E17		J	6 IN	JUMPER
ITE		S1-2 (NC)		J	TB1-14	08		42 FT	
ACK		S1-5 (NC)		J	TB1-15	08			
IELD		OPEN			GND		J	42 FT	
ACK		S1-1 (NO)		J	TB1-17	08			
ITE		S1-4 (NO)		J	TB1-16	08			
IELD		OPEN			GND		J	48 FT	
ITE		S1-C1 (3)		J	S2A-C3		J,B		
IELD		GND		J	OPEN			24 FT	
ITE		S1-C2 (6)		J	E1		J	40 FT	
IELD		OPEN			GND	08	B		
ITE		S2A-C1		J	TB2-04		Y	42 FT	
IELD		OPEN			GND				
ITE		S2A-3		J	E6		J,B	40 FT	
IELD		OPEN			GND	08	B		
ITE		S2A-C2		J	TB2-06		J	42 FT	
IELD		OPEN			GND				
ITE		S2A-4		J	E3		J	42 FT	
IELD		OPEN			GND		J	48 FT	
ITE		S2A-C3		J	S1-C1-COM		J,B		
IELD		OPEN			GND		J	48 FT	
ITE		S2A-6		J	E2		J,B	48 FT	
IELD		OPEN			GND		J	48 FT	

REVE

³ see table 2-3

table 2-

FIGURE 2-13. Metering Assembly Panel (Sheet 3 of 4)

WIRE NO	SIZE	COLOR	TYPE ¹	FROM	TERM ²	GEN. ³	TO	TERM ²	GEN. ³	LENGTH	REMARKS
806	22 AWG	WHITE	W19	S2B-C1		J	TB1-09	08	B	36 FT	
		SHIELD		OPEN			GND				
824	22 AWG	WHITE	W19	S2B-2		J	E11		J,B	30 FT	
		SHIELD		OPEN			GND				
809	22 AWG	WHITE	W19	S2B-C2		J	TB1-12	08	B	36 FT	
		SHIELD		OPEN			GND				
823	22 AWG	WHITE	W19	S2B-4		J	E10		J,B	36 FT	
		SHIELD		OPEN			GND				
812	22 AWG	WHITE	W19	S2B-C3		J	TB1-19	08	B	24 FT	
		SHIELD		OPEN			GND				
822	22 AWG	WHITE	W19	S2B-6		J	E7		J,B	42 FT	
		SHIELD		OPEN			GND				
800	22 AWG	WHITE	W19	S2C-C1		J	TB1-01	08	B	36 FT	
		SHIELD		OPEN			GND				
827	22 AWG	WHITE	W19	S2C-2		J	E17		J,B	36 FT	
		SHIELD		OPEN			GND				
803	22 AWG	WHITE	W19	S2C-C2		J	TB1-05	08	B	36 FT	
		SHIELD		OPEN			GND				
826	22 AWG	WHITE	W19	S2C-4			E16		J,B	40 FT	
		SHIELD		OPEN			GND				
804	22 AWG	WHITE	W19	S2C-C3		J	TB1-06	08	B	36 FT	
		SHIELD		OPEN			GND				
825	22 AWG	WHITE	W19	S2C-6		J	E13		J,B	48 FT	
		SHIELD		OPEN			GND				

REVE

¹ see table 2-1 ² see table 2-2 ³ see table 2-3

WIRE NO	SIZE	COLOR	TYPE	FROM	TERM 2	GEN. 3	TO	TERM 2	GEN. 3	LENGTH	REMARKS
600	18	WG	W03	TB1-3	08		CB5-C	14		36	IN
601	18	WG	W03	TB1-4	08		CB7-NO	19		28	IN
602	18	WG	W03	TB1-7	08		CB1-C	37		28	IN
603	18	WG	W03	TB1-5	08		CB7-NC	19		28	IN
604	18	WG	W03	TB1-6	08		CB4-NO	06		36	IN
605	18	WG	W03	TB1-9	08		M1-1	06		36	IN
606	18	WG	W03	TB1-10	08		M1-2	06		36	IN
604	18	WG	W03	CB2-NO		J	CB3-C	06		36	IN
608	18	WG	W03	CB1-NC		J	CB2-NC	06		44	IN
609	18	WG	W03	CB2-NC		J	CB3-NC	06		30	IN
610	18	WG	W03	CB3-NC		J	CB4-NC	06		30	IN
611	18	WG	W03	CB4-NC		J	CB5-NC	14		42	IN
612	18	WG	W03	CB5-NC		J	CB6-NC	19		30	IN
613	18	WG	W03	CB6-NC		J	CB7-NC	19		30	IN
614	18	WG	W03	CB3-NO		J	CB4-C	06		30	IN
615	18	WG	W03	CB6-NO		J	CB7-C	19		30	IN
616	18	WG	W03	CB6-C		J	CB6-NO	19		30	IN
618	18	WG	W03	CB1-NO		J	CB2-C	06		48	IN
CR1	18	WG	W03	TB1-4(-)			TB1-7(+)	08			COMPONENT LEADS
	18	WG	W03	TB1-9	08		TB1-11	08		9	IN
	8	WG	W13	CB7-1	35		CB6-1	35	B	9	IN
	8	WG	W13	CB6-1	35		CB5-1	35	B	9	IN
	8	WG	W13	CB5-1	35		CB2-1	35	B	8	IN
	8	WG	W13	CB2-1	35		CB3-1	35	B	9	IN
	8	WG	W13	CB3-1	35		CB4-1	35	B	9	IN
	8	WG	W13	CB7-3	35		CB6-3	35	B	9	IN
	8	WG	W13	CB6-3	35		CB5-3	35	B	9	IN
	8	WG	W13	CB5-3	35		CB2-3	35	B	8	IN
	8	WG	W13	CB2-3	35		CB3-3	35	B	9	IN
	8	WG	W13	CB3-3	35		CB4-3	35	B	9	IN
	8	WG	W13	CB7-5	35		CB6-5	35	B	9	IN
	8	WG	W13	CB6-5	35		CB5-5	35	B	9	IN
	8	WG	W13	CB5-5	35		CB2-5	35	B	8	IN
	8	WG	W13	CB2-5	35		CB3-5	35	B	9	IN
	8	WG	W13	CB3-5	35		CB4-5	35	B	9	IN

REV D

1 see table 2-1 2 see table 2-2 3 see table 2-3

FIGURE 2-14. Electronic System Protection Panel 1A23

TYPE	FROM	TERM	GEN.	TO	TERM	GEN.	LENGTH	REMARKS
1		2	3		2	3		
04	TB1-01	15		K2-02	12		2	FT
04	TB1-02	15		K2-04	12		2	FT
04	TB1-03	15		K2-06	12		2	FT
53	TB1-04	20		K2-08	16		2	FT
53	TB1-05	20		K2-10	16		2	FT
53	TB1-06	20		K2-12	16		2	FT
03	TB1-07	08		K3-02	05		3	FT
03	TB1-08	08		K3-04	05		3	FT
03	TB1-09	08		K3-06	05		3	FT
03	TB1-10	08		K3-08	05		3	FT
03	TB1-11	08		K3-10	05		3	FT
03	TB1-12	08		K3-12	05		3	FT
03	TB1-13	08		K4-02	05		2	FT
03	TB1-14	08		K4-04	05		2	FT
03	TB1-15	08		K4-06	05		2	FT
53	TB1-16	20		K5-02	16		3	FT
53	TB1-17	20		K5-04	16		3	FT
53	TB1-18	20		K5-06	16		3	FT
04	TB2-01	15		K2-01	13		3	FT
04	TB2-02	15		K2-03	13		3	FT
04	TB2-03	15		K2-05	13		3	FT
53	TB2-04	08		K2-07	16		3	FT
53	TB2-05	08		K2-09	16		3	FT
53	TB2-06	08		K2-11	16		3	FT
03	TB2-07	08		K3-01	05		4	FT
03	TB2-08	08		K3-03	05		4	FT
03	TB2-09	08		K3-05	05		4	FT
03	TB2-10	08		K3-07	05		4	FT
03	TB2-11	08		K3-09	05		4	FT
03	TB2-12	08		K3-11	05		4	FT
03	TB2-13	08		K4-01	05		3	FT
03	TB2-14	08		K4-03	05		3	FT
03	TB2-15	08		K4-05	05		3	FT
53	TB2-16	20		K5-01	16		2	FT
53	TB2-17	20		K5-03	16		2	FT
53	TB2-18	20		K5-05	16		2	FT
03	TB3-01	08		K1-X2	08		2	FT
03	TB3-02	08		K6-X2	08		3	FT
03	TB3-04	08		K7-L2	08		3	FT
03	TB3-05	08		K6-X1	08		2	FT
03	TB3-06	08		K8-X1	08		3	FT
03	TB3-07	08		K4-B	08		3	FT
03	TB3-09	08		K1-X1	08		2	FT
03	TB3-10	08		K7-L1	08		3	FT

REV H

3 see table 2-3

FIGURE 2-15. Relay Assembly 1A24 (Sheet 1 of 3)

WIRE NO	SIZE	COLOR	TYPE ¹	FROM	TERM ² GEN. ³	TO	TERM ² GEN. ³	LENGTH	REMARKS
	18 AWG	WHITE	W03	E3	J	K2-X1	08	5	IN JUMPER
	18 AWG	WHITE	W03	E4	J	K2-X2	08	6	IN JUMPER
	18 AWG	WHITE	W03	E5	J	K3-X1	05	5	IN JUMPER
	18 AWG	WHITE	W03	E6	J	K3-X2	05	6	IN JUMPER
	18 AWG	WHITE	W03	E7	J	K4-X1	08	6	IN JUMPER
	18 AWG	WHITE	W03	E8	J	K4-X2	08	6	IN JUMPER
	18 AWG	WHITE	W03	E9	J	K5-X1	08	5	IN JUMPER
	18 AWG	WHITE	W03	E10	J	K5-X2	08	6	IN JUMPER
	18 AWG	WHITE	W03	E11	J	K6-X1	08	6	IN JUMPER
	18 AWG	WHITE	W03	E12	J	K6-X2	08	6	IN JUMPER
	18 AWG	WHITE	W03	E13	J	K7-L1	08	9	IN JUMPER
	18 AWG	WHITE	W03	E14	J	K7-L2	08	9	IN JUMPER
	18 AWG	WHITE	W03	E15	J	K8-X1	08	6	IN JUMPER
	18 AWG	WHITE	W03	E16	J	K8-X2	08	6	IN JUMPER

REV H

¹ see table 2-1 ² see table 2-2 ³ see table 2-3

FIGURE 2-15. Relay Assembly 1A24 (Sheet 3 of 3)

WIRE NO	SIZE	COLOR	TYPE ¹	FROM	TERM ² GEN. ³	TO	TERM ² GEN. ³	LENGTH	REMARKS
W1	RG223		W44	W01-J1		1A1AT8-P1			150628-1
W2	RG223		W44	W02-J1		1A1AT7-P1			150628-2
W3	RG223		W44	W03-J1		1DC2-B-P1			150629-1
W4	RG223		W44	W04-J1		1DC1-3-P1			150628-3
W5	RG223		W44	W05-J1		1K5-N0	J		150629-2
				CRI(+)CATHODE		K1-X2	J		COMPONENT LEAD
				CRI(-)ANODE		K1-X1	J		COMPONENT LEAD
				J4		S1-COM		57	JUMPER
	RG223		W44	K1-A1	07	K1-X1	07	4	JUMPER
	22 AWG	WHITE	W01	K1-A2	07	S3-C1	J	9	JUMPER
	22 AWG	WHITE	W01	S3-C1		S3-C2	J	9	JUMPER
	22 AWG	WHITE	W01						

REV C

¹ see table 2-1 ² see table 2-2 ³ see table 2-3

FIGURE 2-16. Signal Monitor Panel 1A25

WIRE NO	SIZE	COLOR	TYPE	FROM	TERM ²	GEN. ³	TO	TERM ²	GEN. ³	LENGTH	REMARKS
	22	AWG	WHITE	J1-1		K	C5-1		J	3	BUS, INSULATED
	22	AWG	WHITE	J1-9		K	C5-1		J	3	BUS, INSULATED
	22	AWG	WHITE	J1-6		K	C5-2 GND		J	3	BUS, INSULATED
	22	AWG	WHITE	K1-1		J	CR1(+)		J	3	BUS, INSULATED
	22	AWG	WHITE	K1-2		J	CR1(-)		J	3	BUS, INSULATED
	22	AWG	WHITE	K1-1		J	C5-1		J	3	BUS, INSULATED
	22	AWG	WHITE	K1-2		J	C5-2 GND		J	3	BUS, INSULATED

REV D

¹ see table 2-1 ² see table 2-2 ³ see table 2-3

FIGURE 2-17. IPA Grid Bandpass Filter 1FL1

WIRE NO	SIZE	COLOR	TYPE ¹	FROM	TERM ² GEN.	TO	TERM ² GEN.	LENGTH	REMARKS
	22 AWG	WHITE	W48	J1-1	K	C5-1	J	3	BUS, INSULATED
	22 AWG	WHITE	W48	J1-9	K	C5-1	J	3	BUS, INSULATED
	22 AWG	WHITE	W48	J1-6	K	C5-2 GND	J	3	BUS, INSULATED
	22 AWG	WHITE	W48	K1-1	J	CR1(+)	J	3	BUS, INSULATED
	22 AWG	WHITE	W48	K1-2	J	CR1(-)	J	3	BUS, INSULATED
	22 AWG	WHITE	W48	K1-1	J	C5-1	J	3	BUS, INSULATED
	22 AWG	WHITE	W48	K1-2	J	C5-2 GND	J	3	BUS, INSULATED

REV D

¹ see table 2-1 ² see table 2-2 ³ see table 2-3

WIRE NO	SIZE	COLOR	TYPE	FROM	TERM ² GEN. ³	TO	TERM ² GEN. ³	LENGTH	REMARKS
	22 AWG	WHITE	W48	J1-1	K	C5-1	J	3 IN	BUS, INSULATED
	22 AWG	WHITE	W48	J1-9	K	C5-1	J	3 IN	BUS, INSULATED
	22 AWG	WHITE	W48	J1-6	K	C5-2 GND	J	3 IN	BUS, INSULATED
	22 AWG	WHITE	W48	K1-1	J	CR1(+)	J	3 IN	BUS, INSULATED
	22 AWG	WHITE	W48	K1-2	J	CR1(-)	J	3 IN	BUS, INSULATED
	22 AWG	WHITE	W48	K1-1	J	C5-1	J	3 IN	BUS, INSULATED
	22 AWG	WHITE	W48	K1-2	J	C5-GND	J	3 IN	BUS, INSULATED

REV D

¹ see table 2-1 ² see table 2-2 ³ see table 2-3

FIGURE 2-19. IPA Grid Bandpass Filter 1FL3

WIRE NO	SIZE	COLOR	TYPE	FROM	TERM ²	GEN. ³	TO	TERM ²	GEN. ³	LENGTH	REMARKS
	22	AWG	W48	K1-1	J	J	K2-1		J	3	BUS, INSULATED
	22	AWG	W48	K1-1	J	J	CR1(+)		J	3	BUS, INSULATED
	22	AWG	W48	K2-1	J	J	C2-1		J	3	BUS, INSULATED
	22	AWG	W48	J1-1	K	K	CR1(+)		J	3	BUS, INSULATED
	22	AWG	W48	J1-9	K	K	C2-1		J	3	BUS, INSULATED
	22	AWG	W48	K1-2	J	J	GND		J	3	BUS, INSULATED
	22	AWG	W48	K2-2	J	J	GND		J	3	BUS, INSULATED
	22	AWG	W48	J1-6	K	K	GND		J	3	BUS, INSULATED
	CR1			CR1(-)	J	J	GND		J		COMPONENT LEAD
	C2			C2-2	J	J	GND		J		COMPONENT LEAD
	22	AWG	W48	K3-1	J	J	K4-1		J	3	BUS, INSULATED
	22	AWG	W48	K3-1	J	J	CR2(+)		J	3	BUS, INSULATED
	22	AWG	W48	K4-1	J	J	C4-1		J	3	BUS, INSULATED
	22	AWG	W48	J2-1	K	K	CR2(+)		J	3	BUS, INSULATED
	22	AWG	W48	J2-9	K	K	C4-1		J	3	BUS, INSULATED
	22	AWG	W48	K3-2	J	J	GND		J	3	BUS, INSULATED
	22	AWG	W48	K4-2	J	J	GND		J	3	BUS, INSULATED
	22	AWG	W48	J2-6	K	K	GND		J	3	BUS, INSULATED
	CR2			CR2(-)	J	J	GND		J		COMPONENT LEAD
	C4			C4-2	J	J	GND		J		COMPONENT LEAD

REV D

¹ see table 2-1 ² see table 2-2 ³ see table 2-3

FIGURE 2-21. Driver Grid Bandpass Filter 1FL5

WIRE NO	SIZE	COLOR	TYPE ¹	FROM	TERM ²	GEN. ³	TO	TERM ²	GEN. ³	LENGTH	REMARKS
24	AWG	WHITE	W49	J1-1	K	J	C4-1	J	J	3	BUS, INSULATED
24	AWG	WHITE	W49	J1-9	K	J	C4-1	J	J	3	BUS, INSULATED
24	AWG	WHITE	W49	J1-6	K	J	C4-2	J	J	3	BUS, INSULATED
24	AWG	WHITE	W49	C4-1	J	J	N50	J	J	3	BUS, INSULATED
				CR2(-)	J	J	E50	J	J		COMPONENT LEAD
				CR2(+)	J	J	GND	J	J		COMPONENT LEAD
				C4-2	J	J	GND	J	J		COMPONENT LEAD
24	AWG	WHITE	W49	K2-1	J	J	N50	J	J	3	CASE GROUND
24	AWG	WHITE	W49	K2-2	J	J	N50	J	J	3	BUS, INSULATED
24	AWG	WHITE	W49	N50	J	J	GND	J	J	30	BUS, INSULATED
24	AWG	WHITE	W49	GND	J	J	N50	J	J	30	BUS, INSULATED - THRU 150392-1
				CR1(-)	J	J	GND	J	J		BUS, INSULATED - THRU 150392-1
				CR1(+)	J	J	N50	J	J		COMPONENT LEAD
24	AWG	WHITE	W49	K1-1	J	J	GND	J	J	3	COMPONENT LEAD
24	AWG	WHITE	W49	K1-2	J	J	N50	J	J	3	BUS, INSULATED
					J	J	GND	J	J		BUS, INSULATED

REV F

¹ see table 2-1 ² see table 2-2 ³ see table 2-3

WIRE NO	SIZE	COLOR	TYPE	FROM	TERM ² GEN. ³	TO	TERM ² GEN. ³	LENGTH	REMARKS
			BAND E						
	24 AWG		W49	J1-1	K	C2-1	J	3	BUS, INSULATED
	24 AWG		W49	J1-9	K	C2-1	J	3	BUS, INSULATED
	24 AWG		W49	J1-6	K	GND	J	3	BUS, INSULATED
	24 AWG		W49	C2-1	J	N69	J	3	BUS, INSULATED
				C2-2	J	GND	J		CASE GROUND
				CR2(-)	J	N69	J		COMPONENT LEAD
				CR2(+)	J	GND	J		COMPONENT LEAD
	24 AWG		W49	K2-1	J	N69	J	3	BUS, INSULATED
	24 AWG		W49	K2-2	J	GND	J	3	BUS, INSULATED
	24 AWG		W49	N69	J	N69	J	30	BUS, INSULATED-THRU 150244-1
	24 AWG		W49	GND	J	GND	J	30	BUS, INSULATED-THRU 150244-1
	24 AWG		W49	K1-1	J	N69	J	3	BUS, INSULATED
	24 AWG		W49	K1-2	J	GND	J	3	BUS, INSULATED
				CR1(-)	J	N69	J		COMPONENT LEAD
				CR1(+)	J	GND	J		COMPONENT LEAD
			BAND CD						
	24 AWG		W49	J2-1	K	C4-1	J	3	BUS, INSULATED
	24 AWG		W49	J2-9	K	C4-1	J	3	BUS, INSULATED
	24 AWG		W49	J2-6	K	GND	J	3	BUS, INSULATED
	24 AWG		W49	C4-1	J	N69	J	3	BUS, INSULATED
				C4-2	J	GND	J		CASE GROUND
				CR4(-)	J	N69	J		COMPONENT LEAD
				CR4(+)	J	GND	J		COMPONENT LEAD
	24 AWG		W49	K4-1	J	N69	J	3	BUS, INSULATED
	24 AWG		W49	K4-2	J	GND	J	3	BUS, INSULATED
	24 AWG		W49	N69	J	N69	J	30	BUS, INSULATED-THRU 150244-1
	24 AWG		W49	GND	J	GND	J	30	BUS, INSULATED-THRU 150244-1
	24 AWG		W49	K3-1	J	N69	J	3	BUS, INSULATED
	24 AWG		W49	K3-2	J	GND	J	3	BUS, INSULATED
				CR3(-)	J	N69	J		COMPONENT LEAD
				CR3(+)	J	GND	J		COMPONENT LEAD

REV E

¹ see table 2-1 ² see table 2-2 ³ see table 2-3

FIGURE 2-23. PA Grid Bandpass Filter 1 FL8

WIRE NO	SIZE	COLOR	TYPE ¹	FROM	TERM ² GEN. ³	TO	TERM ²	GEN. ³	LENGTH	REMARKS
	24 AWG		W49	J1-1	K	C2-1	J	3	IN	BUS, INSULATED
	24 AWG		W49	J1-9	K	C2-1	J	3	IN	BUS, INSULATED
	24 AWG		W49	J1-6	K	GND	J	3	IN	BUS, INSULATED
	24 AWG		W49	C2-1	J	N49	J	3	IN	BUS, INSULATED
				C2-2		GND				CASE GROUND
				CR2(-)		N49	J			COMPONENT LEAD
				CR2(+)		GND	J			COMPONENT LEAD
	24 AWG		W49	K2-1	J	N49	J	3	IN	BUS, INSULATED
	24 AWG		W49	K2-2	J	GND	J	3	IN	BUS, INSULATED
	24 AWG		W49	N49	J	N49	J	30	IN	BUS, INSULATED--THRU 150593-1
	24 AWG		W49	GND	J	GND	J	30	IN	BUS, INSULATED--THRU 150593-1
	24 AWG		W49	K1-1	J	N49	J	3	IN	BUS, INSULATED
	24 AWG		W49	K1-2	J	GND	J	3	IN	BUS, INSULATED
				CR1(-)		N49	J			COMPONENT LEAD
				CR1(+)		GND	J			COMPONENT LEAD

REVE

¹ see table 2-1 ² see table 2-2 ³ see table 2-3

WIRE NO	SIZE	COLOR	TYPE	FROM	TERM ²	GEN. ³	TO	TERM ²	GEN. ³	LENGTH	REMARKS
300	16 AWG	WHITE	W04	TB1-01	14		T1-4	14		36	IN
301	16 AWG	WHITE	W04	TB1-02	14		T1-5	14		36	IN
302	16 AWG	WHITE	W04	TB1-03	14		T1-6		J	36	IN
303	16 AWG	WHITE	W04	TB1-04	14		E10		J	18	IN
304	16 AWG	WHITE	W04	TB1-05	14		E9		J	18	IN
305	16 AWG	WHITE	W04	TB1-06	14		E12		J	24	IN
306	16 AWG	WHITE	W04	TB1-07	14		R11-2		J	18	IN
307	16 AWG	WHITE	W04	T1-10	14		CR1-AC (+)		J	36	IN
308	16 AWG	WHITE	W04	T1-11	14		CR2-AC (+)		J	36	IN
309	16 AWG	WHITE	W04	T1-12	14		CR3-AC (+)		J	36	IN
310	16 AWG	WHITE	W04	L1-1	14	J	CR3(-)		J	24	IN
311	16 AWG	WHITE	W04	E8	14		R8-2		J	24	IN
312	16 AWG	WHITE	W04	E8	14		R10-1		J	24	IN
313	16 AWG	WHITE	W04	R10-1	14	J	CR4(+)		J	18	IN
314	16 AWG	WHITE	W04	CR6(+)	14	J	C3(+)	13	J	24	IN
315	16 AWG	WHITE	W04	E1	14		R14-2		J	18	IN
316	16 AWG	WHITE	W04	R14-2	14	J	R7-2		J	24	IN
317	16 AWG	WHITE	W04	R7-2	14	J	K2-COM		J	18	IN
318	16 AWG	WHITE	W04	E6	14		K2-NO		J	24	IN
319	16 AWG	WHITE	W04	E3	14		K1-NO		J	24	IN
320	16 AWG	WHITE	W04	E4	14		R10-2		J	24	IN
322	16 AWG	WHITE	W04	E5	14		R15-2		J	24	IN
323	16 AWG	WHITE	W04	E2	14		R9-2		J	18	IN
324	16 AWG	WHITE	W04	L1-2	14	J	L2-1		J	12	IN
325	16 AWG	WHITE	W04	L2-1	14	J	C1(-)	13	J	18	IN
326	16 AWG	WHITE	W04	L2-2	14	J	C4(-)	13	J	24	IN
327	16 AWG	WHITE	W04	C4(-)	13		R7-1		J	24	IN
328	16 AWG	WHITE	W04	R7-1	13	J	R9-1		J	18	IN
329	16 AWG	WHITE	W04	R15-1	13	J	R8-1		J	12	IN
	16 AWG		W35	K1-B		J	K2-B		J	2	IN
	16 AWG		W35	R9-1		J	R8-1		J	5	IN
	16 AWG		W35	C1(-)	37		R1-1		J	2	IN
	16 AWG		W35	C2(-)	37		R2-1		J	3	IN
	16 AWG		W35	C3(-)	37		R3-1		J	2	IN
	16 AWG		W35	C4(-)	37		R4-1		J	2	IN
	16 AWG		W35	C5(-)	37		R5-1		J	3	IN
	16 AWG		W35	C6(-)	37		R6-1		J	2	IN
	16 AWG		W35	C1(+)	37		R1-2		J	3	IN
	16 AWG		W35	C2(+)	37		R2-2		J	4	IN
	16 AWG		W35	C3(+)	37		R3-2		J	2	IN
	16 AWG		W35	C4(+)	37		R4-2		J	3	IN
	16 AWG		W35	C5(+)	37		R5-2		J	3	IN
	16 AWG		W35	C6(+)	37		R6-2		J	2	IN
	16 AWG		W35	R1-2	37	J	R2-1		J	2	IN

REV E

¹ see table 2-1 ² see table 2-2 ³ see table 2-3

FIGURE 2-25. IPA Bias Power Supply 1PS1 (Sheet 1 of 2)

WIRE NO	SIZE	COLOR	TYPE	FROM	TO	TERM ² GEN. ³	TERM ² GEN. ³	LENGTH	REMARKS
R11	16 AWG		W35	R2-2	R3-1	J	J	2	BUS
	16 AWG		W35	R3-2	R6-2	J	J	6	BUS
	16 AWG		W35	R4-2	R5-1	J	J	2	BUS
	16 AWG		W35	R5-2	R6-1	J	J	2	BUS
				R11-1	GND	J	J	2	COMPONENT LEAD
	16 AWG		W35	R11-2	R12-1	J	J	2	BUS
	16 AWG		W35	R12-2	R13-1	J	J	2	BUS
	16 AWG		W35	R13-2	R14-1	J	J	2	BUS
	16 AWG		W35	CR1(-)	CR2(-)	J	J	2	BUS
	16 AWG		W35	CR2(-)	CR3(-)	J	J	2	BUS
	16 AWG		W35	CR4(+)	CR5(+)	J	J	2	BUS
	16 AWG		W35	CR5(+)	CR6(+)	J	J	2	BUS
	16 AWG		W35	K1-C	K2-C	J	J	2	BUS
	16 AWG	WHITE	W04	E12	K2-A	J	J	3	JUMPER
	16 AWG	WHITE	W04	E11	K2-B	J	J	3	JUMPER
	16 AWG	WHITE	W04	E10	K1-B	J	J	3	JUMPER
	16 AWG	WHITE	W04	E9	K1-A	J	J	3	JUMPER
	16 AWG	WHITE	W04	E7	E8	J	J	3	JUMPER
	16 AWG	WHITE	W04	R16-2	R16-3	J	J	2	JUMPER
	16 AWG	WHITE	W04	R16-1	E8	J	J	2	JUMPER
16 AWG	WHITE	W35	R16-3	GND	J	J	2	BUS	
			E8	GND	J	J	2	COMPONENT LEAD	

C7

REV E

¹ see table 2-1 ² see table 2-2 ³ see table 2-3

WIRE NO	SIZE	COLOR	TYPE ¹	FROM	TERM ² GEN. ³	TO	TERM ² GEN. ³	LENGTH	REMARKS
400	16	AWG	W06	TB1-1	15	T1-1	15	4	FT
401	16	AWG	W06	TB1-2	15	T1-2	15	4	FT
402	16	AWG	W06	TB1-3	15	T1-3	15	4	FT
403	18	AWG	W03	TB1-4	01	E6	J	2	FT
404	18	AWG	W03	TB1-5	01	E7	J	2	FT
405	18	AWG	W03	TB1-6	01	E9	J	2	FT
406	16	AWG	W06	TB1-7	15	R16-1	J	3	FT
407	16	AWG	W06	T1-4	15	CR7-AC 1 (+)	J	3	FT
408	16	AWG	W06	T1-5	15	CR8-AC 2 (+)	J	3	FT
409	16	AWG	W06	T1-6	15	CR9-AC 3 (+)	J	3	FT
410	16	AWG	W06	T1-7	15	CR3-AC 1 (+)	J	3	FT
411	16	AWG	W06	T1-8	15	CR5-AC 2 (-)	J	3	FT
412	16	AWG	W06	T1-9	15	CR4-AC 3 (-)	J	3	FT
413	16	AWG	W06	CR3(-)	J	L1-1	J	2	FT
414	16	AWG	W06	L1-2	J	R5-1	J	3	FT
418	16	AWG	W06	R3-2	J	K1-N0	J	3	FT
419	16	AWG	W06	CR6(+)	J	C2(+)	13	4	FT
420	16	AWG	W06	C2(+)	13	R4-2	J	4	FT
421	16	AWG	W06	R5-2	J	R6-2	J	4	FT
427	16	AWG	W06	R7-1	J	K1-C	J	2	FT
428	16	AWG	W06	CR9(-)	J	L2-1	15	4	FT
429	16	AWG	W06	L2-2	15	C3(-)	13	4	FT
430	16	AWG	W06	C3(-)	13	L3-1	15	4	FT
431	16	AWG	W06	L3-2	15	C5(-)	13	4	FT
432	16	AWG	W06	C5(-)	13	R12-1	J	3	FT
433	16	AWG	W06	R13-1	J	R18-1	J	3	FT
434	16	AWG	W06	CR12(+)	J	C4(+)	13	4	FT
435	16	AWG	W06	C6(+)	13	R12-2	J	4	FT
436	16	AWG	W06	R14-2	J	E1	14	3	FT
437	16	AWG	W06	R18-1	J	R7-2	J	3	FT
438	16	AWG	W06	E1	14	K2-N0	J	3	FT
439	16	AWG	W06	E3	14	K2-COM	J	3	FT
440	16	AWG	W06	E2	14	R18-2	J	3	FT
441	16	AWG	W06	E4	14	R19-2	J	3	FT
442	16	AWG	W06	E5	14	R19-1	J	3	FT
443	16	AWG	W06	R19-1	J	R13-2	J	3	FT
444	16	AWG	W06	C1(-)	13	R3-1	J	3	FT
	16	AWG	W35	C1(+)	13	R1-2	J	3	FT
	16	AWG	W35	R1-2	J	R2-1	J	4	IN
	16	AWG	W35	R2-1	J	C2(-)	31	3	IN
	16	AWG	W35	C1(-)	31	R1-1	J	3	IN
	16	AWG	W35	C2(+)	31	R2-2	J	3	IN
	16	AWG	W35	C5(-)	31	R10-1	J	3	IN
	16	AWG	W35	C5(+)	31	R10-2	J	3	IN

REV E

¹ see table 2-1 ² see table 2-2 ³ see table 2-3

WIRE NO	SIZE	COLOR	TYPE	FROM	TO	TERM 2	GEN. 3	TERM 2	GEN. 3	LENGTH	REMARKS
	16 AWG		W35	R10-2	R11-1	31	J	31	J	2	BUS
	16 AWG		W35	R11-1	C6(-)	31	J	31	J	2	BUS
	16 AWG		W35	C6(+)	R11-2				J	2	BUS
	16 AWG		W35	C6(+)	C4(+)	31		31	J	6	BUS
	16 AWG		W35	C4(+)	R9-2	31		31	J	4	BUS
	16 AWG		W35	C4(-)	R9-1	31		31	J	3	BUS
	16 AWG		W35	R9-1	R8-2		J		J	2	BUS
	16 AWG		W35	R8-2	C3(+)		J	31	J	3	BUS
	16 AWG		W35	R3-1	R4-1		J		J	5	BUS
	16 AWG		W35	R4-1	R5-1		J		J	5	BUS
	16 AWG		W35	R17-2	R16-1		J		J	2	BUS
	16 AWG		W35	R16-2	R15-1		J		J	2	BUS
	16 AWG		W35	R15-2	R14-1		J		J	2	BUS
	16 AWG		W35	R7-1	R6-1		J		J	2	BUS
	16 AWG		W35	R7-2	R6-2		J		J	2	BUS
	16 AWG		W35	CR1(-)	CR2(-)		J		J	2	BUS
	16 AWG		W35	CR2(-)	CR3(-)		J		J	2	BUS
	16 AWG		W35	CR4(+)	CR5(+)		J		J	2	BUS
	16 AWG		W35	CR5(+)	CR6(+)		J		J	2	BUS
	16 AWG		W35	CR7(-)	CR8(-)		J		J	2	BUS
	16 AWG		W35	CR8(-)	CR9(-)		J		J	2	BUS
	16 AWG		W35	CR10(+)	CR11(+)		J		J	2	BUS
	16 AWG		W35	CR11(+)	CR12(+)		J		J	2	BUS
	16 AWG		W35	E6	K1-B		J		J	4	JUMPER
	16 AWG		W35	E7	K1-A		J		J	4	JUMPER
	16 AWG		W35	E8	K2-B		J		J	4	JUMPER
	16 AWG		W35	E9	K2-A		J		J	4	JUMPER
	16 AWG		W35	K1-N0	K2-N0		J		J	3	BUS
	16 AWG		W35	K1-B	K2-B		J		J	3	BUS
	16 AWG		W35	R12-1	R13-1		J		J	6	BUS
	16 AWG		W35	R12-2	R13-2		J		J	6	BUS
	16 AWG		W35	C3(-)	R8-1	13			J	3	BUS
	16 AWG		W35	R4-2	R5-2		J		J	5	BUS
	16 AWG		W35	R17-1	GND		J		J	5	COMPONENT LEAD
R17	16 AWG	WHITE	W06	R20-1	E5		J	14	J	4	JUMPER
	16 AWG	WHITE	W06	R20-2	R20-3		J		J	3	JUMPER
	16 AWG	WHITE	W06	R20-3	GND		J		J	1	BUS
	16 AWG	WHITE	W06	E5	C7-1		J	13	J	4	JUMPER
C7	16 AWG	WHITE	W06	C7-2	GND		J	13	J	4	COMPONENT LEAD

REV E

1 see table 2-1 2 see table 2-2 3 see table 2-3

FIGURE 2-26. Driver Amplifier Bias Power Supply 1PS4 (Sheet 2 of 2)

WIRE NO	SIZE	COLOR	TYPE	FROM	TERM ²	GEN. ³	TO	TERM ²	GEN. ³	LENGTH	REMARKS
500	16	AWG	WHITE	W06	TB1-1	15	T1-4	14		4	FT
501	16	AWG	WHITE	W06	TB1-2	15	T1-5	14		4	FT
502	16	AWG	WHITE	W06	TB1-3	15	T1-6	14		4	FT
503	16	AWG	WHITE	W04	TB1-4	15	E6		J	2	FT
504	18	AWG	WHITE	W04	TB1-5	01	E7		J	2	FT
505	16	AWG	WHITE	W04	TB1-6	15	E9		J	3	FT
506	16	AWG	WHITE	W04	TB1-7	15	R11-2		J	3	FT
507	16	AWG	WHITE	W04	T1-13	14	CR1-AC		J	3	FT
508	16	AWG	WHITE	W04	T1-14	14	CR2-AC		J	3	FT
509	16	AWG	WHITE	W04	T1-15	14	CR3-AC		J	3	FT
510	16	AWG	WHITE	W04	T1-10	14	CR7-AC		J	3	FT
511	16	AWG	WHITE	W04	T1-11	14	CR8-AC		J	3	FT
512	16	AWG	WHITE	W04	T1-12	14	CR9-AC		J	3	FT
513	16	AWG	WHITE	W04	CR1(-)	14	L1-1		J	2	FT
514	16	AWG	WHITE	W04	CR9(-)	13	L2-1	14	J	3	FT
515	16	AWG	WHITE	W04	L1-2	13	R5-1		J	2	FT
517	16	AWG	WHITE	W04	R3-1	14	C1(-)	13	J	3	FT
518	16	AWG	WHITE	W04	E1	14	K1-NO		J	2	FT
519	16	AWG	WHITE	W04	K2-NO	14	R5-2		J	3	FT
520	16	AWG	WHITE	W04	R5-2	14	R8-2		J	2	FT
521	16	AWG	WHITE	W04	E3	14	K2-C		J	2	FT
524	16	AWG	WHITE	W04	L2-2	14	L3-1	14	J	3	FT
525	16	AWG	WHITE	W04	L3-1	14	C3(-)	13	J	4	FT
527	16	AWG	WHITE	W04	R6-1	13	K1-C	13	J	3	FT
528	16	AWG	WHITE	W04	R23-1	13	C6(+)	14	J	4	FT
529	16	AWG	WHITE	W04	C5(-)	13	L3-2	14	J	3	FT
531	16	AWG	WHITE	W04	C5(-)	13	C2(+)	13	J	2	FT
532	16	AWG	WHITE	W04	C2(+)	13	R3-2		J	3	FT
534	16	AWG	WHITE	W04	R7-2	14	R18-1		J	4	FT
535	16	AWG	WHITE	W04	L3-2	14	CR6(+)	13	J	3	FT
536	16	AWG	WHITE	W04	CR12(+)	14	C6(+)		J	3	FT
537	16	AWG	WHITE	W04	E2	14	R20-1		J	3	FT
	16	AWG	WHITE	W35	CR1(-)		CR2(-)		J	1	IN
	16	AWG	WHITE	W35	CR2(-)		CR3(-)		J	1	IN
	16	AWG	WHITE	W35	CR4(+)		CR5(+)		J	1	IN
	16	AWG	WHITE	W35	CR5(+)		CR6(+)		J	1	IN
	16	AWG	WHITE	W35	CR7(-)		CR8(-)		J	1	IN
	16	AWG	WHITE	W35	CR8(-)		CR9(-)		J	1	IN
	16	AWG	WHITE	W35	CR10(+)		CR11(+)		J	1	IN
	16	AWG	WHITE	W35	CR11(+)		CR12(+)		J	1	IN
	16	AWG	WHITE	W35	R11-1		GND		J	2	IN
	16	AWG	WHITE	W35	R11-2		R10-1		J	1	IN
	16	AWG	WHITE	W35	R10-2		R9-1		J	1	IN
	16	AWG	WHITE	W35	R9-2		R8-1		J	1	IN

¹ see table 2-1 ² see table 2-2 ³ see table 2-3 REV E

FIGURE 2-27. PA Bias Power Supply 1PS5 (Sheet 1 of 2)

WIRE NO	SIZE	COLOR	TYPE ¹	FROM	TERM ²	GEN. ³	TO	TERM ²	GEN. ³	LENGTH	REMARKS
16	AWG		W35	R6-1		J	R7-1		J	2	IN BUS
16	AWG		W35	R6-2		J	R7-2		J	2	IN BUS
16	AWG		W35	C1(-)	13	J	R1-1		J	2	IN BUS
16	AWG		W35	C1(+)	13	J	R1-2		J	2	IN BUS
16	AWG		W35	R1-2		J	R2-1		J	2	IN BUS
16	AWG		W35	R2-1		J	C2(-)	13	J	3	IN BUS
16	AWG		W35	C2(+)	13	J	R2-2		J	3	IN BUS
16	AWG		W35	C3(-)	13	J	R12-1		J	2	IN BUS
16	AWG		W35	C3(+)	13	J	R12-2		J	2	IN BUS
16	AWG		W35	R12-2		J	R13-1		J	3	IN BUS
16	AWG		W35	R13-1		J	C4(-)	13	J	2	IN BUS
16	AWG		W35	C4(+)	13	J	R13-2		J	2	IN BUS
16	AWG		W35	C5(-)	13	J	R14-1		J	3	IN BUS
16	AWG		W35	C5(+)	13	J	R14-2		J	3	IN BUS
16	AWG		W35	R14-2		J	R15-1		J	3	IN BUS
16	AWG		W35	R15-1		J	C6(-)	13	J	2	IN BUS
16	AWG		W35	C6(+)	13	J	R15-2		J	3	IN BUS
16	AWG		W35	R3-1		J	R4-1		J	5	IN BUS
16	AWG		W35	R3-2		J	R4-2		J	5	IN BUS
16	AWG		W35	R16-1		J	R17-1		J	5	IN BUS
16	AWG		W35	R17-1		J	R18-1		J	5	IN BUS
16	AWG		W35	R18-1		J	R19-1		J	5	IN BUS
16	AWG		W35	R19-1		J	R20-1		J	5	IN BUS
16	AWG		W35	R16-2		J	R17-2		J	5	IN BUS
16	AWG		W35	R17-2		J	R18-2		J	5	IN BUS
16	AWG		W35	R18-2		J	R19-2		J	5	IN BUS
16	AWG		W35	E4	14	J	R22-2		J	6	IN BUS
16	AWG		W35	R23-1		J	R22-1		J	3	IN BUS
16	AWG		W35	R4-2		J	R6-2		J	5	IN BUS
16	AWG		W35	R20-2		J	R22-1		J	8	IN BUS
16	AWG		W35	R19-2		J	R20-2		J	5	IN BUS
16	AWG		W35	R4-1		J	R5-1		J	5	IN BUS
16	AWG		W35	K1-B		J	K2-B		J	2	IN BUS
16	AWG		W35	K2-N0		J	K1-N0		J	2	IN BUS
16	AWG		W35	C4(+)	13	J	C6(+)	13	J	5	IN BUS
16	AWG		W35	E7		J	K1-A		J	4	IN JUMPER
16	AWG		W35	E6		J	K1-B		J	4	IN JUMPER
16	AWG		W35	E8		J	K2-B		J	6	IN JUMPER
16	AWG		W35	E9		J	K2-A		J	6	IN JUMPER
18	AWG		W35	R23-1		J	R24-1		J	4	IN JUMPER
18	AWG		W35	R23-2		J	R23-3		J	2	IN JUMPER
18	AWG		W35	E5		J	R24-2		J	3	IN JUMPER
18	AWG		W35	R23-3		J	GND LUG		J	1	IN BUS

REV E

¹ see table 2-1 ² see table 2-2 ³ see table 2-3

FIGURE 2-27. PA Bias Power Supply 1PS5 (Sheet 2 of 2)

WIRE NO	SIZE	COLOR	TYPE ¹	FROM	TERM ²	GEN. ³	TO	TERM ²	GEN. ³	LENGTH	REMARKS
3868-01	16	AWG	WHITE	W08	S2-COM	07	TB1-3	01		36	IN
3869-01	16	AWG	WHITE	W08	S2-NO	07	TB1-4	01		36	IN
	16	AWG	WHITE	W08	S3-COM	07	TB1-1	01		6	IN
	16	AWG	WHITE	W08	S3-NO	07	TB1-2	01		6	IN

REVD

¹ see table 2-1 ² see table 2-2 ³ see table 2-3

FIGURE 2-28. Transfer Switch 1S32, 1S33, 1S34, 1S35

WIRE NO	SIZE	COLOR	TYPE ¹	FROM	TERM ² GEN. ³	TO	TERM ² GEN. ³	LENGTH	REMARKS
3860-01	16 AWG	WHITE	W08	S2-COM	07	TB1-3	01	36	IN
3861-01	16 AWG	WHITE	W08	S2-NO	07	TB1-4	01	36	IN
	16 AWG	WHITE	W08	S3-COM	07	TB1-1	01	6	IN JUMPER
	16 AWG	WHITE	W08	S3-NO	07	TB1-2	01	6	IN JUMPER

REV D

¹ see table 2-1 ² see table 2-2 ³ see table 2-3

WIRE NO	SIZE	COLOR	TYPE ¹	FROM	TERM ² GEN. ³	TO	TERM ² GEN. ³	LENGTH	REMARKS
1533	18 AWG	WHITE	W03	TB1-1 TB1-1 TB1-2	15 01 01	L1-1 S1A-COM L1-2	01 09 15	2 FT	COMPONENT LEAD SEP FORM
1534	18 AWG	WHITE	W03	TB1-4	01	S1A-NC	09	2 FT	COMPONENT LEAD SEP FORM
1535	18 AWG	WHITE	W03	TB1-5	01	S1B-COM	09	2 FT	
1536	18 AWG	WHITE	W03	TB1-6	01	S1B-NO	09	2 FT	
1537	18 AWG	WHITE	W03	TB1-7	01	S1B-NC	09	2 FT	

REV D

¹ see table 2-1 ² see table 2-2 ³ see table 2-3

FIGURE 2-30. Grounding Switch 1S38

WIRE NO	SIZE	COLOR	TYPE	FROM	TERM 2	GEN. 3	TO	TERM 2	GEN. 3	LENGTH	REMARKS
2173	RG223	WHITE	W44	A1-J1 PFT	01		R179-1			12	IN SHIELD TO R197-2
2215	18 AWG	WHITE	W03	A1TB1-01	01		E12	08	J	20	FT
2152	18 AWG	WHITE	W03	A1TB1-01	01		K02-4		J	18	FT
2200	20 AWG	WHITE	W02	A1TB1-02	01		K09-A2		J	12	FT
2169	20 AWG	WHITE	W02	A1TB1-02	01		K11-A2		J	20	FT
2170	20 AWG	WHITE	W02	A1TB1-05	01		XK21-09		J	4	FT
2153	20 AWG	WHITE	W02	A1TB1-07	01		XK21-01		J	4	FT
2163	18 AWG	WHITE	W03	A1TB1-09	01		K09-B2		J	12	FT
2217	18 AWG	WHITE	W03	A1TB1-10	01		XK16-09		J	10	FT
2218	14 AWG	WHITE	W05	A1TB1-12	10		A2CB4-2	13		35	FT
2219	14 AWG	WHITE	W05	A1TB1-13	10		A2CB4-4	13		35	FT
2129	14 AWG	WHITE	W05	A1TB1-14	10		A2CB4-6	49		35	FT
2201	6 AWG	WHITE	W14	A2 COM 2	49		E19		J	21	FT
2216	14 AWG	WHITE	W05	A2 COM 2	12		E05			20	FT
2224	14 AWG	WHITE	W05	A2 COM 2	12		TB01-04	13		25	FT
2260	12 AWG	WHITE	W10	A2 COM 3	18		TB1-01	16		20	FT
2119	8 AWG	WHITE	W13	A2 NEUT	35		T24-03-1	35		10	FT
2120	6 AWG	WHITE	W14	A2CB1-1	28		T20-H2	48		25	FT
2121	6 AWG	WHITE	W14	A2CB1-3	28	C	T21-H2	48	C	25	FT
2257	6 AWG	WHITE	W14	A2CB1-5	28	C	T22-H2	48	C	25	FT
2258	8 AWG	WHITE	W13	A2CB2-2	29		T24-01-2	35		8	FT
2259	8 AWG	WHITE	W13	A2CB2-4	29		T24-02-2	35		8	FT
2202	8 AWG	WHITE	W13	A2CB2-6	29		T24-03-2	35		8	FT
2217	14 AWG	WHITE	W05	A2CB3-2	13		K03-2	14		20	FT
2218	14 AWG	WHITE	W05	A2CB4-2	13		A1TB1-12	10		35	FT
2219	14 AWG	WHITE	W05	A2CB4-4	13		A1TB1-13	10		35	FT
2214	14 AWG	WHITE	W05	A2CB4-6	13		A1TB1-14	10		35	FT
2214	12 AWG	WHITE	W10	A2CB8-1	16		T23-H2	50		25	FT
2234	12 AWG	WHITE	W10	A2CB8-1	16		CB3-1	50		25	FT
2247	16 AWG	WHITE	W04	A2CB8-2	13		R191-2	51	J	6	FT
2222	12 AWG	WHITE	W10	A2CB9-1	16		TB01-02			20	FT
2102	12 AWG	WHITE	W10	A2CB9-2	16		J2-1			20	FT
2101	14 AWG	WHITE	W05	A2K01-02	15		T04-01	41		10	FT
2100	14 AWG	WHITE	W05	A2K01-04	15		T04-05	41		10	FT
2117	14 AWG	WHITE	W05	A2K01-06	15		T04-09	41		10	FT
2118	14 AWG	WHITE	W05	A2K02-02	15		T08-01	41		10	FT
2116	14 AWG	WHITE	W05	A2K02-04	15		T08-05	41		10	FT
2135	14 AWG	WHITE	W05	A2K02-06	15		T08-09	41		10	FT
2136	14 AWG	WHITE	W05	A2K02-08	15		T12-01	41		12	FT
2134	14 AWG	WHITE	W05	A2K02-10	15		T12-05	41		12	FT
2249A	14 AWG	WHITE	W29	A2K02-12	15		T12-09	41		12	FT
2249B	18 AWG	WHITE	W29	A2S1-13T	06		A3TB1-01	01		10	FT
2210B		BLACK		A2S1-14T	06		A3TB1-02	01		10	FT
		BLACK		A2S1-18	14		T20-X1				

REV F

¹ see table 2-1 ² see table 2-2 ³ see table 2-3

FIGURE 2-31. High Voltage Power Supply Cabinet 2 (Sheet 1 of 27)

WIRE NO	SIZE	COLOR	TYPE	FROM	TERM	2	GEN.	3	TO	TERM	2	GEN.	3	LENGTH	REMARKS
2210A	14 AWG	WHITE	W27	2S1-1T	14				T20-X2					24	FT
2210C		SHIELD		2S1-1T	15				OPEN						
2248A	14 AWG	WHITE	W27	2S1-1T	14				A3TB1-05	41				10	FT
2248C		SHIELD		2S1-1T	15				OPEN						
2250A	14 AWG	WHITE	W27	2S2-1T	14				A3TB2-05	41				10	FT
2248B		BLACK		2S1-2T	14				A3TB1-04	41					
2211B	14 AWG	BLACK	W27	2S1-3B	15				T21-X1					25	FT
2211A		WHITE		2S1-3T	14				T21-X2						
2211C		SHIELD		2S1-3T	15				OPEN						
2212B	14 AWG	BLACK	W27	2S1-5B	15				T22-X1					24	FT
2212A		WHITE		2S1-5T	14				T22-X2						
2212C		SHIELD		2S1-5T	15				OPEN						
2208A	14 AWG	WHITE	W27	2S2-1B	14				T16-X1					20	FT
2208B		BLACK		2S2-1T	15				T16-X2						
2208C		SHIELD		2S2-1T	15				OPEN						
2250C		SHIELD		2S2-1T	15				OPEN						
2250B		BLACK		2S2-1T	15				OPEN						
2209A	14 AWG	WHITE	W27	2S2-2T	14				A3TB2-04	41				18	FT
2209B		BLACK		2S2-3B	14				T17-X1						
2209C		SHIELD		2S2-3T	15				T17-X2						
2206A	18 AWG	WHITE	W29	2S2-3T	15				OPEN						
2206B		BLACK		2S2-5B	06				T14-X1		J			12	FT
2207A	18 AWG	WHITE	W29	2S2-6B	06				T14-X2		J				
2207B		BLACK		2S2-6B	06				T15-X1		J			12	FT
2251A	18 AWG	WHITE	W29	2S2-7T	08				T15-X2		J				
2251B		BLACK		2S2-8T	08				A3TB2-01	01				10	FT
2171A	18 AWG	WHITE	W17	2S3-1B	06				A3TB2-02	01					
2190A	18 AWG	WHITE	W17	2S3-2B	06				R040-1		J			20	FT
2252A	18 AWG	WHITE	W17	2S3-2T	06				R056-1		J			20	FT
2195A	18 AWG	WHITE	W17	2S3-3B	06				A3TB3-02	01				10	FT
2252B		SHIELD		2S3-4B	06				R072-1		J			20	FT
2115A	18 AWG	WHITE	W17	2S3-5B	08				A3TB3-01	01					
2133A	18 AWG	WHITE	W17	2S3-6B	08				R120-1		J			15	FT
2253A	18 AWG	WHITE	W17	2S3-6T	06				R121-1		J			15	FT
2151A	18 AWG	WHITE	W17	2S3-7B	08				A3TB3-05	01				10	FT
2253B		SHIELD		2S3-8B	06				R122-1		J			15	FT
2213B	14 AWG	BLACK	W27	2S4-2B	15			J	A3TB3-04	01				25	FT
2213A		WHITE		2S4-2T	15				T23-X1		J				
2213C		SHIELD		2S4-2T	15				T23-X2		J				
2245A	18 AWG	WHITE	W29	2T01-X1				J	OPEN					15	FT
2245B		BLACK		2T02-X2				J	Z2TB1-01	01					
2235	16 AWG	WHITE	W04	2TB1-01	10			J	Z2TB1-03	01				18	FT
2227	18 AWG	WHITE	W03	2TB1-02	01				K03-B	10				20	FT
2239	18 AWG	WHITE	W03	2TB1-03	01				K01TB1-07	01				25	FT

REV F

¹ see table 2-1 ² see table 2-2

³ see table 2-3

E	AWG	COLOR	E ¹	FROM	TERM ²	GEN. ³	TO	TERM ²	GEN. ³	LENGTH	REMARKS
	AWG	WHITE	01	A2TB1-04	01		E11	01	J	30	FT
	AWG	WHITE	01	A2TB1-05	01		K03-6	01		18	FT
	AWG	WHITE	01	A2TB1-06	01		K01TB1-04	01		20	FT
	AWG	WHITE	01	A2TB1-09	01		Z2TB2-03	01		15	FT
	AWG	WHITE	10	A2TB1-11	10		E07		J	25	FT
	AWG	WHITE	01	A3TB1-01	01		A2S1-13T	06		10	FT
	AWG	WHITE	01	A3TB1-02	01		A2S1-14T	06			
	AWG	BLACK	41	A3TB1-04	41		A2S1-2T	14		10	FT
	AWG	WHITE	41	A3TB1-05	41		A2S1-1T	14		10	FT
	AWG	WHITE	01	A3TB2-01	01		A2S2-7T	08			
	AWG	BLACK	01	A3TB2-02	01		A2S2-8T	08			
	AWG	BLACK	41	A3TB2-04	41		A2S2-2T	14		10	FT
	AWG	WHITE	41	A3TB2-05	41		A2S2-1T	14			
	AWG	SHIELD	01	A3TB3-01	01		A2S3-4B	06			
	AWG	WHITE	01	A3TB3-02	01		A2S3-2T	06		10	FT
	AWG	SHIELD	01	A3TB3-04	01		A2S3-8B	06			
	AWG	WHITE	01	A3TB3-05	01		A2S3-6T	06		10	FT
	AWG	WHITE	10	A4TB1-01	10		T24-303	12		3	FT
	AWG	WHITE	10	A4TB1-02	10		TB01-04	01		3	FT
	AWG	WHITE	10	A4TB1-03	10		T24-203	12		3	FT
	AWG	WHITE	10	A4TB1-04	10		T24-13	10		3	FT
	AWG	WHITE	10	A4TB1-05	10		T24-12	10		3	FT
	AWG	WHITE	35	C01-1	35		R001-2	35	F	9	IN
	AWG	WHITE	35	C01-2	35		T01-R0	35	F	16	IN
	AWG	WHITE	35	C02-1	35		R002-2	35	F	9	IN
	AWG	WHITE	35	C03-1	35		R003-2	35	F	9	IN
	AWG	WHITE	35	C06-2	35		CR04(-)	35	F	57	IN
	AWG	WHITE	18	C10-2	18		R034-2	06	J	4	FT
	AWG	WHITE	03	C12-1	03		L2-2	06		4	FT
	AWG	WHITE	11	C12-1	11		S2-4	12		4	FT
	AWG	WHITE	03	C12-2	03		R099-2	31	J	9	FT
	AWG	WHITE	03	C12-2	03		CR21(-)	31		9	FT
	AWG	WHITE	16	C14-1	16		R041-2	16	J	2	FT
	AWG	WHITE	16	C15-1	16		R042-2	16	J	2	FT
	AWG	WHITE	16	C16-1	16		R043-2	16	J	2	FT
	AWG	WHITE	50	C16-2	50		T05-R0	11	J	6	FT
	AWG	WHITE	11	C17-1	11		R046-2	11		11	IN
	AWG	WHITE	11	C17-2	11		C18-2	11		11	IN
	AWG	WHITE	11	C17-2	11		R053-2	17	J	17	IN
	AWG	WHITE	50	C18-1	50		R048-2	12	J	12	IN
	AWG	WHITE	11	C18-2	11		C17-2	11		11	IN
	AWG	WHITE	11	C18-2	11		CR07(-)	13	J	31	IN
	AWG	WHITE	03	C19-1	03		L5-2	07		4	FT
	AWG	WHITE	11	C19-1	11		S2-5	12		8	FT

REV F

FIGURE 2-31. High Voltage Power Supply Cabinet 2 (Sheet 3 of 27)

2-1 see table

WIRE NO	SIZE	COLOR	TYPE	FROM	TERM	GEN.	TO	TERM	GEN.	LENGTH	REMARKS
2125	18 AWG	WHITE	W07	C19-2	03		CR24(-)		J	8 FT	
2127	18 AWG	WHITE	W07	C19-2	03		R103-2		J	8 FT	
	14 AWG	WHITE	W05	C20-1	12		R057-2		J	5 IN	
	14 AWG	WHITE	W05	C21-1	12		R058-2		J	5 IN	
	14 AWG	WHITE	W05	C22-1	12		R059-1		J	5 IN	
	14 AWG	WHITE	W46	C22-2	16		T09-R0	16		86 IN	
	14 AWG	WHITE	W46	C23-1	50		R061-2		J	16 IN	
	14 AWG	WHITE	W09	C23-2	11		C24-2	11		11 IN	
	14 AWG	WHITE	W09	C23-2	11		R069-2		J	16 IN	
	14 AWG	WHITE	W46	C24-1	50		R063-2		J	12 IN	
	14 AWG	WHITE	W09	C24-2	11		C23-2	11		11 IN	
	14 AWG	WHITE	W46	C24-2	11		CR10(-)	13		25 IN	
2137	18 AWG	WHITE	W07	C25-1	03		L8-2	07		4 FT	
2138	14 AWG	WHITE	W09	C25-1	11		S2-6	12		10 FT	
2143	18 AWG	WHITE	W07	C25-2		J	CR27(-)		J	8 FT	
2145	18 AWG	WHITE	W07	C25-2		J	R107-2		J	8 FT	
	22 AWG	WHITE	W01	C26(+)	05		XK15-13			13 IN	
	22 AWG	WHITE	W01	C26(-)	05		XK15-14			13 IN	
	16 AWG	WHITE	W04	C26(-)	13		GND	15		6 IN	JUMPER
	22 AWG	WHITE	W01	C27(+)	05		XK16-13			13 IN	
	22 AWG	WHITE	W01	C27(-)	05		XK16-14			13 IN	
	16 AWG	WHITE	W04	C27(-)	13		GND	15		6 IN	JUMPER
	22 AWG	WHITE	W01	C28(+)	05		XK17-13			7 FT	
	22 AWG	WHITE	W01	C28(-)	05		XK17-14			7 FT	
	16 AWG	WHITE	W04	C28(-)	13		GND	15		6 IN	JUMPER
	22 AWG	WHITE	W01	C29(+)	05		XK18-13			7 FT	
	22 AWG	WHITE	W01	C29(-)	05		XK18-14			7 FT	
	16 AWG	WHITE	W04	C29(-)	13		GND	15		6 IN	JUMPER
	22 AWG	WHITE	W01	C30(+)	06		XK19-13			24 IN	
	22 AWG	WHITE	W01	C30(-)	06		XK19-14			24 IN	
	16 AWG	WHITE	W04	C30(-)	13		GND	15		6 IN	JUMPER
	22 AWG	WHITE	W01	C31(+)	06		XK20-13			24 IN	
	22 AWG	WHITE	W01	C31(-)	06		XK20-14			24 IN	
	16 AWG	WHITE	W04	C31(-)	13		GND	15		6 IN	JUMPER
	16 AWG	WHITE	W04	C32(+)	13		R182-1 GND	13		3 IN	JUMPER
	16 AWG	WHITE	W04	C32(-)	13		R173-1	12		6 IN	BUS
	16 AWG	WHITE	W04	C32(-)	13		R085-1		J	3 IN	
	16 AWG	WHITE	W04	C33(+)	13		R183-2	13		3 IN	
	16 AWG	WHITE	W04	C33(-)	13		R174-1		J	6 IN	
	16 AWG	WHITE	W04	C33-1	13		R086-1		J	3 IN	
	16 AWG	WHITE	W04	C34(+)	13		R184-2	13		3 IN	
	16 AWG	WHITE	W04	C34(-)	13		R087-1		J	3 IN	
	16 AWG	WHITE	W04	C34(-)	13		R175-1		J	6 IN	
	12 AWG	WHITE	W10	COMM N3			J2-2		J	20 FT	

REV F

¹ see table 2-1 ² see table 2-2 ³ see table 2-3

FIGURE 2-31. High Voltage Power Supply Cabinet 2 (Sheet 4 of 27)

WIRE NO	SIZE	COLOR	TYPE	FROM	TERM 2	GEN. 3	TO	TERM 2	GEN. 3	LENGTH	REMARKS
8	AWG	WHITE	W26	CR01(+)	35	F	CR02(+)	35	F	16	IN
8	AWG	WHITE	W26	CR01(-)	35	F	CR04(+)	35	F	50	IN
8	AWG	WHITE	W26	CR02(+)	35	F	CR03(+)	35	F	16	IN
8	AWG	WHITE	W26	CR02(+)	35	F	CR01(+)	35	F	16	IN
8	AWG	WHITE	W26	CR02(-)	35	F	CR05(+)	35	F	50	IN
8	AWG	WHITE	W26	CR03(+)	35	F	L1-1	29		83	IN
8	AWG	WHITE	W26	CR03(+)	35	F	CR02(+)	35	F	16	IN
8	AWG	WHITE	W26	CR03(-)	35	F	CR06(+)	35	F	48	IN
8	AWG	WHITE	W26	CR04(+)	35	F	CR01(-)	35	F	50	IN
8	AWG	WHITE	W26	CR04(+)	35	F	R001-1	35	F	8	FT
8	AWG	WHITE	W26	CR04(-)	35	F	CR05(-)	35	F	16	IN
8	AWG	WHITE	W26	CR04(-)	35	F	C06-2	35	F	57	IN
8	AWG	WHITE	W26	CR05(+)	35	F	CR02(-)	35	F	50	IN
8	AWG	WHITE	W26	CR05(+)	35	F	R002-1	35	F	7	FT
8	AWG	WHITE	W26	CR05(-)	35	F	CR06(-)	35	F	16	IN
8	AWG	WHITE	W26	CR05(-)	35	F	CR04(-)	35	F	16	IN
8	AWG	WHITE	W26	CR06(+)	35	F	CR03(-)	35	F	48	IN
8	AWG	WHITE	W26	CR06(+)	35	F	R003-1	35	F	6	FT
8	AWG	WHITE	W26	CR06(-)	35	F	CR05(-)	35	F	16	IN
14	AWG	WHITE	W46	CR07(+)	16		CR08(+)	16	J	10	IN
14	AWG	WHITE	W46	CR07(+)	16		R044-1			7	FT
14	AWG	WHITE	W46	CR07(-)	16		CR08(-)	16		10	IN
14	AWG	WHITE	W09	CR07(-)	13		C18-2	11		32	IN
14	AWG	WHITE	W46	CR07(AC)	16		R041-1	16	J	3	FT
14	AWG	WHITE	W46	CR08(+)	16		CR09(+)	16		10	IN
14	AWG	WHITE	W46	CR08(+)	16		CR07(+)	16		10	IN
14	AWG	WHITE	W46	CR08(-)	16		CR09(-)	16		10	IN
14	AWG	WHITE	W46	CR08(-)	16		CR07(-)	16		10	IN
14	AWG	WHITE	W46	CR08(AC)	16		R042-1	16	J	4	FT
14	AWG	WHITE	W46	CR09(+)	16		CR08(+)	16		10	IN
14	AWG	WHITE	W46	CR09(-)	16		CR08(-)	16		10	IN
14	AWG	WHITE	W46	CR09(AC)	16		R043-1	16	J	5	FT
14	AWG	WHITE	W46	CR10(+)	16		CR11(+)	16		10	IN
14	AWG	WHITE	W46	CR10(+)	16		R060-1	16		7	IN
14	AWG	WHITE	W46	CR10(-)	16		CR11(-)	16		10	IN
14	AWG	WHITE	W09	CR10(-)	13		C24-2	11		25	IN
14	AWG	WHITE	W46	CR10(AC)	16		R057-1	16	J	30	IN
14	AWG	WHITE	W46	CR11(+)	16		CR12(+)	16		10	IN
14	AWG	WHITE	W46	CR11(+)	16		CR10(+)	16		10	IN
14	AWG	WHITE	W46	CR11(-)	16		CR12(-)	16		10	IN
14	AWG	WHITE	W46	CR11(-)	16		CR10(-)	16		10	IN
14	AWG	WHITE	W46	CR11(AC)	16		R058-1	16	J	44	IN
14	AWG	WHITE	W46	CR12(+)	16		CR11(+)	16		10	IN
14	AWG	WHITE	W46	CR12(-)	16		CR11(-)	16		10	IN

REV F

FIGURE 2-31. High Voltage Power Supply Cabinet 2 (Sheet 5 of 27)

PE	1	FROM	TERM	2	GEN.	3	TO	TERM	2	GEN.	3	LENGTH	REMARKS
6		CR12(AC)	16				R059-1					58	IN
		CR13(+)					E03			J			COMPONENT LEAD
		CR13(-)					E04			J			COMPONENT LEAD
		CR14(+)					E11			J			COMPONENT LEAD
		CR14(-)					E12			J			COMPONENT LEAD
		CR15(+)					E15			J			COMPONENT LEAD
		CR15(-)					E16			J			COMPONENT LEAD
		CR16(+)					E01			J			COMPONENT LEAD
		CR16(-)					E02			J			COMPONENT LEAD
6		CR19(+)	31				CR20(+)			J		4	IN
6		CR19(-)	31				CR20(-)			J		4	IN
7		CR19(AC)			J		T04-13	06		J		9	IN
6		CR20(+)	31				CR21(+)			J		4	IN
6		CR20(+)	31				CR19(+)	31		J		4	IN
6		CR20(-)	31				CR21(-)			J		4	IN
6		CR20(-)	31				CR19(-)	31		J		4	IN
7		CR20(AC)			J		T04-14	06		J		6	IN
6		CR21(+)	31				CR20(+)			J		4	IN
7		CR21(+)	31				L2-1	06		J		9	FT
6		CR21(-)	31				CR20(-)	31		J		4	IN
7		CR21(-)	31				C12-2	03		J		9	FT
7		CR21(AC)			J		T04-15	06		J		9	IN
4		CR22(+)			J		CR23(+)			J		3	IN
4		CR22(-)			J		CR23(-)			J		2	IN
7		CR22(AC)			J		T08-13	06		J		9	IN
4		CR23(+)			J		CR24(+)			J		3	IN
4		CR23(+)			J		CR22(+)			J		3	IN
4		CR23(-)			J		CR24(-)			J		2	IN
4		CR23(-)			J		CR22(-)			J		2	IN
7		CR23(AC)			J		T08-14	06		J		6	IN
4		CR24(+)			J		CR23(+)			J		3	IN
7		CR24(+)			J		L5-1	07		J		8	FT
4		CR24(-)			J		CR23(-)			J		2	IN
7		CR24(-)			J		C19-2	03		J		8	FT
7		CR24(AC)			J		T08-15	06		J		9	IN
6		CR25(+)			J		CR26(+)			J		4	IN
4		CR25(-)			J		CR26(-)			J		4	IN
7		CR25(AC)			J		T12-13	06		J		9	IN
6		CR26(+)			J		CR27(+)			J		4	IN
6		CR26(+)			J		CR25(+)			J		4	IN
4		CR26(-)			J		CR27(-)			J		4	IN
4		CR26(-)			J		CR25(-)			J		4	IN
7		CR26(AC)			J		T12-14	06		J		6	IN
6		CR27(+)			J		CR26(+)			J		4	IN

FIGURE 2-31. High Voltage Power Supply Cabinet 2 (Sheet 6 of 27)

REV F

2-2 3 see table 2-3

2 see t

WIRE NO	SIZE	COLOR	TYPE	1			2			3			REMARKS
				FROM	TO	TERM	GEN.	TERM	GEN.	TERM	GEN.	LENGTH	
2142	14 AWG	WHITE	W09	CR27(+)	L8-1	15	J	8 FT				BUS	
2143	14 AWG	WHITE	W34	CR27(-)	CR26(-)		J	4 IN					
	18 AWG		W07	CR27(-)	C25-2		J	8 FT					
	18 AWG	WHITE	W07	CR27(AC)	T12-15	06	J	9 IN					
				CR29(+)	E14		J					COMPONENT LEAD	
				CR29(-)	E13		J					COMPONENT LEAD	
				CR30(+)	E18		J					COMPONENT LEAD	
				CR30(-)	E17		J					COMPONENT LEAD	
	20 AWG		W37	CR31(+)	K12-X2		J	2 IN				BUS	
	20 AWG		W37	CR31(+)	R085-2		J	3 IN				BUS	
	20 AWG		W37	CR31(-)	K12-X1		J	2 IN				BUS	
	20 AWG		W37	CR31(-)	R082-2		J	3 IN				BUS WITH SLEEVING	
	20 AWG		W37	CR32(+)	K13-X2		J	2 IN				BUS	
	20 AWG		W37	CR32(+)	R086-2		J	3 IN				BUS	
	20 AWG		W02	CR32(-)	K13-X1		J	2 IN				BUS	
	18 AWG	WHITE	W36	CR32(-)	R083-2		J	3 IN				BUS	
	20 AWG		W37	CR33(+)	K14-X2		J	2 IN				BUS	
	18 AWG		W36	CR33(+)	R087-2		J	3 IN				BUS	
	20 AWG		W37	CR33(-)	K14-X1		J	3 IN				BUS	
	16 AWG		W04	CR33(-)	R084-2	05	J	5 IN				JUMPER	
	18 AWG	WHITE	W03	CR34(+)	R185-1		J	3 IN				JUMPER	
	18 AWG	WHITE	W03	CR35(-)	XK15-14		J	4 IN				JUMPER	
	22 AWG	WHITE	W01	CR36(+)	R194-1		J	3.5 IN				BUS	
	18 AWG		W36	CR36(-)	R185-2	05	J	3 IN				BUS	
	18 AWG	WHITE	W03	CR38(+)	R186-1	05	J	4 IN				BUS	
	22 AWG	WHITE	W01	CR39(-)	XK16-14		J	4 IN				BUS	
	22 AWG	WHITE	W01	CR40(+)	R196-1		J	3.5 IN				BUS	
	18 AWG	WHITE	W03	CR40(-)	R186-2	08	J	3 IN				BUS	
	18 AWG	WHITE	W03	CR42(+)	E20		J	4 IN				BUS	
	18 AWG	WHITE	W03	CR43(+)	E21		J	4 IN				BUS	
	22 AWG	WHITE	W01	CR43(-)	XK17-14		J	2 IN				BUS	
	22 AWG	WHITE	W01	CR44(+)	R198-1		J	3.5 IN				BUS	
	18 AWG	WHITE	W03	CR46(+)	E22		J	4 IN				BUS	
	18 AWG	WHITE	W03	CR47(+)	E23		J	4 IN				BUS	
	22 AWG	WHITE	W01	CR47(-)	XK18-14		J	2 IN				BUS	
	22 AWG	WHITE	W01	CR48(+)	R200-1		J	3.5 IN				BUS	
	18 AWG	WHITE	W03	CR50(+)	E24		J	4 IN				BUS	
	22 AWG	WHITE	W01	CR51(-)	XK19-14		J	2 IN				BUS	
	22 AWG	WHITE	W01	CR52(+)	R202-1		J	3.5 IN				BUS	
	18 AWG	WHITE	W03	CR54(+)	E26	06	J	6 IN				JUMPER	
	18 AWG	WHITE	W03	CR52(+)	E25	06	J	4 IN				JUMPER	
	18 AWG	WHITE	W07	CR55(+)	E27	06	J	6 IN				JUMPER	
	22 AWG	WHITE	W01	CR55(-)	XK20-14		J	2 IN				BUS	
	22 AWG	WHITE	W01	CR56(+)	R204-1		J	3.5 IN				BUS	

REV F

1 see table 2-1 2 see table 2-2 3 see table 2-3

FIGURE 2-31. High Voltage Power Supply Cabinet 2 (Sheet 7 of 27)

WIRE NO	SIZE	COLOR	1			2			3			REMARKS
			TYPE	FROM	TERM	GEN.	TO	TERM	GEN.	LENGTH		
2238	18 AWG	WHITE	W03	E01		J	K03-A	08		8	IN	COMPONENT LEAD
	18 AWG	WHITE	W03	E01		J	CR16(+)	01		4	IN	
	18 AWG	WHITE	W03	E01		J	K03-4	01		15	FT	
	18 AWG	WHITE	W03	E02		J	K06-5	08		3	IN	COMPONENT LEAD
	18 AWG	WHITE	W03	E02		J	K03-B			3	IN	JUMPER
	18 AWG	WHITE	W03	E02		J	CR16(-)			3	IN	COMPONENT LEAD
	18 AWG	WHITE	W03	E02		J	E04	08	J	3	IN	
	18 AWG	WHITE	W03	E03		J	K02-3	08		3	IN	COMPONENT LEAD
	18 AWG	WHITE	W03	E03		J	CR13(+)	08		3	IN	JUMPER
	18 AWG	WHITE	W03	E04		J	K02-4		J	3	IN	COMPONENT LEAD
2201	16 AWG	WHITE	W04	E04		J	E02	10		10	IN	COMPONENT LEAD
	14 AWG	WHITE	W05	E05		J	CR13(-)			10	IN	COMPONENT LEAD
	16 AWG	WHITE	W04	E05		J	K01TB1-01	12		20	FT	
	14 AWG	WHITE	W05	E05		J	RV1-1	10		12	IN	
	14 AWG	WHITE	W05	E06		J	A2 COM 2	14		4	IN	COMPONENT LEAD
	18 AWG	WHITE	W03	E06		J	K01TB1-02	08		8	IN	COMPONENT LEAD
	18 AWG	WHITE	W03	E06		J	K02-2			25	FT	
	18 AWG	WHITE	W03	E07		J	RV1-2	08		8	IN	COMPONENT LEAD
	18 AWG	WHITE	W03	E07		J	K06-7	10		8	IN	COMPONENT LEAD
	18 AWG	WHITE	W03	E07		J	RV2-1	08		25	FT	COMPONENT LEAD
2236	16 AWG	WHITE	W04	E08		J	A2TB1-11	10		8	IN	COMPONENT LEAD
	18 AWG	WHITE	W03	E08		J	K06-8	08		18	FT	
	16 AWG	WHITE	W04	E08	04	J	RV2-2		J	2	IN	BUS
	20 AWG	WHITE	W37	E09		J	E19		J	2	IN	BUS
	18 AWG	WHITE	W36	E09		J	K09-X1		J	3	IN	BUS
	20 AWG	WHITE	W37	E10		J	R176-2		J	2	IN	BUS
	18 AWG	WHITE	W36	E10		J	K09-X2		J	5	IN	BUS
	22 AWG	WHITE	W38	E11		J	R179-2	44		2	IN	COMPONENT LEAD
	18 AWG	WHITE	W03	E11		J	CR14(+)	06		10	FT	BUS
	18 AWG	WHITE	W03	E11		J	K07-L1	01	J	30	FT	COMPONENT LEAD
2177	22 AWG	WHITE	W38	E12		J	E15		J	2	IN	BUS
	18 AWG	WHITE	W03	E12		J	A2TB1-04		J	20	FT	COMPONENT LEAD
	18 AWG	WHITE	W03	E12		J	CR14(-)	01		2	IN	BUS
	22 AWG	WHITE	W38	E12		J	K07-L2		J	10	FT	COMPONENT LEAD
	18 AWG	WHITE	W03	E12		J	ATB1-01	01	J	20	FT	COMPONENT LEAD
	18 AWG	WHITE	W03	E12		J	E16		J	10	FT	COMPONENT LEAD
	18 AWG	WHITE	W03	E13		J	CR29(-)		J	2	IN	COMPONENT LEAD
	14 AWG	WHITE	W09	E13		J	K10-X1		J	3	IN	COMPONENT LEAD
	18 AWG	WHITE	W03	E14		J	R177-2		J	2	IN	COMPONENT LEAD
	18 AWG	WHITE	W03	E14		J	CR29(+)		J	3	IN	COMPONENT LEAD
2178	22 AWG	WHITE	W38	E15		J	K10-X2		J	2	IN	COMPONENT LEAD
	18 AWG	WHITE	W03	E15		J	R180-2		J	3	IN	COMPONENT LEAD
	18 AWG	WHITE	W03	E15		J	CR15(+)		J	2	IN	COMPONENT LEAD
	18 AWG	WHITE	W03	E15		J	K08-L1		J	2	IN	BUS

REV F

FIGURE 2-31. High Voltage Power Supply Cabinet 2 (Sheet 8 of 27)

1 see table 2-1

2 see table 2-2

3 see table 2-3

2	3	2	3	2	3	2	3	2	3	2	3	2	3
TERM	GEN.	TO	TERM	GEN.	TO	TERM	GEN.	TO	TERM	GEN.	TO	TERM	GEN.
J	J	E11	J	J	E11	J	J	E11	J	J	E11	J	J
J	J	CR15(-)	J	J	CR15(-)	J	J	CR15(-)	J	J	CR15(-)	J	J
J	J	K08-L2	J	J	K08-L2	J	J	K08-L2	J	J	K08-L2	J	J
J	J	E12	J	J	E12	J	J	E12	J	J	E12	J	J
J	J	CR30(-)	J	J	CR30(-)	J	J	CR30(-)	J	J	CR30(-)	J	J
J	J	K11-X1	J	J	K11-X1	J	J	K11-X1	J	J	K11-X1	J	J
J	J	R178-2	J	J	R178-2	J	J	R178-2	J	J	R178-2	J	J
J	J	CR30(+)	J	J	CR30(+)	J	J	CR30(+)	J	J	CR30(+)	J	J
J	J	K11-X2	J	J	K11-X2	J	J	K11-X2	J	J	K11-X2	J	J
J	J	R181-2	J	J	R181-2	J	J	R181-2	J	J	R181-2	J	J
J	J	E08	J	J	E08	J	J	E08	J	J	E08	J	J
J	J	A2 COM 2	J	J	A2 COM 2	J	J	A2 COM 2	J	J	A2 COM 2	J	J
J	J	CR42(+)	J	J	CR42(+)	J	J	CR42(+)	J	J	CR42(+)	J	J
J	J	T06-X1	J	J	T06-X1	J	J	T06-X1	J	J	T06-X1	J	J
J	J	CR43(+)	J	J	CR43(+)	J	J	CR43(+)	J	J	CR43(+)	J	J
J	J	T06-X2	J	J	T06-X2	J	J	T06-X2	J	J	T06-X2	J	J
J	J	CR46(+)	J	J	CR46(+)	J	J	CR46(+)	J	J	CR46(+)	J	J
J	J	T07-X1	J	J	T07-X1	J	J	T07-X1	J	J	T07-X1	J	J
J	J	CR47(+)	J	J	CR47(+)	J	J	CR47(+)	J	J	CR47(+)	J	J
J	J	T07-X2	J	J	T07-X2	J	J	T07-X2	J	J	T07-X2	J	J
J	J	CR50(+)	J	J	CR50(+)	J	J	CR50(+)	J	J	CR50(+)	J	J
J	J	T10-X1	J	J	T10-X1	J	J	T10-X1	J	J	T10-X1	J	J
J	J	CR51(+)	J	J	CR51(+)	J	J	CR51(+)	J	J	CR51(+)	J	J
J	J	T10-X2	J	J	T10-X2	J	J	T10-X2	J	J	T10-X2	J	J
J	J	CR54(+)	J	J	CR54(+)	J	J	CR54(+)	J	J	CR54(+)	J	J
J	J	T11-X1	J	J	T11-X1	J	J	T11-X1	J	J	T11-X1	J	J
J	J	CR55(+)	J	J	CR55(+)	J	J	CR55(+)	J	J	CR55(+)	J	J
J	J	T11-X2	J	J	T11-X2	J	J	T11-X2	J	J	T11-X2	J	J
J	J	K10-B1	J	J	K10-B1	J	J	K10-B1	J	J	K10-B1	J	J
J	J	K11-B1	J	J	K11-B1	J	J	K11-B1	J	J	K11-B1	J	J
J	J	K12-B1	J	J	K12-B1	J	J	K12-B1	J	J	K12-B1	J	J
J	J	K13-B1	J	J	K13-B1	J	J	K13-B1	J	J	K13-B1	J	J
J	J	K14-B1	J	J	K14-B1	J	J	K14-B1	J	J	K14-B1	J	J
J	J	K17-5	J	J	K17-5	J	J	K17-5	J	J	K17-5	J	J
J	J	K09-B1	J	J	K09-B1	J	J	K09-B1	J	J	K09-B1	J	J
J	J	R121-2	J	J	R121-2	J	J	R121-2	J	J	R121-2	J	J
J	J	R122-2	J	J	R122-2	J	J	R122-2	J	J	R122-2	J	J
J	J	R180-2	J	J	R180-2	J	J	R180-2	J	J	R180-2	J	J
J	J	R181-2	J	J	R181-2	J	J	R181-2	J	J	R181-2	J	J
J	J	R040-2	J	J	R040-2	J	J	R040-2	J	J	R040-2	J	J
J	J	R056-2	J	J	R056-2	J	J	R056-2	J	J	R056-2	J	J
J	J	R072-2	J	J	R072-2	J	J	R072-2	J	J	R072-2	J	J
J	J	T14-X2	J	J	T14-X2	J	J	T14-X2	J	J	T14-X2	J	J
J	J	T15-X1	J	J	T15-X1	J	J	T15-X1	J	J	T15-X1	J	J

D
J
J
82
81
84
83
94
93
97
96

REV F

FIGURE 2-31.

WIRE NO	SIZE	1			2			3			REMARKS
		COLOR	TYPE	FROM	TERM	GEN.	TERM	GEN.	LENGTH		
115B	20	WHITE	W02	GND	07		13		8	IN	
133B	20	WHITE	W02	GND	07		13		18	IN	
151B	16	WHITE	W04	GND	15		13		6	IN	JUMPER
171B	16	WHITE	W04	GND	15		13		6	IN	JUMPER
190B	16	WHITE	W04	GND	15		13		6	IN	JUMPER
195B	16	WHITE	W04	GND	15		13		6	IN	JUMPER
205C	16	WHITE	W04	GND	15		13		6	IN	JUMPER
206C	16	WHITE	W04	GND	15		13		6	IN	JUMPER
207C	16	WHITE	W04	GND	15		13		6	IN	JUMPER
245C	16	WHITE	W04	GND	15		13		6	IN	JUMPER
249C	16	WHITE	W04	GND	15		13		6	IN	JUMPER
251C	16	WHITE	W04	GND	15		13		6	IN	JUMPER
01B		SHIELD		GND	08	G					TIE TO SAME POINT
01B		SHIELD		GND	08	G					TIE TO SAME POINT
02B		SHIELD		GND	08	G					TIE TO SAME POINT
02B		SHIELD		GND	08	G					TIE TO SAME POINT
03B		SHIELD		GND	08	G					TIE TO SAME POINT
04B		SHIELD		GND	08	G					TIE TO SAME POINT
04B		SHIELD		GND	08	G					TIE TO SAME POINT
04B		SHIELD		GND	08	G					TIE TO SAME POINT
220	12	WHITE	W10	GND	41		10				
220	12	WHITE	W10	GND	41		10				
254	12	WHITE	W10	J1-1					20	FT	
221	12	WHITE	W10	J1-1					26	FT	
221	12	WHITE	W10	J1-2					5	FT	
255	12	WHITE	W10	J1-2					26	FT	
222	12	WHITE	W10	J2-1					26	FT	
222	12	WHITE	W10	J2-1					20	FT	
223	12	WHITE	W10	J2-2					26	FT	
223	12	WHITE	W10	J2-2					20	FT	
8	8	WHITE	W26	K01-1	58		58		17	IN	
8	8	WHITE	W26	K01-2	58		58		36	IN	
8	8	WHITE	W26	K01-2	35		58	F	16	IN	
14	14	WHITE	W46	K01-3	58		39	F	24	IN	
8	8	WHITE	W26	K01-4	58		58	F	28	IN	
8	8	WHITE	W26	K01-4	35		58	F	23	IN	
8	8	WHITE	W26	K01-5	35		39	E	25	IN	
8	8	WHITE	W26	K01-6	58		58	F	24	IN	
8	8	WHITE	W26	K01-6	35		58	F	21	IN	
											REV F

FIGURE 2-31. High Voltage Power Supply Cabinet 2 (Sheet 10 of 27)

see table 2-1 2 see table 2-2 3 see table 2-3

WIRE NO	SIZE	COLOR	TYPE	1	FROM	2	3	TO	2	3	TERM	GEN.	LENGTH	REMARKS
2228	16 AWG	WHITE	W04	K01TB1-01	10	E05	J	E05	01	J	01	J	12	IN
	18 AWG	WHITE	W03	K01TB1-08	08	K03-5	J	K03-5					2	FT
	16 AWG	WHITE	W04	K01TB1-02	10	E06	J	E06	01	J	01	J	14	IN
2226	18 AWG	WHITE	W03	K01TB1-04	01	A2TB1-06	J	A2TB1-06					20	FT
2164	18 AWG	WHITE	W03	K01TB1-07	01	XK20-12	J	XK20-12	01	J	01	J	20	FT
2227	18 AWG	WHITE	W03	K01TB1-07	01	A2TB1-02	J	A2TB1-02	41	J	41	J	20	FT
2229	14 AWG	WHITE	W05	K02-1	15	K03-1	J	K03-1					2	FT
	14 AWG	WHITE	W05	K02-2	14	E06	J	E06					4	IN
	14 AWG	WHITE	W05	K02-3	08	E03	J	E03	01	J	01	J	4	IN
2230	18 AWG	WHITE	W03	K02-3	07	K03-3	J	K03-3					2	FT
	18 AWG	WHITE	W03	K02-4	08	E04	J	E04					4	IN
	18 AWG	WHITE	W03	K02-4	08	A1TB1-01	J	A1TB1-01	01	J	01	J	18	FT
2215	18 AWG	WHITE	W03	K02-4	08	K02-1	J	K02-1	15	J	15	J	2	FT
2229	14 AWG	WHITE	W05	K03-1	41	A2CB3-2	J	A2CB3-2	13	J	13	J	20	FT
2202	14 AWG	WHITE	W05	K03-2	14	K02-3	J	K02-3	07	J	07	J	2	FT
2230	18 AWG	WHITE	W03	K03-3	01	E01	J	E01					4	IN
	18 AWG	WHITE	W03	K03-4	01	K01TB1-08	J	K01TB1-08	01	J	01	J	2	FT
2228	18 AWG	WHITE	W03	K03-5	01	A2TB1-05	J	A2TB1-05	01	J	01	J	18	FT
2232	18 AWG	WHITE	W03	K03-6	01	E01	J	E01					4	IN
	18 AWG	WHITE	W36	K03-A	08	E01	J	E01					4	IN
	18 AWG	WHITE	W03	K03-B	08	E02	J	E02					4	IN
2235	16 AWG	WHITE	W04	K03-B	10	A2TB1-01	J	A2TB1-01	10	J	10	J	18	FT
2239	18 AWG	WHITE	W03	K06-4	01	A2TB1-03	J	A2TB1-03	01	J	01	J	25	FT
2113	18 AWG	WHITE	W03	K06-5	01	K12-B2	J	K12-B2					25	FT
2238	18 AWG	WHITE	W03	K06-5	01	E01	J	E01					15	FT
	18 AWG	WHITE	W03	K06-5	01	E07	J	E07					8	IN
	16 AWG	WHITE	W04	K06-7	08	E07	J	E07					10	IN
	16 AWG	WHITE	W04	K06-8	10	E08	J	E08					27	IN
	8 AWG	WHITE	W26	K06-VAC (1)		R004-1	F	R004-1	35	F	35	F	36	IN
	8 AWG	WHITE	W26	K06-VAC (2)		R005-2	F	R005-2	16	F	16	F	15	FT
	14 AWG	WHITE	W46	K07-COM	06	L3-1	J	L3-1					2	IN
	22 AWG	WHITE	W38	K07-L1		E11	J	E11					2	IN
	22 AWG	WHITE	W38	K07-L2		E12	J	E12					2	IN
	14 AWG	WHITE	W46	K07-N0		R044-1	J	R044-1	13	J	13	J	30	IN
	14 AWG	WHITE	W46	K08-COM		L6-1	J	L6-1	16	J	16	J	2	IN
	22 AWG	WHITE	W38	K08-L1		E15	J	E15					2	IN
	22 AWG	WHITE	W38	K08-L2		E16	J	E16					2	IN
	14 AWG	WHITE	W46	K08-N0		R060-1	J	R060-1	01	J	01	J	30	IN
2152	20 AWG	WHITE	W02	K09-A2		A1TB1-02	J	A1TB1-02					12	FT
2162	20 AWG	WHITE	W02	K09-A2		XK16-12	J	XK16-12	08	J	08	J	10	FT
2153	20 AWG	WHITE	W02	K09-B1		GND	J	GND					10	IN
2154	18 AWG	WHITE	W03	K09-B2		A1TB1-09	J	A1TB1-09	01	J	01	J	12	FT
	18 AWG	WHITE	W03	K09-B2		K10-B2	J	K10-B2					25	FT
	20 AWG	WHITE	W37	K09-X1		E10	J	E10					2	IN
	20 AWG	WHITE	W37	K09-X2		E09	J	E09					2	IN
2175	20 AWG	WHITE	W02	K10-A2		XK17-12	J	XK17-12					20	FT

REV F

1 see table 2-1 2 see table 2-2 3 see table 2-3

FIGURE 2-31. High Voltage Power Supply Cabinet 2 (Sheet 11 of 27)

WIRE NO	SIZE	COLOR	TYPE	1 FROM	2 TERM	3 GEN.	TO	2 TERM	GEN.	LENGTH	REMARKS
2191	20 AWG	WHITE	W02	K10-A2		J	K11-A2		J	12 FT	
	20 AWG	WHITE	W02	K10-B1		J	GND	05	J	2 FT	
2154	18 AWG	WHITE	W03	K10-B2		J	K09-B2		J	25 FT	
2180	18 AWG	WHITE	W03	K10-B2 COM		J	XK18-09		J	18 FT	
	18 AWG	WHITE	W03	K10-X1		J	E13		J	2 IN	
	18 AWG	WHITE	W03	K10-X2		J	E14		J	2 IN	
2191	20 AWG	WHITE	W02	K11-A2		J	K10-A2		J	12 FT	
2200	20 AWG	WHITE	W02	K11-A2		J	A1TB1-02	01	J	20 FT	
	20 AWG	WHITE	W02	K11-B1		J	GND	05	J	24 IN	
2150	18 AWG	WHITE	W03	K11-B2		J	K14-B2		J	35 FT	
2192	18 AWG	WHITE	W03	K11-B2		J	XK20-09		J	20 FT	
	18 AWG	WHITE	W03	K11-X1		J	E17		J	3 IN	
	18 AWG	WHITE	W03	K11-X2		J	E18		J	3 IN	
2112	20 AWG	WHITE	W02	K12-A2		J	K13-A2		J	8 FT	JUMPER
	20 AWG	WHITE	W02	K12-B1		J	GND	01	J	12 IN	
2113	18 AWG	WHITE	W03	K12-B2		J	K06-5		J	25 FT	
2114	18 AWG	WHITE	W03	K12-B2		J	K13-B2		J	8 FT	
	20 AWG	WHITE	W37	K12-X1		J	CR31(-)		J	2 IN	BUS
	20 AWG	WHITE	W37	K12-X2		J	CR31(+)		J	2 IN	BUS
2112	20 AWG	WHITE	W02	K13-A2		J	K12-A2		J	8 FT	
2131	20 AWG	WHITE	W02	K13-A2		J	K14-A2		J	8 FT	
	20 AWG	WHITE	W02	K13-B1		J	GND	05	J	12 IN	
2114	18 AWG	WHITE	W03	K13-B2		J	K12-B2		J	8 FT	
2132	18 AWG	WHITE	W03	K13-B2		J	K14-B2		J	8 FT	
	20 AWG	WHITE	W02	K13-X1		J	CR32(-)		J	2 IN	BUS
	20 AWG	WHITE	W37	K13-X2		J	CR32(+)		J	2 IN	BUS
2131	20 AWG	WHITE	W02	K14-A2		J	K13-A2		J	8 FT	
2149	20 AWG	WHITE	W02	K14-A2		J	XK15-12		J	25 FT	
	20 AWG	WHITE	W02	K14-B1		J	GND		J	12 IN	
2132	18 AWG	WHITE	W03	K14-B2		J	K13-B2		J	8 FT	
2150	18 AWG	WHITE	W03	K14-B2		J	K11-B2		J	8 FT	
	20 AWG	WHITE	W37	K14-X1		J	CR33(-)		J	35 FT	BUS
	20 AWG	WHITE	W37	K14-X2		J	CR33(+)		J	3 IN	BUS
	20 AWG	WHITE	W02	K16-5		J	XK15-05		J	2 IN	
	20 AWG	WHITE	W02	K17-5		J	K18-5	05	J	6 IN	
	20 AWG	WHITE	W02	K17-5		J	GND		J	6 IN	
	20 AWG	WHITE	W02	K18-5		J	K17-5		J	36 IN	
	8 AWG	WHITE	W26	L1-1		J	CR03(+)	35	J	6 IN	
	8 AWG	WHITE	W26	L1-2		F	R004-1	35	F	72 IN	
	8 AWG	WHITE	W26	L1-2		F	R038-1	35	F	100 IN	
2110	18 AWG	WHITE	W07	L2-1		F	CR21(+)	31	F	9 FT	
2106	18 AWG	WHITE	W07	L2-2		F	C12-1	03	F	4 FT	
2108	18 AWG	WHITE	W07	L2-2		F	R088-1		J	8 FT	
	14 AWG	WHITE	W46	L3-1			K07-COM			15 FT	

REV F

¹ see table 2-1

² see table 2-2

³ see table 2-3

FIGURE 2-31. High Voltage Power Supply Cabinet 2 (Sheet 12 of 27)

WIRE NO	SIZE	COLOR	TYPE	1 FROM	2 TERM	3 GEN.	TO	2 TERM	3 GEN.	LENGTH	REMARKS
	14 AWG	WHITE	W46	L3-1	16		R044-2	16		15 FT	
	14 AWG	WHITE	W46	L3-2	16		L4-1	16		13 IN	
	14 AWG	WHITE	W46	L3-2			R045-1			17 IN	MUST BE 17 LONG
	14 AWG	WHITE	W46	L4-1	16		L3-2	16		13 IN	
	14 AWG	WHITE	W46	L4-2	16		R047-1			17 IN	MUST BE 17 LONG
2124	18 AWG	WHITE	W07	L5-1	07	J	CR24(+)	03	J	8 FT	
2122	18 AWG	WHITE	W07	L5-2	07	J	C19-1		J	4 FT	
2126	18 AWG	WHITE	W07	L5-2	07	J	R100-1		J	8 FT	
	14 AWG	WHITE	W46	L6-1	16		K08-COM	16		2 IN	
	14 AWG	WHITE	W46	L6-1	16		R060-2	16		15 IN	
	14 AWG	WHITE	W46	L6-2	16		L7-1	16		13 IN	
	14 AWG	WHITE	W46	L6-2	16		R062-1	16	J	17 IN	MUST BE 17 LONG
	14 AWG	WHITE	W46	L7-1	16		L6-2	16		13 IN	
	14 AWG	WHITE	W46	L7-2	16		R064-1	16	J	17 IN	MUST BE 17 LONG
2142	14 AWG	WHITE	W46	L7-2	16	J	CR27(+)	03	J	8 FT	
2137	14 AWG	WHITE	W09	L8-1	15		C25-1	03	J	4 FT	
2144	18 AWG	WHITE	W07	L8-2	07		R104-1	08	J	8 FT	
2115B	18 AWG	WHITE	W07	L8-2	08		GND	08	G		
2133B		SHIELD		OPEN			GND	08	G		
2151B		SHIELD		OPEN			GND	08	G		
2171B		SHIELD		OPEN			GND	08			SAME POINT
2190B		SHIELD		OPEN			GND	08			
2195B		SHIELD		OPEN			GND	08			
2206C		SHIELD		OPEN			GND	13			
2207C		SHIELD		OPEN			GND	13			
2208C		SHIELD		OPEN			A2S1-1B	15			
2209C		SHIELD		OPEN			A2S2-3T	15			
2210C		SHIELD		OPEN			A2S1-1B	15			
2211C		SHIELD		OPEN			A2S1-3T	15			
2212C		SHIELD		OPEN			A2S1-5T	15			
2213C		SHIELD		OPEN			A2S4-2T	15			
2248C		SHIELD		OPEN			A2S1-1T	15			
2249C		SHIELD		OPEN			GND	41			
2250C		SHIELD		OPEN			A2S2-1T	15			
2251C		SHIELD		OPEN			GND	41			
	RG223	SHIELD		P1			R179-2	05		12 FT	
	8 AWG	WHITE	W44	P1-1		J	R179-1	13		8 FT	
	8 AWG	WHITE	W26	R001-1	35	F	CR04(+)	35	F	94 IN	
	8 AWG	WHITE	W26	R001-1	35	F	T01-R1	35	F	9 IN	
	8 AWG	WHITE	W26	R001-2	35	F	C01-1	35	F	7 FT	
	8 AWG	WHITE	W26	R002-1	35	F	CR05(+)	35	F	42 IN	
	8 AWG	WHITE	W26	R002-1	35	F	T01-R2	35	F	9 IN	
	8 AWG	WHITE	W26	R002-2	35	F	C02-1	35	F	6 FT	
	8 AWG	WHITE	W26	R003-1	35	F	CR06(+)	35	F		

REV F

¹ see table 2-1 ² see table 2-2 ³ see table 2-3

FIGURE 2-31. High Voltage Power Supply Cabinet 2 (Sheet 13 of 27)

WIRE NO	SIZE	COLOR	1 TYPE	FROM	2 TERM	3 GEN.	TO	2 TERM	3 GEN.	LENGTH	REMARKS
	16 AWG		W35	R029-2		J-U	R027-2		J	5	BUS WITH SLEEVING
	16 AWG		W35	R029-2		J-U	R028-2		J	10	BUS WITH SLEEVING
	16 AWG		W35	R030-1		J-U	R032-1		J-U	5	BUS WITH SLEEVING
	16 AWG		W35	R030-1		J-U	R028-1		J	5	BUS WITH SLEEVING
	16 AWG		W35	R030-2		J	R032-2		J-U	5	BUS WITH SLEEVING
	16 AWG		W35	R031-2		J	R032-1		J-U	11	BUS WITH SLEEVING
	16 AWG		W35	R031-2		J	R032-2		J-U	11	BUS WITH SLEEVING
	16 AWG		W35	R031-2		J	R033-2		J-U	5	BUS WITH SLEEVING
	16 AWG		W35	R032-1		J	R030-1		J	5	BUS WITH SLEEVING
	16 AWG		W35	R032-1		J-U	R031-2		J	11	BUS WITH SLEEVING
	16 AWG		W35	R032-2		J-U	R030-2		J	5	BUS WITH SLEEVING
	16 AWG		W35	R032-2		J-U	R031-2		J	11	BUS WITH SLEEVING
	16 AWG		W35	R033-1		J	R035-1		J	5	BUS WITH SLEEVING
	16 AWG		W35	R033-2		J	R035-2		J-U	5	BUS WITH SLEEVING
	16 AWG		W35	R033-2		J	R031-2		J-U	5	BUS WITH SLEEVING
	16 AWG		W35	R034-1		J-U	R035-1		J	5	BUS WITH SLEEVING
	16 AWG		W35	R034-2		J	R035-2		J-U	10	BUS WITH SLEEVING
	16 AWG		W35	R034-2		J	R035-2		J-U	10	BUS WITH SLEEVING
	14 AWG	WHITE	W09	R034-2		J	C10-2		J	4	FT
	16 AWG		W35	R035-1		J-U	R033-1		J	5	BUS WITH SLEEVING
	16 AWG		W35	R035-1		J-U	R034-1		J	10	IN
	16 AWG		W35	R035-2		J-U	R033-2		J	5	IN
	16 AWG		W35	R035-2		J-U	R034-2		J	10	IN
	8 AWG		W26	R038-1		F	L1-2		F	100	IN
	8 AWG		W26	R038-2		F	R039-1		F	10	IN
	8 AWG		W26	R039-1		F	R038-2		F	10	IN
	8 AWG		W26	R039-2		F	S2-1		F	73	IN
	18 AWG		W17	R040-1		J	A2S3-1B		J	20	FT
	18 AWG		W07	R040-2		J	GND		J	7	IN
	14 AWG		W46	R041-1		J	CR07(AC)		J	3	FT
	14 AWG		W46	R041-1		J	T06-H2		J	4	IN
	16 AWG		W04	R041-2		J	C14-1		J	2	FT
	14 AWG		W46	R042-1		J	CR08(AC)		J	4	FT
	14 AWG		W46	R042-1		J	T05-R2		J	66	IN
	16 AWG		W04	R042-2		J	C15-1		J	2	FT
	14 AWG		W46	R043-1		J	CR09(AC)		J	5	FT
	14 AWG		W46	R043-1		J	T07-H2		J	4	IN
	16 AWG		W04	R043-2		J	C16-1		J	2	FT
	14 AWG		W46	R044-1		J	CR07(+)		J	7	FT
	14 AWG		W46	R044-1		J	K07-NO		J	30	IN
	14 AWG		W46	R044-2		J	L3-1		J	15	FT
	14 AWG		W34	R045-1		J	R046-1		J	5	IN
	14 AWG		W46	R045-1		J	L3-2		J	17	IN
	14 AWG		W34	R045-2		J	R046-2		J	5	IN
	14 AWG		W34	R046-1		J	R045-1		J	5	IN

¹ see table 2-1 ² see table 2-2 ³ see table 2-3

REV F

FIGURE 2-31. High Voltage Power Supply Cabinet 2 (Sheet 15 of 27)

WIRE NO	SIZE	COLOR	TYPE	FROM	TO	1	2	3	TERM	GEN.	2	3	LENGTH	REMARKS
14	14	WHITE	W46	R046-2	C17-1	J			25	J			11	IN
14	14	WHITE	W34	R046-2	R045-2	J				J			5	BUS
14	14	WHITE	W34	R047-1	R048-1	J				J			5	BUS
14	14	WHITE	W46	R047-1	L4-2	J			16	J			17	MUST BE 17 IN LONG
14	14	WHITE	W34	R047-2	R048-2	J				J			5	BUS
14	14	WHITE	W34	R048-1	R050-1	J				J			5	BUS
14	14	WHITE	W34	R048-2	R047-1	J			50	J			5	BUS
14	14	WHITE	W46	R048-2	C18-1	J				J			12	IN
14	14	WHITE	W34	R048-2	R047-2	J				J			5	BUS
14	14	WHITE	W34	R049-1	R050-1	J				J			5	BUS
14	14	WHITE	W34	R049-1	R055-1	J				J			8	IN
14	14	WHITE	W34	R049-2	R051-1	J				J			5	BUS
14	14	WHITE	W34	R050-1	R048-1	J				J			5	BUS
14	14	WHITE	W34	R050-2	R049-1	J				J			5	BUS
14	14	WHITE	W34	R051-1	R052-1	J				J			5	BUS
14	14	WHITE	W34	R051-1	R052-1	J				J			5	BUS
14	14	WHITE	W34	R051-2	R049-2	J				J			5	BUS
14	14	WHITE	W34	R052-1	R053-1	J				J			5	BUS
14	14	WHITE	W34	R052-1	R050-2	J				J			5	BUS
14	14	WHITE	W34	R052-2	R051-1	J				J			5	BUS
14	14	WHITE	W34	R053-1	R054-1	J				J			5	BUS
14	14	WHITE	W34	R053-1	R051-2	J				J			5	BUS
14	14	WHITE	W34	R053-2	R054-2	J				J			5	BUS
14	14	WHITE	W09	R053-2	R054-1	J			11	J			17	IN
14	14	WHITE	W34	R054-1	R052-2	J				J			5	BUS
14	14	WHITE	W34	R054-1	R053-1	J				J			5	BUS
14	14	WHITE	W34	R054-2	R177-1	J				J			7	IN
14	14	WHITE	W34	R054-2	R053-2	J				J			5	BUS
14	14	WHITE	W34	R055-1	R049-1	J				J			8	IN
14	14	WHITE	W46	R055-2	S2-2	J			16	J			75	IN
18	18	WHITE	W17	R056-1	A2S3-2B	J			06	J			20	FT
16	16	WHITE	W04	R056-2	GND	J				J			7	IN
14	14	WHITE	W46	R057-1	T10-H2	J			16	J			4	IN
14	14	WHITE	W46	R057-1	CR10(AC)	J			16	J			30	IN
14	14	WHITE	W05	R057-2	C20-1	J			12	J			5	IN
14	14	WHITE	W46	R058-1	CR11(AC)	J			16	J			44	IN
14	14	WHITE	W46	R058-1	T09-R2	J			16	J			80	IN
14	14	WHITE	W05	R058-2	C21-1	J			12	J			5	IN
14	14	WHITE	W46	R059-1	T11-H2	J			16	J			4	IN
14	14	WHITE	W46	R059-1	CR12(AC)	J			16	J			58	IN
14	14	WHITE	W05	R059-2	C22-1	J			12	J			5	IN
14	14	WHITE	W46	R060-1	K08-NO	J				J			30	IN
14	14	WHITE	W46	R060-1	CR10(+)	J			16	J			7	IN

REV F

FIGURE 2-31. High Voltage Power Supply Cabinet 2 (Sheet 16 of 27)

1 see table 2-1 2 see table 2-2 3 see table 2-3

TERM ²	GEN. ³	TO	TERM ²	GEN. ³	LENGTH
16	J	L6-1	16	J	15 IN
	J	R062-1		J	5 IN
	J	R062-2	50	J	5 IN
	J	C23-1	16	J	16 IN
	J	L6-2		J	17 IN
	J	R061-1		J	5 IN
	J	R061-2		J	5 IN
	J	R064-1		J	5 IN
	J	R065-1		J	5 IN
	J	R064-2		J	5 IN
	J	C24-1	50	J	12 IN
	J	L7-2	16	J	17 IN
	J	R063-1		J	5 IN
	J	R063-2		J	5 IN
	J	R066-1		J	5 IN
	J	R063-1		J	5 IN
	J	R067-1		J	5 IN
	J	R071-1		J	5 IN
	J	R065-1		J	5 IN
	J	R068-2		J	5 IN
	J	R068-1		J	5 IN
	J	R065-2		J	5 IN
	J	R069-1		J	5 IN
	J	R070-1		J	5 IN
	J	R066-2		J	5 IN
	J	R070-1		J	5 IN
	J	R067-2		J	5 IN
	J	R070-2		J	5 IN
	J	C23-2	11	J	16 IN
	J	R068-2		J	5 IN
	J	R069-1		J	5 IN
	J	R178-1		J	7 IN
	J	R069-2		J	5 IN
	J	R066-1		J	5 IN
	J	S2-3	16	J	63 IN
	J	A2S3-3B	06	J	20 FT
	J	GND	15	J	5 IN
	J	R085-1		J	5 IN
	J	CR31(-)		J	3 IN
	J	R082-3 SLIDER		J	1 IN
	J	R082-2 WPR		J	1 IN
	J	R086-1	01	J	5 IN
	J	CR32(-)		J	3 IN
	J	R083-3 SLIDER		J	1 IN

WITH SLEEVING
WITH SLEEVING

REV F

FIGURE 2-31.

WIRE NO	SIZE	COLOR	TYPE	FROM	TERM ² GEN. ³	TO	TERM ² GEN. ³	LENGTH	REMARKS
	18 AWG		W36	R098-1	J	R099-1	J-V	5	BUS WITH SLEEVING
	18 AWG		W36	R098-1	J-V	R096-2	J	5	BUS WITH SLEEVING
	18 AWG		W36	R098-2	J	R099-2	J-V	5	BUS WITH SLEEVING
	18 AWG		W36	R099-1	J-V	R097-2	J	10	BUS WITH SLEEVING
	18 AWG		W36	R099-1	J-V	R098-1	J	5	BUS WITH SLEEVING
	18 AWG		W36	R099-2	J-V	R098-2	J	5	BUS WITH SLEEVING
2103	18 AWG	WHITE	W07	R099-2	J	R173-1	J	8	BUS WITH SLEEVING
2109	18 AWG	WHITE	W07	R099-2	J	C12-2	03	9	FT
	14 AWG		W34	R100-1	J	R101-1	J	5	BUS
2126	18 AWG	WHITE	W07	R100-1	J	L5-2	07	8	FT
	14 AWG		W34	R100-2	J	R101-2	J	5	BUS
	14 AWG		W34	R101-1	J	R100-1	J	5	BUS
	14 AWG		W34	R101-2	J	R102-1	J	12	BUS
	14 AWG		W34	R101-2	J	R100-2	J	5	BUS
	14 AWG		W34	R102-1	J	R103-1	J	5	BUS
	14 AWG		W34	R102-1	J	R101-2	J	12	BUS
	14 AWG		W34	R102-2	J	R103-2	J	5	BUS
2128	18 AWG	WHITE	W07	R102-2	J	R174-1	J	8	FT
	14 AWG		W34	R103-1	J	R102-1	J	5	BUS
	14 AWG		W34	R103-2	J	R102-2	J	5	BUS
2127	18 AWG	WHITE	W07	R103-2	J	C19-2	03	8	FT
	18 AWG		W36	R104-1	J	R105-1	J-V	5	BUS WITH SLEEVING
2144	18 AWG	WHITE	W07	R104-1	J	L8-2	08	8	FT
	18 AWG		W36	R104-2	J	R105-2	J-V	5	BUS WITH SLEEVING
	18 AWG		W36	R105-1	J-V	R104-1	J	5	BUS WITH SLEEVING
	18 AWG		W36	R105-2	J	R106-1	J-V	12	BUS WITH SLEEVING
	18 AWG		W36	R105-2	J-V	R104-2	J	5	BUS WITH SLEEVING
	18 AWG		W36	R106-1	J	R107-1	J-V	5	BUS WITH SLEEVING
	18 AWG		W36	R106-1	J-V	R105-2	J	12	BUS WITH SLEEVING
	18 AWG		W36	R106-2	J	R107-2	J-V	5	BUS WITH SLEEVING
2146	18 AWG	WHITE	W07	R106-2	J	R175-1	J	4	FT
	18 AWG		W36	R107-1	J-V	R106-1	J	5	BUS WITH SLEEVING
	18 AWG		W36	R107-2	J-V	R106-2	J	5	BUS WITH SLEEVING
2145	18 AWG	WHITE	W07	R107-2	J	C25-2	J	8	FT
2104	18 AWG	WHITE	W07	R108-1	J	S2-4	04	4	FT
2130	18 AWG	WHITE	W07	R112-1	J	S2-5	04	4	FT
2167	18 AWG	WHITE	W07	R116-1	J	S2-6	04	9	FT
2115A	18 AWG	WHITE	W17	R120-1	J	A253-5B	08	15	FT
2133A	18 AWG	WHITE	W17	R121-1	J	A253-6B	08	15	FT
	18 AWG		W07	R121-2	J	GND	05	3	IN
2151A	18 AWG	WHITE	W17	R122-1	J	A253-7B	08	15	FT
	18 AWG		W07	R122-2	J	GND	06	5	IN
	14 AWG		W46	R123-1	J	S2-1	18	20	IN
	14 AWG		W46	R143-1	J	S2-2	18	52	IN

REV F

¹ see table 2-1 ² see table 2-2 ³ see table 2-3

WIRE NO	SIZE	COLOR	TYPE	FROM	TERM ² G EN.	TO	TERM ² GEN.	LENGTH	REMARKS
	18 AWG		W36	R098-1	J	R099-1	J-V	5	BUS WITH SLEEVING
	18 AWG		W36	R098-1	J-V	R096-2	J	5	BUS WITH SLEEVING
	18 AWG		W36	R098-2	J	R099-2	J-V	5	BUS WITH SLEEVING
	18 AWG		W36	R099-1	J-V	R097-2	J	10	BUS WITH SLEEVING
	18 AWG		W36	R099-1	J-V	R098-1	J	5	BUS WITH SLEEVING
	18 AWG		W36	R099-2	J-V	R098-2	J	5	BUS WITH SLEEVING
2103	18 AWG	WHITE	W07	R099-2	J	R173-1	J	8	BUS WITH SLEEVING
2109	18 AWG	WHITE	W07	R099-2	J	C12-2	J	9	
	14 AWG	WHITE	W34	R100-1	J	R101-1	J	5	BUS
2126	18 AWG	WHITE	W07	R100-1	J	L5-2	J	8	
	14 AWG		W34	R100-2	J	R101-2	J	5	BUS
	14 AWG		W34	R101-1	J	R100-1	J	5	BUS
	14 AWG		W34	R101-2	J	R102-1	J	12	BUS
	14 AWG		W34	R101-2	J	R100-2	J	5	BUS
	14 AWG		W34	R102-1	J	R103-1	J	5	BUS
	14 AWG		W34	R102-1	J	R101-2	J	12	BUS
	14 AWG		W34	R102-2	J	R103-2	J	5	BUS
2128	18 AWG	WHITE	W07	R102-2	J	R174-1	J	8	
	14 AWG		W34	R103-1	J	R102-1	J	5	BUS
	14 AWG		W34	R103-2	J	R102-2	J	5	BUS
2127	18 AWG	WHITE	W07	R103-2	J	C19-2	J	8	
	18 AWG		W36	R104-1	J	R105-1	J-V	5	BUS WITH SLEEVING
2144	18 AWG	WHITE	W07	R104-1	J	L8-2	J	8	
	18 AWG		W36	R104-2	J	R105-2	J-V	5	BUS WITH SLEEVING
	18 AWG		W36	R105-1	J-V	R104-1	J	5	BUS WITH SLEEVING
	18 AWG		W36	R105-2	J	R106-1	J-V	12	BUS WITH SLEEVING
	18 AWG		W36	R105-2	J	R104-2	J	5	BUS WITH SLEEVING
	18 AWG		W36	R106-1	J	R107-1	J-V	5	BUS WITH SLEEVING
	18 AWG		W36	R106-1	J	R105-2	J	12	BUS WITH SLEEVING
	18 AWG		W36	R106-2	J	R107-2	J-V	5	BUS WITH SLEEVING
2146	18 AWG	WHITE	W07	R106-2	J	R107-2	J	4	
	18 AWG		W36	R107-1	J	R175-1	J	5	BUS WITH SLEEVING
	18 AWG		W36	R107-2	J-V	R106-1	J	5	BUS WITH SLEEVING
	18 AWG		W07	R107-2	J	R106-2	J	8	BUS WITH SLEEVING
2145	18 AWG	WHITE	W07	R107-2	J	C25-2	J	4	
2104	18 AWG	WHITE	W07	R108-1	J	S2-4	J	4	
2130	18 AWG	WHITE	W07	R112-1	J	S2-5	J	4	
2167	18 AWG	WHITE	W07	R116-1	J	S2-6	J	9	
2115A	18 AWG	WHITE	W17	R120-1	J	A2S3-5B	J	15	
2133A	18 AWG	WHITE	W17	R121-1	J	A2S3-6B	J	15	
	18 AWG	WHITE	W07	R121-2	J	GND	J	3	
2151A	18 AWG	WHITE	W17	R122-1	J	A2S3-7B	J	15	
	18 AWG	WHITE	W07	R122-2	J	GND	J	5	
	14 AWG	WHITE	W46	R123-1	J	S2-1	J	20	
	14 AWG	WHITE	W46	R143-1	J	S2-2	J	52	

REV F

1 see table 2-1 2 see table 2-2 3 see table 2-3

FIGURE 2-31. High Voltage Power Supply Cabinet 2 (Sheet 19 of 27)

WIRE NO	SIZE	COLOR	TYPE	FROM	TERM ²	GEN. ³	TO	TERM ²	GEN. ³	LENGTH	REMARKS
	14 AWG	WHITE	W46	R158-1		J	S2-3	18		52	IN
	16 AWG	WHITE	W04	R173-1	13	J	C32(-)	13		6	IN
2103	18 AWG	WHITE	W07	R173-1		J	R099-2	13		8	FT
	16 AWG	WHITE	W04	R174-1		J	C33(-)	13		6	IN
2128	18 AWG	WHITE	W07	R174-1		J	R102-2	13		8	FT
	16 AWG	WHITE	W04	R175-1		J	C34(-)	13		6	IN
2146	18 AWG	WHITE	W07	R175-1		J	R106-2	44		4	FT
	18 AWG		W36	R176-1		J	R179-1	44		5	IN
	18 AWG		W36	R176-2		J	E09			3	IN
	18 AWG		W36	R176-2		J	R176-3 WPR			1	IN
	18 AWG		W36	R176-3(WPR)		J	R176-2			1	IN
	14 AWG		W34	R176-3(WPR)		J	R177-2			2	IN
	14 AWG		W34	R177-1		J	R180-1	38		7	IN
	14 AWG		W34	R177-1		J	R054-2			7	IN
	14 AWG	WHITE	W09	R177-2		J	E13			3	IN
	14 AWG		W34	R177-2		J	R177-3 WPR			2	IN
	14 AWG		W34	R178-1		J	R181-1	38		8	IN
	14 AWG		W34	R178-1		J	R070-2			5	IN
	18 AWG		W36	R178-2		J	E17			3	IN
	14 AWG		W34	R178-2		J	R178-3 WPR			1	IN
	14 AWG		W34	R178-3(WPR)		J	R178-2			1	IN
	18 AWG		W36	R179-1	44	J	R176-1			5	IN
	RG 223		W44	R179-1	13	J	P1-1			12	FT
	18 AWG	SHIELD	W36	R179-2	05	J	P1			5	IN
	14 AWG		W34	R179-2	44	J	E10			7	IN
	18 AWG		W03	R180-1	38	J	R177-1			3	IN
	14 AWG	WHITE	W03	R180-2		J	E14			7	IN
	14 AWG	WHITE	W03	R180-2	13		GND	13		8	IN
	18 AWG		W34	R181-1	38	J	R178-1			3	IN
	14 AWG		W36	R181-2	44	J	E18			3	IN
	18 AWG	WHITE	W05	R181-2	13	J	GND	13		3	IN
	16 AWG	WHITE	W04	R182-1	44	J	R085-2			3	IN
	18 AWG		W36	R182-1	13	J	C32(+)	13		3	IN
	16 AWG	WHITE	W04	R182-1	44	J	R086-2			3	IN
	18 AWG		W36	R183-1	13	J	C33(+)	13		3	IN
	16 AWG	WHITE	W04	R183-2	44	J	R087-2			3	IN
	18 AWG		W36	R184-1	13	J	C34(+)	13		3	IN
	16 AWG	WHITE	W04	R184-2	05	J	CR34(+)			3	IN
	18 AWG	WHITE	W03	R185-1	13	J	T02-X1	14		6	FT
2155	14 AWG	WHITE	W05	R185-1	13	J	CR36(-)	14		3	IN
	18 AWG		W36	R185-2	05	J	T02-X2	14		6	FT
2156	14 AWG	WHITE	W05	R185-2	13	J	CR38(+)	13		4	IN
	18 AWG	WHITE	W03	R186-1	05	J	T03-X1	13		4	FT
2160	14 AWG	WHITE	W05	R186-1	13	J	CR40(-)	13		3	IN
	18 AWG	WHITE	W03	R186-2	08	J				3	IN

REV F

1 see table 2-1 2 see table 2-2 3 see table 2-3

FIGURE 2-31. High Voltage Power Supply Cabinet 2 (Sheet 20 of 27)

WIRE NO	SIZE	COLOR	TYPE	FROM	ERM ² GEN. ³	TO	TERM ²	GEN. ³	LENGTH	REMARKS
2161	14 AWG	WHITE	W05	R186-2		T03-X2	13		4 FT	TWIST WITH 2160
	18 AWG	WHITE	W03	R191-2	J	XK21-13			10 IN	
2234	16 AWG	WHITE	W04	R191-2	J	A2CB8-2	13		6 FT	
	18 AWG	WHITE	W36	R191-1	J	R192-2		J	4 IN	BUS
	18 AWG	WHITE	W03	R191-1	J	XK21-14	14		10 IN	
	16 AWG	WHITE	W04	R192-1	J	XHR1-HOT			2 FT	
	18 AWG	WHITE	W36	R192-2	J	R191-1		J	4 IN	BUS
	22 AWG	WHITE	W01	R194-1	J	R194-3	08	J	2 IN	JUMPER
	22 AWG	WHITE	W01	R194-1	J	CR36(+)			3.5 IN	
	22 AWG	WHITE	W01	R194-2	J	XK15-13			2 IN	
	22 AWG	WHITE	W01	R194-3	J	R194-1		J	2 IN	JUMPER
	22 AWG	WHITE	W01	R196-1	J	R196-3	08	J	2 IN	JUMPER
	22 AWG	WHITE	W01	R196-1	J	CR40(+)			3.5 IN	
	22 AWG	WHITE	W01	R196-2	J	XK16-13			2 IN	
	22 AWG	WHITE	W01	R196-3	J	R196-1		J	2 IN	JUMPER
	22 AWG	WHITE	W01	R198-1	J	R198-3	08	J	2 IN	JUMPER
	22 AWG	WHITE	W01	R198-1	J	CR44(+)			3.5 IN	
	22 AWG	WHITE	W01	R198-2	J	XK17-13			2 IN	
	22 AWG	WHITE	W01	R198-3	J	R198-1		J	2 IN	JUMPER
	22 AWG	WHITE	W01	R200-1	J	R200-3	08	J	2 IN	JUMPER
	22 AWG	WHITE	W01	R200-1	J	CR48(+)			3.5 IN	
	22 AWG	WHITE	W01	R200-2	J	XK18-13			2 IN	
	22 AWG	WHITE	W01	R200-3	J	R200-1		J	2 IN	JUMPER
	22 AWG	WHITE	W01	R202-1	J	R202-3	08	J	2 IN	JUMPER
	22 AWG	WHITE	W01	R202-1	J	CR52(+)			3.5 IN	
	22 AWG	WHITE	W01	R202-2	J	XK19-13			2 IN	
	22 AWG	WHITE	W01	R202-3	J	R202-1		J	2 IN	JUMPER
	22 AWG	WHITE	W01	R204-1	J	R204-3	08	J	2 IN	JUMPER
	22 AWG	WHITE	W01	R204-1	J	CR56(+)			3.5 IN	
	22 AWG	WHITE	W01	R204-2	J	XK20-13			2 IN	
	22 AWG	WHITE	W01	R204-3	J	R204-1		J	2 IN	JUMPER
	8 AWG	WHITE	W26	RV05-1	F	K01-2	58	F	36 IN	
	8 AWG	WHITE	W26	RV05-1	F	T01-H1A	35	F	44 IN	
	8 AWG	WHITE	W26	RV06-1	F	K01-4	58	F	28 IN	
	8 AWG	WHITE	W26	RV06-1	F	T01-H2A	35	F	28 IN	
	8 AWG	WHITE	W26	RV07-1	F	K01-6	58	F	24 IN	
	8 AWG	WHITE	W26	RV07-1	F	T01-H3A	35	F	20 IN	
	8 AWG	WHITE	W26	RV08-1	F	K01-2	35	F	16 IN	
	8 AWG	WHITE	W26	RV08-1	F	RV09-1	58	F	16 IN	
	8 AWG	WHITE	W26	RV08-2	F	RV10-1	58	F	26 IN	
	8 AWG	WHITE	W26	RV09-1	F	RV08-1	58	F	16 IN	
	8 AWG	WHITE	W26	RV09-2	F	RV10-2	58	F	26 IN	
				RV1-1		E05				COMPONENT LEAD
				RV1-2		E06				COMPONENT LEAD

REV F

¹ see table 2-1 ² see table 2-2 ³ see table 2-3

FIGURE 2-31. High Voltage Power Supply Cabinet 2 (Sheet 21 of 27)

WIRE NO	SIZE	COLOR	TYPE	FROM	TERM 2	GEN. 3	TO	TERM 2	GEN. 3	LENGTH	REMARKS
	8 AWG	WHITE	W26	RV10-1	58	F	K01-6	35	F	21	IN
	8 AWG	WHITE	W26	RV10-1	58	F	RV08-2	58	F	26	IN
	8 AWG	WHITE	W26	RV10-2	58	F	K01-4	35	F	23	IN
				RV2-1		J	E07		J		COMPONENT LEAD
				RV2-2		J	E08		J		COMPONENT LEAD
				RV3-2		F	T15-X2		F		COMPONENT LEAD-NO LUGS-NO SLDR
				RV4-1		F	T14-X1		F		COMPONENT LEAD-NO LUGS-NO SLDR
				RV4-2		F	T14-X2		F		COMPONENT LEAD-NO LUGS-NO SLDR
2267	8 AWG	WHITE	W26	RV5-1	58	F	T09-H1	35	F	261	IN
2268	8 AWG	WHITE	W26	RV6-1	58	F	T09-H2	35	F	252	IN
2269	8 AWG	WHITE	W26	RV7-1	58	F	T09-H3	35	F	248	IN
2240	18 AWG	WHITE	W03	S1-COM		J	S4-NO		J	4	FT
2242	20 AWG	WHITE	W02	S1-NC		J	S2S1-NC		J	15	FT
2241	18 AWG	WHITE	W03	S1-NO		J	S2S1-COM		J	15	FT
	8 AWG	WHITE	W26	S2-1	35	E	R039-2	48	E	73	IN
	14 AWG	WHITE	W46	S2-1	18	F	R123-1	19	J	20	IN
	14 AWG	WHITE	W46	S2-2	16	F	R055-2	19	J	75	IN
	14 AWG	WHITE	W46	S2-2	18	F	R143-1	19	J	52	IN
	14 AWG	WHITE	W46	S2-3	16	F	R071-2		J	63	IN
	14 AWG	WHITE	W46	S2-3	18	F	R158-1		J	52	IN
2104	18 AWG	WHITE	W07	S2-4	04	F	R108-1	11	J	4	FT
2107	14 AWG	WHITE	W09	S2-4	12	F	C12-1	11	J	4	FT
2123	14 AWG	WHITE	W09	S2-5	12	F	C19-1	11	J	8	FT
2130	18 AWG	WHITE	W07	S2-5	04	F	R112-1	11	J	4	FT
2138	14 AWG	WHITE	W09	S2-6	12	F	C25-1	11	J	10	FT
2167	18 AWG	WHITE	W07	S2-6	04	F	R116-1	11	J	9	FT
2241	18 AWG	WHITE	W03	S2S1-COM		J	S1-NO		J	15	FT
2242	20 AWG	WHITE	W02	S2S1-NC		J	S1-NC		J	15	FT
2220	12 AWG	WHITE	W10	S3-COM	17	F	J1-1	17	J	20	FT
2231	12 AWG	WHITE	W10	S3-NO		F	XDS1-1		J	18	FT
2240	18 AWG	WHITE	W03	S4-NO		F	S1-COM		J	4	FT
	8 AWG	WHITE	W26	T01-H1A	35	F	RV05-1	58	F	44	IN
	8 AWG	WHITE	W26	T01-H2A	35	F	RV06-1	58	F	28	IN
	8 AWG	WHITE	W26	T01-H3A	35	F	RV07-1	58	F	20	IN
	8 AWG	WHITE	W26	T01-R0	35	F	C01-2	35	F	16	IN
	8 AWG	WHITE	W26	T01-R1	35	F	R001-1	35	F	94	IN
	8 AWG	WHITE	W26	T01-R2	35	F	R002-1	35	F	42	IN
	8 AWG	WHITE	W26	T01-R3	35	F	R003-1	35	F	57	IN
2155	14 AWG	WHITE	W05	T02-X1	14	F	R185-1	13	F	6	FT
2156	14 AWG	WHITE	W05	T02-X2	14	F	R185-2	13	F	6	FT
2160	14 AWG	WHITE	W05	T03-X1	13	F	R186-1	13	F	4	FT
2161	14 AWG	WHITE	W05	T03-X2	13	F	R186-2	13	F	4	FT
	14 AWG	WHITE	W05	T04-01	10	F	T04-11	41	F	8	IN
2102	14 AWG	WHITE	W05	T04-01	41	F	A2K01-2	15	F	10	FT

REV F

¹ see table 2-1 ² see table 2-2 ³ see table 2-3

FIGURE 2-31. High Voltage Power Supply Cabinet 2 (Sheet 22 of 27)

1		2		3		2		3		REMARKS
COLOR	TYPE	FROM	TERM	GEN.	TO	TERM	GEN.	LENGTH		
AWG	W05	T04-03	41		T04-05	41		4	IN	JUMPER
AWG	W05	T04-05	41		T04-03	41		4	IN	JUMPER
AWG	W05	T04-05	41		A2K01-4	15		10	FT	
AWG	W05	T04-07	41		T04-09	41		4	IN	JUMPER
AWG	W05	T04-09	41		T04-07	41		4	IN	JUMPER
AWG	W05	T04-09	41		A2K01-6	15		10	FT	
AWG	W05	T04-11	41		T04-01	10		8	IN	JUMPER
AWG	W07	T04-13	06		CR19(AC)	9	J	9	IN	JUMPER
AWG	W07	T04-14	06		CR20(AC)	6	J	6	IN	JUMPER
AWG	W07	T04-15	06		CR21(AC)	9	J	9	IN	JUMPER
AWG	W26	T05-H1A	29		T09-H1A	29	F	24	IN	JUMPER
AWG	W26	T05-H2A	29	F	T09-H2A	29	F	14	FT	JUMPER
AWG	W26	T05-H2A	35	F	T09-H1A	35	F	14	IN	JUMPER
AWG	W26	T05-H3A	35	F	T09-H3A	35	F	30	IN	JUMPER
AWG	W46	T05-R0	16		C16-2	16		6	FT	
AWG	W46	T05-R1	16		T06-H1	16		5	FT	
AWG	W46	T05-R2	16		R042-1	16	J	66	IN	
AWG	W46	T05-R3	16		T07-H1	16		68	IN	
AWG	W46	T06-H1	16		T05-R1	16		5	FT	
AWG	W54	T06-H1	37		T06-H2	37		4	IN	3 TURNS-33.5" ON T6
AWG	W46	T06-H2	16		R041-1	37	J	4	IN	
AWG	W54	T06-H2	37		T06-H1	37		2	FT	3 TURNS-33.5" ON T06
AWG	W05	T06-X1	13		E20	13	J	2	FT	TWIST WITH 2182
AWG	W05	T06-X2	13		E21	13	J	2	FT	TWIST WITH 2181
AWG	W46	T07-H1	16		T05-R3	16		68	IN	
AWG	W46	T07-H1	16		T07-H2	16		4	IN	3 TURNS-33.5" ON T07
AWG	W52	T07-H2	16		R043-1	16		2	FT	3 TURNS-33.5" ON T07
AWG	W05	T07-X1	13		T07-H1	13	J	2	FT	TWIST WITH 2184
AWG	W03	T07-X2	13		E22	13	J	2	FT	TWIST WITH 2183
AWG	W05	T08-01	14		E23	14		8	IN	JUMPER
AWG	W05	T08-01	41		T08-11	41		10	FT	
AWG	W05	T08-03	41		A2K02-02	15		4	IN	JUMPER
AWG	W05	T08-05	41		T08-05	41		4	IN	JUMPER
AWG	W05	T08-05	41		T08-03	41		4	IN	JUMPER
AWG	W05	T08-05	41		A2K02-04	15		10	FT	
AWG	W05	T08-07	41		T08-09	41		4	IN	JUMPER
AWG	W05	T08-09	41		T08-07	41		4	IN	JUMPER
AWG	W05	T08-09	41		A2K02-06	15		10	FT	
AWG	W05	T08-11	41		T08-01	14		8	IN	JUMPER
AWG	W07	T08-13	06		CR22(AC)	9	J	9	IN	
AWG	W07	T08-14	06		CR23(AC)	6	J	6	IN	
AWG	W07	T08-15	06		CR24(AC)	9	J	9	IN	
AWG	W26	T09-H1	35	F	RV5-1	58	F	261	IN	
AWG	W26	T09-H1A	35	F	T05-H1A	35	F	24	IN	JUMPER

REV F

ble 2-1 2 see table 2-2 3 see table 2-3

FIGURE 2-31. High Voltage Power Supply Cabinet 2 (Sheet 23 of 27)

WIRE NO	SIZE	COLOR	TYPE	FROM	TERM ²	GEN. ³	TO	TERM ²	GEN. ³	LENGTH	REMARKS
2268	8 AWG	WHITE	W26	T09-H2	35	F	RV6-1	58	F	252	IN
	8 AWG	WHITE	W26	T09-H2A	35	F	T05-H2A	35	F	14	IN
	8 AWG	WHITE	W26	T09-H2A	48	F	T05-H2A	35	F	14	FT
	8 AWG	WHITE	W26	T09-H3	35	F	RV7-1	58	F	248	IN
	8 AWG	WHITE	W26	T09-H3A	35	F	T05-H3A	35	F	30	IN
	14 AWG	WHITE	W46	T09-R0	16		C22-2	16		86	IN
2269	14 AWG	WHITE	W46	T09-R1	16		T10-H1	16		80	IN
	14 AWG	WHITE	W46	T09-R2	16		R058-1	16	J	80	IN
	14 AWG	WHITE	W46	T09-R3	16		T11-H1	16		72	IN
	14 AWG	WHITE	W46	T10-H1	16		T09-R1	16		80	IN
	14 AWG	WHITE	W46	T10-H1	16		T10-H2	16		4	IN
	14 AWG	WHITE	W46	T10-H2	16		R057-1	16	J	4	IN
	14 AWG	GRAY	W52	T10-H2	16		T10-H1	13		18	FT
	14 AWG	WHITE	W09	T10-X1	13		E24	13		18	FT
	14 AWG	WHITE	W09	T10-X2	13		E25	13		72	IN
	14 AWG	WHITE	W46	T11-H1	16		T09-R3	16		4	IN
W03A	14 AWG	WHITE	W46	T11-H1	16		T11-H2	16	J	4	IN
	14 AWG	WHITE	W46	T11-H2	16		R059-1	16		3	FT
	14 AWG	GRAY	W52	T11-H2	16		T11-H1	13		3	FT
	14 AWG	WHITE	W09	T11-X1	13		E26	15		8	IN
	14 AWG	WHITE	W09	T11-X2	13		E27	15		12	FT
	14 AWG	WHITE	W05	T12-01	15		T12-11	15		3	IN
	14 AWG	WHITE	W05	T12-01	41		A2K02-08	15		3	IN
	14 AWG	WHITE	W05	T12-03	10		T12-05	10		3	IN
	14 AWG	WHITE	W05	T12-05	15		T12-03	15		12	FT
	14 AWG	WHITE	W05	T12-05	41		A2K02-10	15		3	IN
2135	14 AWG	WHITE	W05	T12-07	10		T12-09	15		3	IN
	14 AWG	WHITE	W05	T12-09	15		T12-07	10		3	IN
	14 AWG	WHITE	W05	T12-09	41		A2K02-12	15		12	FT
	14 AWG	WHITE	W05	T12-09	15		T12-01	15		8	IN
	14 AWG	WHITE	W05	T12-11	15		T12-01	15		9	IN
	18 AWG	WHITE	W07	T12-13	06		CR25(AC)	18	J	6	IN
	18 AWG	WHITE	W07	T12-14	06		CR26(AC)	18	J	9	IN
	18 AWG	WHITE	W07	T12-15	06		CR27(AC)	18	J	10	IN
	14 AWG	WHITE	W46	T14-H1	18		T15-H2	50		16	IN
	14 AWG	WHITE	W46	T14-H2	18		T16-H2	50		72	IN
2205A	18 AWG	WHITE	W29	T14-X1	01		RV4-1	01		12	FT
	18 AWG	WHITE	W29	T14-X1	06	J	Z1TB1-01	06		10	IN
2206A	16 AWG	WHITE	W04	T14-X2	13		A2S2-5B	13		17	IN
	16 AWG	WHITE	W04	T14-X2	06		RV4-2	06		10	IN
	16 AWG	WHITE	W04	T14-X2	13		GND	13		10	IN
	16 AWG	BLACK	W04	T14-X2	06		A2S2-6B	06		17	IN
	14 AWG	WHITE	W46	T15-H1	23		T17-H2	23		10	IN
	14 AWG	WHITE	W46	T15-H2	16		T14-H1	16		24	IN
2206B	14 AWG	WHITE	W46	T15-H2	39		K01-3	39		72	IN
	14 AWG	WHITE	W46	T15-H2	16			16		12	FT
COMPONENT LEAD-NO LUGS											
COMPONENT LEAD-NO LUGS											

REV F

¹ see table 2-1 ² see table 2-2 ³ see table 2-3

FIGURE 2-31. High Voltage Power Supply Cabinet 2 (Sheet 24 of 27)

WIRE NO	SIZE	COLOR	TYPE	FROM	TERM 2	GEN. 3	TO	TERM 2	GEN. 3	LENGTH	REMARKS
2207A	16 AWG	WHITE	W04	T15-X1			RV3-1	41	G	24 IN	COMPONENT LEAD-NO LUGS
	18 AWG	WHITE	W29	T15-X1	J		GND	06		12 FT	
2205B		BLACK		T15-X2	J		RV3-2				COMPONENT LEAD-NO LUGS
2207B		BLACK		T15-X2			Z1TB1-03	41			
	8 AWG	WHITE	W26	T16-H2			A2S2-7B	06		17 IN	
	14 AWG	WHITE	W46	T16-H2	23		K01-1	16		16 IN	
2208A	14 AWG	WHITE	W27	T16-X1			T14-H2	14		20 FT	
2208B		BLACK		T16-X2			A2S2-1B	15			
	8 AWG	WHITE	W26	T17-H2	39	E	K01-5	35		25 IN	
2209A	14 AWG	WHITE	W46	T17-H2	23		T15-H1	16		18 FT	
2209B	14 AWG	WHITE	W27	T17-X1			A2S2-3B	14			
2119	14 AWG	WHITE	W27	T17-X2			A2S2-3T	15		25 FT	
2210B	6 AWG	WHITE	W14	T20-H2	48		A2CB1-1	28			
2210A	14 AWG	WHITE	W27	T20-X1			A2S1-1B	14		24 FT	
2120	6 AWG	WHITE	W14	T20-X2			A2S1-1T	14		25 FT	
2211B	14 AWG	BLACK		T21-H2	48	C	A2CB1-3	28			
2211A	14 AWG	WHITE	W27	T21-X1			A2S1-3B	15		25 FT	
2121	6 AWG	WHITE	W14	T21-X2	48	C	A2S1-3T	14		25 FT	
2212B	14 AWG	BLACK		T22-H2			A2CB1-5	28			
2212A	14 AWG	WHITE	W27	T22-X1			A2S1-5B	15		24 FT	
2213B	14 AWG	BLACK		T22-X2			A2S1-5T	14			
2213A	14 AWG	WHITE	W27	T23-X1		J	A2S4-2B	15		25 FT	
2257	8 AWG	WHITE	W13	T23-X2		J	A2S4-2T	10		3 FT	
2258	8 AWG	WHITE	W13	T24-01-2	35		A2CB2-2	29		8 FT	
2260	8 AWG	WHITE	W13	T24-02-2	35		A2CB2-4	29		8 FT	
2259	8 AWG	WHITE	W13	T24-03-1	35		A2 NEUT	35		10 FT	
2226	16 AWG	WHITE	W04	T24-03-2	35		A2CB2-6	29		8 FT	
2264	14 AWG	WHITE	W04	T24-103	12		T24-13	10		3 FT	
2263	16 AWG	WHITE	W04	T24-12	10		A4TB1-05	10		3 FT	
2266	16 AWG	WHITE	W04	T24-13	10		A4TB1-04	10		3 FT	
2262	16 AWG	WHITE	W04	T24-13	10		T24-103	12		3 FT	
2261	16 AWG	WHITE	W04	T24-203	12		A4TB1-03	10		3 FT	
2214	12 AWG	WHITE	W10	T24-303	12		A4TB1-01	10		3 FT	
	16 AWG	WHITE	W04	CB3-1	50		A2CB8-1	16		25 FT	
	16 AWG	WHITE	W04	TB01-04	01		A4TB1-02	10		3 FT	
2224	12 AWG	WHITE	W10	TB01-01	16		A2 COM 3	18		20 FT	
2247	12 AWG	WHITE	W10	TB01-02	51		A2CB9-1	16		20 FT	
1468	16 AWG	WHITE	W04	TB01-04	14		XHR1 NEUT	21		20 FT	
2216	14 AWG	WHITE	W05	TB01-04	13		A2 COM 2	12		25 FT	
2231	12 AWG	WHITE	W10	XDS1-1	17		S3-NO	18		18 FT	
	12 AWG	WHITE	W10	XDS1-2			J1-2	2		2 FT	
2168	16 AWG	WHITE	W04	XHR1 NEUT	14		TB01-04	14		20 FT	

REV F

¹ see table 2-1 ² see table 2-2 ³ see table 2-3

FIGURE 2-31. High Voltage Power Supply Cabinet 2 (Sheet 25 of 27)

WIRE NO	SIZE	COLOR	TYPE ¹	FROM	TERM ² GEN. ³	TO	TERM ²	GEN. ³	LENGTH	REMARKS
2189	20 AWG	WHITE	W02	XK19-12		XK18-12			10 FT	
	22 AWG	WHITE	W01	XK19-13		C30(+)	06		24 IN	
	22 AWG	WHITE	W01	XK19-13		R202-2		J	2 IN	JUMPER
	22 AWG	WHITE	W01	XK19-14		C30(-)	06		24 IN	
	22 AWG	WHITE	W01	XK19-14		CR51(-)		J	2 IN	JUMPER
	20 AWG	WHITE	W02	XK20-05		XK19-05			6 IN	
	20 AWG	WHITE	W02	XK20-08		XK19-08		J	6 IN	JUMPER
2164	18 AWG	WHITE	W03	XK20-09		K11-B2			20 FT	
	14 AWG	WHITE	W05	XK20-09		XK19-09			6 IN	
	20 AWG	WHITE	W02	XK20-12		XK19-12			6 IN	
	18 AWG	WHITE	W03	XK20-12	J	K01TB1-07	01		20 FT	
	22 AWG	WHITE	W01	XK20-13		C31(+)	06		24 IN	
	22 AWG	WHITE	W01	XK20-13		R204-2		J	2 IN	JUMPER
	22 AWG	WHITE	W01	XK20-14		C31(-)	06		24 IN	
	22 AWG	WHITE	W01	XK20-14		CR55(-)		J	2 IN	
	20 AWG	WHITE	W02	XK21-01	J	A1TB1-07	01		4 FT	
	20 AWG	WHITE	W02	XK21-09	J	A1TB1-05	01		4 FT	
2170	18 AWG	WHITE	W03	XK21-13		R191-2		J	10 IN	
	18 AWG	WHITE	W03	XK21-14		R191-1		J	10 IN	
	18 AWG	WHITE	W29	XK21-14		T14-X1		J	72 IN	
				Z1TB1-01	01	GND	08			
				Z1TB1-02	10					
				Z1TB1-03	08	T15-X2				
	20 AWG	WHITE	W02	Z1TB2-01	01	Z2TB2-02	01		2 FT	
	20 AWG	WHITE	W02	Z1TB2-03	08	Z2TB2-03	01		1 FT	
	18 AWG	WHITE	W29	Z2TB1-01	01	A2T01-X1		J	15 FT	
				Z2TB1-02	10	GND	14	G		
2245A				Z2TB1-03	01	A2T02-X2		J		
	20 AWG	WHITE	W02	Z2TB2-01	01	Z1TB2-01	01		2 FT	
	20 AWG	WHITE	W02	Z2TB2-02	01	Z1TB2-03	08		1 FT	
	20 AWG	WHITE	W02	Z2TB2-03	01	A2TB1-09	01		15 FT	
	20 AWG	WHITE	W02	Z2TB2-03	01					

REV F

¹ see table 2-1 ² see table 2-2 ³ see table 2-3

TERM	2	3	GEN.	TO	TERM	2	3	GEN.	REMARKS
08			J	CR1(AC)			J		
08			J	CR2(AC)			J		
08			J	CR3(AC)			J		
14				T1-3	14				
14				T1-2	14				
14				T1-1	14				
01				K2-B2			J		
01				R15-2			J		
01				K1-A3			J		
01				K1-A2			J		
01				K1-A1			J		
01				K2-A1			J		
08				R13-2			J		
01				K2-A2			J		
01				CR14(-)			J		
				K3-B2			J		JUMPER
				K3-B1			J		JUMPER
				K3-X2			J		JUMPER
				K3-X1			J		JUMPER
				K1-X2			J		JUMPER
				K1-X1			J		JUMPER
06			J	TB1-10	06		J		JUMPER
			J	R4-1(GND SHLD)			J		JUMPER
			J	R10-3			J		JUMPER
15			J	CR10(+)(GND SHLD)	15		J		JUMPER
12				R11-1			J		JUMPER
15				R12-1			J		JUMPER
15				R12-3			J		JUMPER
				6V1-IGNTRON	13		J		JUMPER
			J	CR13(+)			J		JUMPER
			J	CR11(-)			J		JUMPER
			J	R12-2			J		JUMPER
			J	R12-1			J		JUMPER
08				Q1-ANODE	04		J		JUMPER
08				R1-1	08		J		JUMPER
08				R2-1			J		JUMPER
08				C1-1(+)			J		JUMPER
08				CR1(+)			J		JUMPER
15				CR7(-)GND LUG	15		J		JUMPER
			J	CR9-1(+)			J		JUMPER
			J	GND			J		1/4"FLAT BUS
			J	R10-2			J		JUMPER
			N53	GND			J		GND LUG
			J	R3-1			J		BUS

REV D

FIGURE 2-32. Electronic Crowbar 2A1 (Sheet 1 of 2)

WIRE NO	SIZE	COLOR	TYPE ¹	FROM	TERM ²	GEN. ³	TO	TERM ²	GEN. ³	LENGTH	REMARKS
	20	AWG	WHITE	W37	R3-2	J	CR7(+)		J	2	BUS
	20	AWG	WHITE	W37	CR10(-)	J	R9-1		J	2	BUS
	20	AWG	WHITE	W37	R9-1	J	R8-1		J	2	BUS
	20	AWG	WHITE	W37	R8-1	J	R7-1		J	2	BUS
	20	AWG	WHITE	W37	J1	J	R7-2		J	3	BUS
	20	AWG	WHITE	W37	R7-2	J	R8-2		J	2	BUS
	20	AWG	WHITE	W37	R9-2	J	GND LUG		J	1	BUS
	RG 316		WHITE	W45	T2-2	J	GND LUG (GND SHLD)		J	7	
	20	AWG	WHITE	W37	R13-1	J	CR8(+)		J	2	BUS
	20	AWG	WHITE	W37	R14-1	J	R14-1		J	2	BUS
	20	AWG	WHITE	W37	C2-2(-)	J	C2-1(+)		J	2	BUS
	20	AWG	WHITE	W37	C2-2	J	R14-2		J	1	BUS
	20	AWG	WHITE	W37	CR1(+)	J	GND LUG		J	2	BUS
	20	AWG	WHITE	W37	CR2(+)	J	CR2(+)		J	2	BUS
	20	AWG	WHITE	W37	CR4(-)	J	CR3(+)		J	2	BUS
	20	AWG	WHITE	W37	CR5(-)	J	CR5(-)		J	2	BUS
	20	AWG	WHITE	W37	CR6(-)	J	CR6(-)		J	2	BUS
	20	AWG	WHITE	W37	CR7(-)	J	GND		J	1	BUS
	20	AWG	WHITE	W37	CR9(-)	J	GND		J	1	BUS
	20	AWG	WHITE	W37	R6-2	J	R6-2		J	2	BUS
	20	AWG	WHITE	W37	R4-2	J	R4-2		J	1	BUS
	20	AWG	WHITE	W37	R15-2	J	GND		J	1	BUS
	20	AWG	WHITE	W02	R15-1	J	R16-2		J	2	BUS
	20	AWG	WHITE	W02	R16-1	J	R16-1		J	2	BUS
	16	AWG	WHITE	W35	T3-4	J	CR14(+)		J	2	BUS
	16	AWG	WHITE	W35	T3-1	J	T3-1		J	4	BUS
	20	AWG	WHITE	W02	K2-B1	J	GND		J	1	BUS
						J	GND LUG		J	4	BUS

REV D

¹ see table 2-1 ² see table 2-2 ³ see table 2-3

COLOR	FROM	TERM	GEN.	TO	TERM	GEN.	TERM	GEN.	LENGTH	REMARKS
		2	3		2	3	2	3		
WHITE	TB1-1	41		K1-B	15		3		3	FT
WHITE	TB1-1	41		CB1-E	15		30		30	FT
WHITE	TB1-2	40		K4-6	06		30		30	FT
WHITE	TB1-3	41		K3-6	14		4		4	FT
WHITE	TB1-4	40		K4-4	06		30		30	FT
WHITE	TB1-5	40		K3-5	06		4		4	FT
WHITE	TB1-6	40		K1-7	06		30		30	FT
WHITE	TB1-7	40		CB5-(COM)	06	J	36		36	FT
WHITE	TB1-8	40		CB1-A	40		3		3	FT
WHITE	TB1-9	40		CB1-B	40		30		30	FT
WHITE	TB1-10	10		CB1-D	41		30		30	FT
WHITE	TB1-11	10		K4-3	14		30		30	FT
WHITE	CB1-D	10		TB1-10	41		30		30	FT
WHITE	CB1-E	10		TB1-1	14		30		30	FT
WHITE	CB1-E	10		K3-L2	06		6		6	FT
WHITE	CB1-B	01	B	TB1-9	40		30		30	FT
WHITE	CB1-2		B	CB2-1	28		10		10	IN
WHITE	CB1-4		B	CB2-3	28		10		10	IN
WHITE	CB1-6		B	CB2-5	28		10		10	IN
WHITE	CB1-A	01		TB1-8	40		3		3	FT
WHITE	CB1-B	01		CB2-NC	30	J	30		30	FT
WHITE	CB1-C	01		CB2-NO	30	J	30		30	FT
WHITE	CB2-1	28	B	CB1-2	28		10		10	IN
WHITE	CB2-1	28	B	CB4-1	28		10		10	IN
WHITE	CB2-3	28	B	CB4-3	28		17		17	IN
WHITE	CB2-5	28	B	CB4-5	28		17		17	IN
WHITE	CB2-COM		J	CB3-NO	2	J	2		2	FT
WHITE	CB2-NO		J	CB1-C	40		30		30	FT
WHITE	CB2-NC		J	CB1-B	40		30		30	FT
WHITE	CB2-NC		J	CB3-NC	14		2		2	FT
WHITE	CB3-1	14		CB8-1	14		3		3	FT
WHITE	CB3-COM		J	CB4-NO	2	J	2		2	FT
WHITE	CB3-NO		J	CB2-COM	2	J	2		2	FT
WHITE	CB3-NC		J	CB2-NC	2	J	2		2	FT
WHITE	CB3-NC		J	CB4-NC	2	J	2		2	FT
WHITE	CB2-3	28	B	CB1-4	28		10		10	IN
WHITE	CB4-1	28	B	CB2-1	28		17		17	IN
WHITE	CB4-1	28	B	CB7-1	28		17		17	IN
WHITE	CB4-3	28	B	CB2-3	28		17		17	IN
WHITE	CB4-3	28	B	CB7-3	28		12		12	IN
WHITE	CB4-4	14		K4-5	14		4		4	FT
WHITE	CB4-5	28	B	CB7-5	28		12		12	IN
WHITE	CB4-COM		J	CB7-NO	2	J	6		6	FT
WHITE	CB4-NO		J	CB3-COM	2	J	2		2	FT

³ see table 2-3

REV D

FIGURE 2-33. Electronic System Protection Panel 2A2 (Sheet 1 of 6)

COLOR	TYPE ¹	FROM	TERM ²	GEN. ³	0	TERM ²	GEN. ³	LENGTH	REMARKS
WHITE	W03	CB4-NC		J			J	2	FT
WHITE	W03	CB4-NC		J			J	6	FT
WHITE	W04	CB5-1	14			28		2	FT
WHITE	W14	CB5-1	28	B		14		12	IN
WHITE	W05	CB5-2	14					2	FT
WHITE	W04	CB5-3	14					30	FT
WHITE	W14	CB5-3	28	B		14	B	12	IN
WHITE	W05	CB5-4	14					2	FT
WHITE	W04	CB5-5	14					30	FT
WHITE	W14	CB5-5	28	B		14	B	12	IN
WHITE	W05	CB5-6	14					2	FT
WHITE	W03	CB5-COM		J		40	J	30	FT
WHITE	W03	CB5-NO		J			J	24	FT
WHITE	W03	CB5-NC		J			J	24	FT
WHITE	W14	CB6-1	28	B		28	B	12	IN
WHITE	W14	CB6-1	28	B		28	B	12	IN
WHITE	W05	CB6-2	14					5	FT
WHITE	W14	CB6-3	28	B		28	B	12	IN
WHITE	W14	CB6-3	28	B		28	B	12	IN
WHITE	W05	CB6-4	14					6	FT
WHITE	W14	CB6-5	28	B		28	B	12	IN
WHITE	W14	CB6-5	28	B		28	B	12	IN
WHITE	W05	CB6-6	14					5	FT
WHITE	W03	CB6-COM		J		14	J	24	FT
WHITE	W03	CB6-NO		J			J	24	FT
WHITE	W03	CB6-NC		J			J	24	FT
WHITE	W03	CB6-NC		J			J	24	FT
WHITE	W14	CB7-1	28	B		28	B	12	IN
WHITE	W14	CB7-1	28	B		28	B	12	IN
WHITE	W05	CB7-2	14					7	FT
WHITE	W14	CB7-3	28	B		28	B	12	IN
WHITE	W14	CB7-3	28	B		28	B	12	IN
WHITE	W05	CB7-4	14					7	FT
WHITE	W14	CB7-5	28	B		28	B	12	IN
WHITE	W14	CB7-5	28	B		28	B	12	IN
WHITE	W05	CB7-6	14					7	FT
WHITE	W03	CB7-COM		J		14	J	24	FT
WHITE	W03	CB7-NO		J			J	24	FT
WHITE	W03	CB7-NC		J			J	24	FT
WHITE	W04	CB8-2	14					6	FT
WHITE	W04	CR1-(+)		J		28	J	10	FT
WHITE	W04	CR1-(-)		J			J	6	FT
WHITE	W04	CR2-(+)		J			J	6	FT
WHITE	W04	CR2-(-)		J			J	10	FT

COMPONENT LEAD
COMPONENT LEAD
COMPONENT LEAD
COMPONENT LEAD

REV D

² see table 2-2 ³ see table 2-3

FIGURE 2-33. Electronic System Protection Panel 2A2 (Sheet 2 of 6)

WIRE NO	SIZE	COLOR	TYPE ¹	FROM	TERM ² GEN. ³	TO	TERM ² GEN. ³	LENGTH	REMARKS
CR3				CR3-(+)	J	E5	J		COMPONENT LEAD
CR3				CR3-(-)	J	E6	J		COMPONENT LEAD
CR4				CR4-(+)	J	E7	J		COMPONENT LEAD
CR4				CR4-(-)	J	E8	J		COMPONENT LEAD
CR9				CR9-(+)	J	TB1-2	J		COMPONENT LEAD
2341	18 AWG	WHITE	W03	E1	J	K1-A	J	4	JUMPER
	16 AWG	WHITE	W04	E2	J	K1-B	J	4	JUMPER
	16 AWG	WHITE	W04	E2	J	K2-B	J	6	JUMPER
	18 AWG	WHITE	W03	E4	J	K2-B	J	4	JUMPER
	18 AWG	WHITE	W03	E6	J	K3-L2	J	8	JUMPER
2342	18 AWG	WHITE	W03	E6	J	K4-L2	J	3	JUMPER
	18 AWG	WHITE	W03	E8	J	K4-L2	J	13	JUMPER
	16 AWG	WHITE	W04	E3	J	K2-A	J	4	JUMPER
2343	16 AWG	WHITE	W04	E3	J	K1-A	J	5	JUMPER
	18 AWG	WHITE	W03	E5	J	K3-L1	J	4	JUMPER
2344	18 AWG	WHITE	W03	E7	J	K3-1	J	3	JUMPER
	18 AWG	WHITE	W03	E7	J	K4-L1	J	3	JUMPER
	18 AWG	WHITE	W03	E7	J	K4-L1	J	12	JUMPER
K2				K2-A		CR6(+)			COMPONENT LEAD
K1				K1-A		CR5(+)			COMPONENT LEAD
K2				K2-B		CR6(-)			COMPONENT LEAD
K1				K1-B		CR5(-)			COMPONENT LEAD
2343	16 AWG	WHITE	W04	K1-A	J	E3	J	6	JUMPER
2347	14 AWG	WHITE	W05	K2-A	J	K3-2	J	6	JUMPER
2325	14 AWG	WHITE	W05	K1-1	J	CB5-2	J	2	JUMPER
2327	14 AWG	WHITE	W05	K1-3	J	CB5-4	J	2	JUMPER
2329	14 AWG	WHITE	W05	K1-5	J	CB5-6	J	2	JUMPER
2306	18 AWG	WHITE	W03	K1-7	J	TB1-6	J	30	JUMPER
2345	18 AWG	WHITE	W03	K1-8	J	K2-13	J	6	JUMPER
2300	18 AWG	WHITE	W03	K1-A	J	E1	J	4	JUMPER
	14 AWG	WHITE	W05	K1-B	J	TB1-1	J	3	JUMPER
	16 AWG	WHITE	W04	K1-B	J	E2	J	4	JUMPER
2332	14 AWG	WHITE	W05	K2-1	J	CB6-2	J	5	JUMPER
2333	14 AWG	WHITE	W05	K2-3	J	CB6-4	J	6	JUMPER
2334	14 AWG	WHITE	W05	K2-5	J	CB6-6	J	5	JUMPER
2337	14 AWG	WHITE	W05	K2-7	J	CB7-2	J	8	JUMPER
2338	14 AWG	WHITE	W05	K2-9	J	CB7-4	J	8	JUMPER
2339	14 AWG	WHITE	W05	K2-11	J	CB7-6	J	2	JUMPER
2345	18 AWG	WHITE	W03	K2-13	J	K1-8	J	6	JUMPER
2346	18 AWG	WHITE	W03	K2-14	J	K4-6	J	6	JUMPER
	16 AWG	WHITE	W04	K2-A	J	E3	J	4	JUMPER
	18 AWG	WHITE	W03	K2-B	J	E4	J	4	JUMPER
2341	16 AWG	WHITE	W04	K2-B	J	E2	J	6	JUMPER
2344	18 AWG	WHITE	W03	K3-1	J	E7	J	3	JUMPER
2347	14 AWG	WHITE	W05	K3-2	J	K2-A	J	30	JUMPER

REV D

¹ see table 2-1 ² see table

³ see table 2-3

FIGURE 2-33. Electronic System Protection Panel 2A2 (Sheet 3 of 6)

TERM	2	GEN.	3	TO	TERM	2	GEN.	3	LENGTH	REMARKS
06				T81-5	40				4	FT
06				K3-11	06				4	IN
14				T81-3	41				4	FT
06				E5		J			12	IN
06				E6		J			6	IN
06				CB1-E	14				6	FT
14				T81-11	14	Y			6	FT
06				T81-4	06				6	FT
14				CB4-4		J			4	FT
06				K2-14	06				6	FT
06				E7		J			6	IN
06				E8		J			12	FT
06				E6		J			3	FT
06				T81-2	40				6	FT
06				K3-5	06				10	IN
06				CR7(+)		J				JUMPER
06				CR7(-)		J				COMPONENT LEAD
06				CR8(+)		J				COMPONENT LEAD
06				CR8(-)		J				COMPONENT LEAD
		J		T4-3		J			2	FT
		J		T4-5		J			2	FT
		J		S1-2T	08	A			2	FT
		J		OPEN						
		J		T5-3		Y,A			2	FT
		J		T5-5		J			2	FT
		J		S2-2T	08	A			2	FT
		J		OPEN						
		J		S3-4T	08	A			2	FT
		J		S3-4B	08	A			2	FT
		J		S3-8T	08				2	FT
		K		S3-8B	08				2	FT
		J		J2-1 (PIN)		J			2	FT
08				J2-GND		J				
08				S4-1T	08				18	FT
08				T1-X1					8	FT
08				T1-X2						
08				GND						
08				T2-X1					8	FT
08				T2-X2						
08				GND						
08				T4-1		J			8	FT
08				T4-2		J				
08				GND		J				
08				S4-3T	08				2	FT

REV D

WIRE NO	SIZE	COLOR	TYPE	FROM	TERM 2	GEN. 3	TO	TERM 2	GEN. 3	LENGTH	REMARKS
2359B		WHITE		S1-14B			S4-4T				
2359C		SHIELD		OPEN	08		GND	08			
2351A	18 AWG	WHITE	W17	S2-2T	08	J	J4-1 (PIN)	08	J	2 FT	
2351B		SHIELD		OPEN			GND				
2360A	18 AWG	WHITE	W29	S2-7T	08	J	T5-1	08	J	2 FT	
2360B		BLACK		S2-8T	08	J	T5-2	08	J		
2360C		SHIELD		OPEN			GND				
2352A	18 AWG	WHITE	W17	S3-4T	08	J	J5-1 (PIN)	08	J	2 FT	
2352B		SHIELD		S3-4B	08	J	J5-GND	08	J		
2353A	18 AWG	WHITE	W17	S3-8T	08	J	J6-1 PIN	08	J	2 FT	
2353B		SHIELD		S3-8B	08	J	J6-GND	08	J		
2361A	18 AWG	WHITE	W29	S4-4B	08	Y	T3-X2	08	Y	8 FT	
2361B		BLACK		S4-3B	08		T3-X1	08			
2361C		SHIELD		OPEN		J	GND	08	J	2 FT	
2359A	18 AWG	WHITE	W29	S4-4T	08		S1-14B	08			
2359B		BLACK		S4-3T	08		S1-13B	08			
2359C		SHIELD		GND			OPEN				
2355	14 AWG	WHITE	W03	S4-2B			S4-1B	08		4 IN	JUMPER
2362A	14 AWG	WHITE	W03	S4-1T			S1-8B	15		18 FT	
2362B	14 AWG	BLACK	W27	S4-1B			S1-7B	15		2 FT	
2362C		WHITE		S4-2T			S1-7T	15			
2356A	18 AWG	SHIELD	W29	OPEN			S1-7T	08		8 FT	
2356B		BLACK		T1-X1	08		S1-9B	08			
2356C		WHITE		T1-X2	08		S1-10B	08			
		SHIELD		GND		J	OPEN		J	14 IN	
2324	16 AWG	WHITE	W04	T1-X2			GND	14		2 FT	SEP FORM
2363	16 AWG	WHITE	W04	T1-H1			CB5-1	14		4 FT	
2357A	16 AWG	WHITE	W04	T1-H2			T2-H1	08		4 FT	
2357B	18 AWG	WHITE	W28	T2-X1			S1-10B	08		8 FT	
2357C		BLACK		T2-X2			S1-12B	08			
		SHIELD		GND			OPEN				
2363	16 AWG	WHITE	W04	T2-X1		J	GND	14	J	14 IN	
2328	16 AWG	WHITE	W04	T2-H1			T1-H2	14		4 FT	
2326	16 AWG	WHITE	W04	T2-H2			CB5-5	14		30 FT	SEP FORM
2361A	18 AWG	BLACK	W29	T2-H1			CB5-3	14		30 FT	SEP FORM
2361B		WHITE		T3-X1			S4-3	8		8 FT	
2361C		SHIELD		T3-X2			S4-4				
		SHIELD		GND			OPEN				
2340	16 AWG	WHITE	W04	T3-X2		J	GND	14	J	14 IN	
2364	16 AWG	WHITE	W04	T3-H1			CB8-2	14		10 FT	
2358A	18 AWG	WHITE	W29	T3-H2		J	NO 2-COM	08	J	8 FT	
2358B		WHITE		T4-1			S1-13T	08		8 FT	
2358C		BLACK		T4-2		J	S1-14T	08	J		
		SHIELD		GND			OPEN				

REV D

FIGURE 2-33. Electronic System Protection Panel 2A2 (Sheet 5 of 6)

1 see table 2-1 2 see table 2-2 3 see table 2-3

WIRE NO	SIZE	COLOR	TYPE	1	2	3	GEN.	TO	2	3	LENGTH	REMARKS
				FROM		TERM			TERM	GEN.		
2348A	18 AWG	WHITE	W17	T4-3	J	J1-1 (PIN)	J		08	J	2 FT	
2348B		SHIELD		T4-5	J	GND	J		08			
2360A	18 AWG	WHITE	W29	T5-1	J	S2-7T	J		08		2 FT	
2360B		BLACK		T5-2	J	S2-8T	J		08			
2360C		SHIELD		GND	J	OPEN	J					
2350A	18 AWG	WHITE	W17	T5-3	J	J3-1 (PIN)	J		08	J	2 FT	
2350B		SHIELD		T5-5	J	GND	J					
2364	15 AWG	WHITE	W04	NO 2-COM	J	T3-H2	J				8 FT	

REV D

1 see table 2-1 2 see table 2-2 3 see table 2-3

WIRE NO	SIZE	COLOR	TYPE ¹	FROM	TERM ²	GEN. ³	TO	TERM ²	GEN. ³	LENGTH	REM.
	18	AWG	W03	M1(-)	04	J	E2	40	J	5	TW
	18	AWG	W03	E1		J	TB1-1			5	ALL WIRES
	18	AWG	W03	E2		J	TB1-2			5	ALL WIRES
	18	AWG	W03	M2(+)	04		E3			5	
	18	AWG	W03	M2(-)	04		E4			5	
	18	AWG	W03	E3		J	TB1-4			5	
	18	AWG	W03	E4		J	TB1-5			5	
	18	AWG	W03	M3(+)	04		E5			5	
	18	AWG	W03	M3(-)	04		E6			5	
	18	AWG	W03	E5		J	TB2-1			5	
	18	AWG	W03	E6		J	TB2-2			5	
	18	AWG	W03	M4(+)	04		E7			5	
	18	AWG	W03	M4(-)	04		E8			5	
	18	AWG	W03	E7		J	TB2-4			5	
	18	AWG	W03	E8		J	TB2-5			5	
	18	AWG	W03	M5(+)	04		E9			5	
	18	AWG	W03	M5(-)	04		E10			5	
	18	AWG	W03	E9		J	TB3-2			5	
	18	AWG	W03	E10		J	TB3-1			5	
	18	AWG	W03	M6(+)	04		E11			5	
	18	AWG	W03	M6(-)	04		E12			5	
	18	AWG	W03	E11		J	TB3-5			5	
	18	AWG	W03	E12		J	TB3-4			5	
	18	AWG	W03	E1		J	E2			5	COM
C1				E3		J	E4			5	COM
C2				E5		J	E6			5	COM
C3				E7		J	E8			5	COM
C4				E9		J	E10			5	COM
C5				E11		J	E12			5	COM
C6				E11		J				5	COM

NT LEADS
 NT LEADS
 NT LEADS
 NT LEADS
 NT LEADS
 NT LEADS

REV D

FIGURE 2-34. Meter Assembly Panel 2A3

¹ see table 2-1 ² see table 2-2 ³ see table 2-3

WIRE NO	SIZE	COLOR	TYPE	1			2			3			REMARKS
				FROM	TERM	GEN.	TO	TERM	GEN.	TO	TERM	GEN.	
1	20 AWG	WHITE	W02	TB2-1	01		K1-4	08		9	IN		
2	20 AWG	WHITE	W02	TB2-2	01		K1-6	08		8	IN		
3	20 AWG	WHITE	W02	TB2-3	01		K1-2	08		8	IN		
4	20 AWG	WHITE	W02	R4-1*		J	R4-2		J	4	IN	JUMPER	
5	20 AWG	WHITE	W02	R4-1		J	K1-5*	08		18	IN		
6	20 AWG	WHITE	W02	R4-3		J	C1-(+)*	05		8	IN		
7	20 AWG	WHITE	W02	C1-(+)	05		K1-1*	08		16	IN		
8	20 AWG	WHITE	W02	C1-(-)*	05		K1-L2	08		18	IN		
9	20 AWG	WHITE	W02	C1(-)	05		CR6(-)		J	14	IN		
-	20 AWG	WHITE	W02	K1-5	08		R3-1	08		3	IN	JUMPER	
-	20 AWG	WHITE	W02	K1-1	08		K1-L1		J	5	IN	JUMPER	
-	20 AWG	WHITE	W02	TB1-1	01		CR3(-)		J	6	IN	JUMPER	
-	20 AWG	WHITE	W02	TB1-2	01		CR2(-)		J	6	IN	JUMPER	
-	20 AWG	WHITE	W02	TB1-3	01		CR1(-)		J	6	IN	JUMPER	
-	20 AWG	WHITE	W02	R1-1		J	R2-1		J	1	IN		
-	20 AWG	WHITE	W37	R2-1		J	R3-1		J	1	IN		
-	20 AWG	WHITE	W37	CR1(+)		J	CR2(+)		J	1	IN		
-	20 AWG	WHITE	W37	CR2(+)		J	CR3(+)		J	1	IN		
-	20 AWG	WHITE	W37	CR4(-)		J	CR5(-)		J	1	IN		
-	20 AWG	WHITE	W37	CR5(-)		J	CR6(-)		J	1	IN		

*=2 WIRES

NOTE

REV D

FIGURE 2-35. Phase Monitor 2Z1, 2Z2

1 see table 2-1 2 see table 2-2 3 see table 2-3

WIRE NO	SIZE	COLOR	TYPE	FROM	TERM ² GEN. ³	TO	TERM ²	GEN. ³	LENGTH	REMARKS
	8 AWG	WHITE	W26	E1-E2 BUS	35	S1-1	39		22	IN
	8 AWG	WHITE	W26	E3-E4 BUS	35	S1-2	39		22	IN
	8 AWG	WHITE	W26	E5-56 BUS	35	S1-3	39		31	IN

REV C

¹ see table 2-1 ² see table 2-2 ³ see table 2-3

WIRE NO	SIZE	COLOR	TYPE	FROM	TERM 2	GEN. 3	TO	TERM 2	GEN. 3	LENGTH	REMARKS
2000	14 AWG	WHITE	W05	1TB3-1	41		2A2TB1-10	41		25	INTERCONNECT XMTR & HVPS
2001	20 AWG	WHITE	W02	1TB3-2	01		2S4-NC	06		25	INTERCONNECT XMTR & HVPS
2002	18 AWG	WHITE	W03	1TB3-3	01		2S4-COM	06		22	INTERCONNECT XMTR & HVPS
2003	18 AWG	WHITE	W03	1TB3-4	01		2A2TB1-2	01		22	INTERCONNECT XMTR & HVPS
2004	20 AWG	WHITE	W02	1TB3-5	01		2S1-NC	06		22	INTERCONNECT XMTR & HVPS
2005	18 AWG	WHITE	W03	1TB3-6	01		2Z1TB2-2	01		22	INTERCONNECT XMTR & HVPS
2006	18 AWG	WHITE	W03	1TB3-7	01		272TB2-1	01		25	INTERCONNECT XMTR & HVPS
2007	20 AWG	WHITE	W02	1TB3-8	01		2A1TB1-6	01		35	INTERCONNECT XMTR & HVPS
2008	20 AWG	WHITE	W02	1TB3-9	01		2XK21-5	01		35	INTERCONNECT XMTR & HVPS
2009	20 AWG	WHITE	W02	1TB3-12	01		2K14-A1		J	19	INTERCONNECT XMTR & HVPS
2010	20 AWG	WHITE	W02	1TB3-13	01		2XK20-8			30	INTERCONNECT XMTR & HVPS
2011	20 AWG	WHITE	W02	1TB3-14	01		2K11-A1		J	33	INTERCONNECT XMTR & HVPS
2012	20 AWG	WHITE	W02	1TB3-15	01		2K13-A1		J	20	INTERCONNECT XMTR & HVPS
2013	20 AWG	WHITE	W02	1TB3-16	01		2XK18-8			26	INTERCONNECT XMTR & HVPS
2014	20 AWG	WHITE	W02	1TB3-17	01		2K10-A1		J	35	INTERCONNECT XMTR & HVPS
2015	20 AWG	WHITE	W02	1TB3-18	01		2K12-A1		J	22	INTERCONNECT XMTR & HVPS
2016	20 AWG	WHITE	W02	1TB3-19	01		2XK15-8			38	INTERCONNECT XMTR & HVPS
2017	20 AWG	WHITE	W02	1TB3-20	01		2K9-A1		J	35	INTERCONNECT XMTR & HVPS
2018	20 AWG	WHITE	W02	1TB4-1	01		2A1TB1-4	01		35	INTERCONNECT XMTR & HVPS
2019	14 AWG	WHITE	W05	1TB4-2	41		2A2TB1-1	41		25	INTERCONNECT XMTR & HVPS
2020	18 AWG	WHITE	W03	1TB4-3	01		2XK15-9			34	INTERCONNECT XMTR & HVPS
2021	20 AWG	WHITE	W02	1TB4-4	01		2K1TB1-5	01		36	INTERCONNECT XMTR & HVPS
2022	20 AWG	WHITE	W02	1TB4-5	01		2A1TB1-7	01		35	INTERCONNECT XMTR & HVPS
2023	18 AWG	WHITE	W03	1TB4-6	01		2S2S1-N0	04		25	INTERCONNECT XMTR & HVPS
2024	14 AWG	BLACK	W27	1TB4-10	41		2R183-2	14		25	INTERCONNECT XMTR & HVPS
		WHITE	W27	1TB4-11	41		2R183-1	14			INTERCONNECT XMTR & HVPS
		SHIELD	W27	OPEN			GND				INTERCONNECT XMTR & HVPS
2025	14 AWG	BLACK	W27	1TB4-12	41		2R182-2	14		25	INTERCONNECT XMTR & HVPS
		WHITE	W27	1TB4-13	41		2R182-1	14			INTERCONNECT XMTR & HVPS
		SHIELD	W27	OPEN			GND				INTERCONNECT XMTR & HVPS
2026	18 AWG	WHITE	W03	1TB4-15	01		2A2TB1-9	01		22	INTERCONNECT XMTR & HVPS
2027	20 AWG	WHITE	W02	1TB4-16	01		2A1TB1-8	01		35	INTERCONNECT XMTR & HVPS
2028	20 AWG	WHITE	W02	1TB4-17	01		2K3-A	07		29	INTERCONNECT XMTR & HVPS
2029	14 AWG	BLACK	W27	1TB4-7	41		2R184-2	14		22	INTERCONNECT XMTR & HVPS
		SHIELD	W27	1TB4-8	41		2R184-1	14			INTERCONNECT XMTR & HVPS
		WHITE	W03	1TB15-4	01		2A2TB1-7	01		21	INTERCONNECT XMTR & HVPS
2030	18 AWG	WHITE	W03	1TB15-5	01		2A2TB1-8	01		21	INTERCONNECT XMTR & HVPS
2031	18 AWG	WHITE	W17	1TB15-10	01		2R173-2		J	20	INTERCONNECT XMTR & HVPS
2032	18 AWG	SHIELD	W17	1TB15-9	01		OPEN				INTERCONNECT XMTR & HVPS
2033	18 AWG	WHITE	W17	1TB15-8	01		2R174-2		J	20	INTERCONNECT XMTR & HVPS
		SHIELD	AWG	1TB15-9	01		OPEN				INTERCONNECT XMTR & HVPS
2034	18 AWG	WHITE	W17	1TB15-7	01		2R175-2	01	J	21	INTERCONNECT XMTR & HVPS
		SHIELD	W17	1TB15-6	01		OPEN				INTERCONNECT XMTR & HVPS

REV D

1 see table 2-1 2 see table 2-2 3 see table 2-3

FIGURE 2-37. System Interconnection Cabinets 1 & 2 (Sheet 1 of 2)

WIRE NO	SIZE	COLOR	TYPE	FROM	TERM 2	GEN. 3	TO	TERM 2	GEN. 3	LENGTH	REMARKS
2048	10 AWG	WHITE	W45	1TB17-9 GND	17		2A2CB4-2 OPEN	37		33 FT	INTERCONNECT XMTR & HVPS
2044	8 AWG	WHITE	W13	1TB17-1	17		2T24-3 PH 1	35	B	20 FT	INTERCONNECT XMTR & HVPS
2045	8 AWG	WHITE	W13	1TB17-2	17		2T24-3 PH 2	35	B	20 FT	INTERCONNECT XMTR & HVPS
2046	8 AWG	WHITE	W13	1TB17-3	17		2T24-3 PH 3	35	B	20 FT	INTERCONNECT XMTR & HVPS
2047	8 AWG	WHITE	W13	1TB17-4	17		2T24-1 NEUT	35	B	20 FT	INTERCONNECT XMTR & HVPS
2035	14 AWG	WHITE	W05	1TB17-7	41		2A2CB8-2	12		21 FT	INTERCONNECT XMTR & HVPS
2036	12 AWG	WHITE	W10	1TB17-6	17		COM -3	18		30 FT	INTERCONNECT XMTR & HVPS
2037	12 AWG	WHITE	W10	1TB17-5	17		2A2CB9-2	12		30 FT	INTERCONNECT XMTR & HVPS
2038	14 AWG	WHITE	W05	1TB17-8	41		2A2N2-COM		J	22 FT	INTERCONNECT XMTR & HVPS
2049	8 AWG	WHITE	W24	1S38-1	35		2R39-2		J	23 FT	INTERCONNECT XMTR & HVPS
2041	RG 214	BLACK	W43	1S38-2	28		2R55-2	33		24 FT	INTERCONNECT XMTR & HVPS
		SHIELD		GND	32		OPEN				
2042	RG 214	BLACK	W43	1S38-3	28		2R71-2	33		22 FT	INTERCONNECT XMTR & HVPS
		SHIELD		GND	32		OPEN				
2043	16 AWG	WHITE	W21	1S38-4	12		2C12-1	12		18 FT	INTERCONNECT XMTR & HVPS
		SHIELD		GND	33		GND	30			
2039	16 AWG	WHITE	W21	1S38-5	12		2C19-1	12		15 FT	INTERCONNECT XMTR & HVPS
		SHIELD		GND	33		GND	30			
2040	16 AWG	WHITE	W21	1S38-6	12		2C25-1	12		13 FT	INTERCONNECT XMTR & HVPS
		SHIELD		GND	33		GND	30			

NOTE: PREFIX NUMERALS IN TO-FROM COLUMNS REFER TO: 1 IS TRANSMITTER--2 IS HIGH VOLTAGE POWER SUPPLY--3 IS HIGH VOLTAGE AC SWITCH.

REV D

1 see table 2-1 2 see table 2-2 3 see table 2-3

FIGURE 2-37. System Interconnection Cabinets 1 & 2 (Sheet 2 of 2)

INDEX

Subject	Figure
A	
Amplifier 1A1AR4, 1A1AR5	1-18
Amplifier Card 1A1AR4A1, 1A1AR5A1	1-19
Arc Sensor Probe 1A14 thru 1A20	1-23
Arc Sensor, RF 1A8	1-20
B	
Band Command Card 1A1A4	1-6
Band Filter Drive Card 1A1A3	1-5
Band Prove Card 1A1A5	1-7
Bandpass Filter	
Driver Grid 1FL4	1-25
Driver Grid 1FL5	1-26
PA Grid 1FL7	1-27
PA Grid 1FL8	1-28
PA Grid 1FL9	1-29
Bias Adjust Panel 1A9	1-21
Bias Control and Logic Card 1A1A6	1-8
C	
Cabinet	
Number 1, Transmitter	1-1
Number 2, High Voltage Power Supply	1-34
Number 3, High Voltage AC Switch	1-37
Card	
Amplifier (1A1AR4A1, 1A1AR5A1)	1-19
Band Command (1A1A4)	1-6
Band Filter Drive (1A1A3)	1-5
Band Prove (1A1A5)	1-7
Bias Control and Logic (1A1A6)	1-8
Extender Service (1A1A14)	1-16
Fault Overload (1A1A11)	1-13
First Event Logic (1A1A12)	1-14

INDEX -CONT-

Subject	Figure
Card -CONT-	
HV Control (1A1A9)	1-11
RF Feedback Control (1A1A1)	1-3
Serial Command Interface (1A1A7)	1-9
Serial Status Interface (1A1A8)	1-10
Signal Monitor (1A1A2)	1-4
Test Meter Scale Adjust (1A1A13)	1-15
Control/Status and Card Assembly Panel 1A1	1-2
Crowbar, Electronic (2A1)	1-35
D	
Distribution Wire Card Assembly 1A1A18	1-17
Driver Amplifier Bias Power Supply	1-32
Driver Grid Bandpass Filter	
Bands A, B, C (1FL4)	1-25
Bands D, E, F (1FL5)	1-26
E	
Electronic Crowbar 2A1	1-35
Elemental Transmitter Interconnections	1-38
Extender Service Card 1A1A14	1-16
F	
Fault Overload Card 1A1A11	1-13
Filter	
Bandpass, Driver Grid (1FL4)	1-25
Bandpass, Driver Grid (1FL5)	1-26
Bandpass, IPA Grid (1FL1, 1FL2, 1FL3)	1-24
Bandpass, PA Grid (1FL7)	1-27
Bandpass, PA Grid (1FL8)	1-28
Bandpass, PA Grid (1FL9)	1-29
PA Output (1FL10 thru 1FL15)	1-30

INDEX -CONT-

Subject	Figure
H	
High Voltage AC Switch Cabinet 3	1-37
High Voltage Power Supply Cabinet	1-34
HV Control Card 1A1A9	1-11
I	
Interconnections, Elemental Transmitter	1-38
IPA Bias Power Supply 1PS1	1-31
IPA Grid Bandpass Filter 1FL1, 1FL2, 1FL3	1-24
M	
Meter Assembly Panel 1A1A13	1-22
P	
PA Bias Power Supply 1PS5	1-33
PA Grid Bandpass Filter Bands A,B (1FL7)	1-27
PA Grid Bandpass Filter Bands C,D,E (1FL8)	1-28
PA Grid Bandpass Filter Band F (1FL9)	1-29
PA Output Filter (1FL10 thru 1FL15)	1-30
Panel	
Bias Adjust (1A9)	1-21
Control/Status and Card Assembly (1A1)	1-2
Meter Assembly (1A13)	1-15
Power Supply	
Driver Amplifier Bias (1PS4)	1-32
IPA Bias (1PS1)	1-31
PA Bias (1PS5)	1-33
Probe, Arc Sensor (1A14 thru 1A20)	1-23

INDEX -CONT-

Subject	Figure
R	
RF Arc Sensor IA8	1-20
RF Feedback Control Card IAIA1	1-3
S	
Serial Command Interface Card IAIA7	1-9
Serial Status Interface Card IAIA8	1-10
Signal Monitor Card IAIA2	1-4
T	
Test Meter Scale Adjust Card IAIA13	1-15
W	
Wire Card Assembly, Distribution (IAIA18)	1-17