

PowerCommand® Network Controls and Communications Module (FT-10)



Description

The PowerCommand Controls and Communications Module (CCM) provides local or remote monitoring and control of power system equipment such as generator sets, transfer switches and related switchgear. The CCM includes 3-phase voltage and current inputs, 32 discrete and 10 analog inputs for comprehensive monitoring. Eight output relays allow additional control of the monitored equipment. The CCM is available for Generator Set and Transfer Switch applications as well as other applications. The CCM may be configured for automatic alarm dial-out of fault conditions.

Features

- Complete 3-phase AC monitoring including Voltage, Current, Frequency, Power Factor, Real Power, Reactive Power and Energy.
- 32 discrete dry contact inputs for monitoring equipment.
- 10 analog inputs for monitoring Engine Oil and Exhaust Temperatures, Oil Pressure and Genset Battery Voltage.
- 8 relay outputs (Form C) for controlling equipment.
- Automatic alarm dial-out of all fault conditions to a user-defined location.
- Module firmware can be upgraded in the field.
- Supports wide variety of temperature and pressure sensors.
- May be connected at any point in the Power-Command Network.
- Output relays may be used to control genset, transfer switch, or other equipment functions.
- May be remotely monitored and controlled with PowerCommand Software for Windows® V2.0.
- Potted assembly is environmentally protected.
- Pluggable connectors allow one-time wiring.
- Transfer Switch applications include rechargeable battery and charger.

Specifications	
<p>Network Echelon® LONWORKS®, Twisted-Pair 78KBPS, FT-10</p> <p>Protocol Echelon LonWorks, GOAL</p> <p>Inputs 3-Phase Voltage 0 - 600 VAC (Line-to-Line) 3-Phase Current 0 - 5 A (AC) 32 Discrete Dry Contact (N.O. or N.C.) 10 Analog (4) 0-9 VDC, (4) 0-5 VDC, (2) 0-36 VDC</p> <p>Outputs (Revision B) 8 - Form C Relays 500 mA @ 125 VAC, or 2A @ 30 VDC</p> <p>Outputs (Beginning Revision C) 8 - Form C Relays 5 A @ 250 VAC or 3A @ 30 VDC</p>	<p>Power Voltage 5 - 36 VDC, 120 VAC Current 1.25 A (max)</p> <p>Temperature Operating -25 to +70 °C (-13 to +158 °F) Storage -25 to +85 °C (-13 to +185 °F)</p> <p>Humidity Relative 25 - 95% (non-condensing)</p>

Generator Set Applications

AC Data	Engine Data	Genset Status	Genset Control
Voltage (3-Phase) Current (3-Phase) Power Factor Frequency Real Power Reactive Power	Engine Temperature Exhaust Temperature Oil Temperature Oil Pressure Genset Battery Voltage Spare Temperature Fuel Remote 3 Analog I/O Spares	Common Alarm Low Fuel Low Engine Temp Overspeed High Engine Temp Low Oil Pressure Pre-High Engine Temp Pre-Low Oil Pressure Genset Running Switch in Off 16 Customer Inputs	Start/Stop Emergency Stop Reset Fault Relay 4 Relay 5 Relay 6 Relay 7 Relay 8

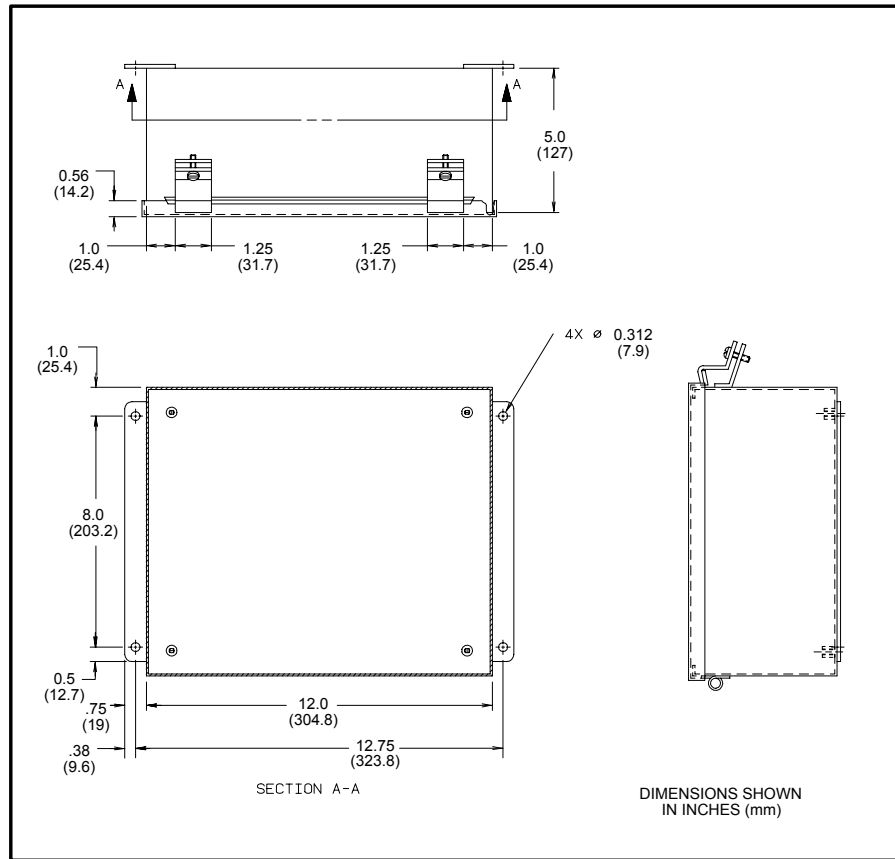
Transfer Switch Applications

AC Data (Load)	Analog Data	ATS Status	ATS Control
Voltage (3-Phase) Current (3-Phase) Power Factor Frequency Real Power Reactive Power	CCM Battery Voltage 9 Analog I/O Spares	Normal Available Emergency Available Normal Connected Emergency Connected Test/Exercise Backup Source Available Low Battery Voltage* High Battery Voltage* Battery Charger Failure Bypass to Normal Bypass to Emergency Transfer Pending 16 Customer Inputs	Load Shed/Restore Transfer Inhibit/Enable Remote Test Retransfer Inhibit Relay 5 Relay 6 Relay 7 Relay 8

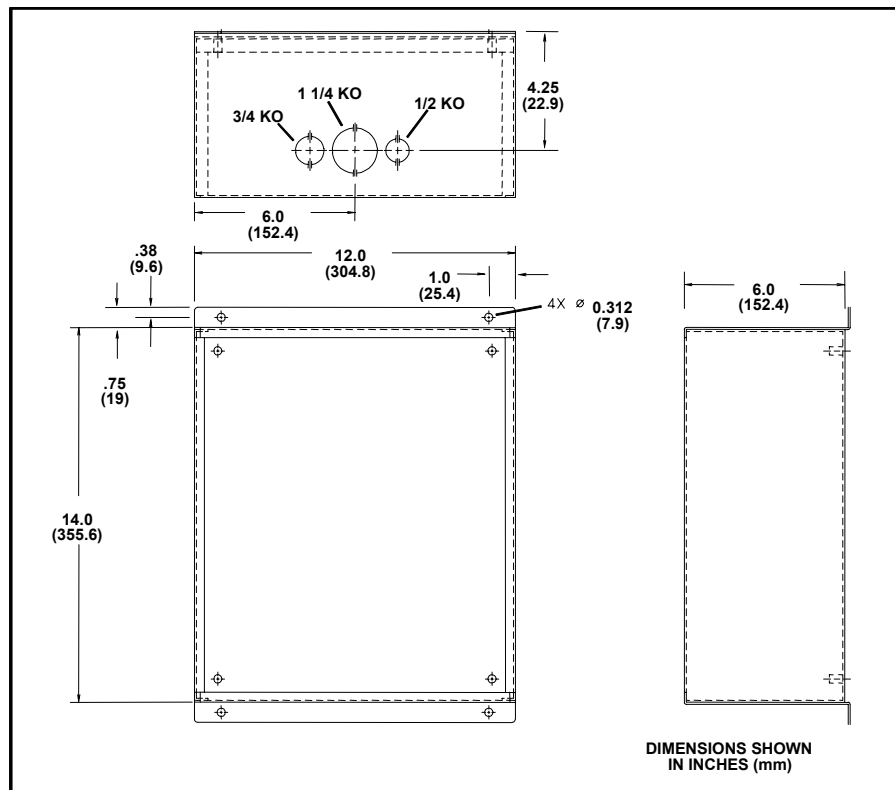
* Genset Battery Voltage.

Dimensions

Generator Set Applications



Transfer Switch Applications



Transfer Switch Applications

The CCM (Transfer Switch) is powered by an integral rechargeable battery (with battery charger). The battery charger requires 120 VAC. If 120 VAC is not available, order the appropriate Power Transformer Kit from the table below.

Part Number	Description (Primary Voltage)
0300-4870-01	Power Transformer Kit (208, 240, 480 VAC)
0300-4870-02	Power Transformer Kit (347, 380, 416 VAC)
0300-4870-03	Power Transformer Kit (600 VAC)

The following Transfer Switch options are required for complete monitoring and control of an Onan Transfer Switch.

Signal	Required Option
Normal Available	Signal Module
Emergency Available	Signal Module
Normal Connected	Normal Position Relay
Emergency Connected	Emergency Position Relay
Test/Exercise	Signal Module
Backup Source Available	Signal Module
High Genset Battery	Battery Charger Alarms
Low Genset Battery	Battery Charger Alarms
Load Shed*	Load Shed
Transfer Inhibit*	Power Sentry
Remote Test*	Power Sentry

* Transfer Switch Inputs.

Ordering Information*

Model	Description
0541-0810	Controls Communications Module, Genset (CCM-G), FT-10
0541-0811	Controls Communications Module, Transfer Switch (CCM-T), FT-10

If line-to-line voltages exceed 600 VAC, external Potential Transformers (PTs) are required. A Current Transformer (CT) Kit may also be required to monitor line currents. See PowerCommand and Network Installation and Operation Manual (0900-0529).

See your distributor for more information



Cummins Power Generation
1400 73rd Avenue N.E.
Minneapolis, MN 55432
763.574.5000
Fax: 763.574.5298
www.cumminspowergeneration.com

Warning: For professional use only.
Must be installed by a qualified service technician.
Improper installation presents hazards of electrical shock and improper operation, resulting in severe personal injury and/or property damage.

Windows is a registered trademark of Microsoft. Echelon and LONWORKS are registered trademarks of Echelon. PowerCommand is a registered trademark of Cummins Inc. Cummins Power Generation is a subsidiary of Cummins Inc.

Warning: Backfeed to a utility system can cause electrocution and/or property damage. Do not connect generator sets to any building electrical system except through an approved device or after building main switch is open.