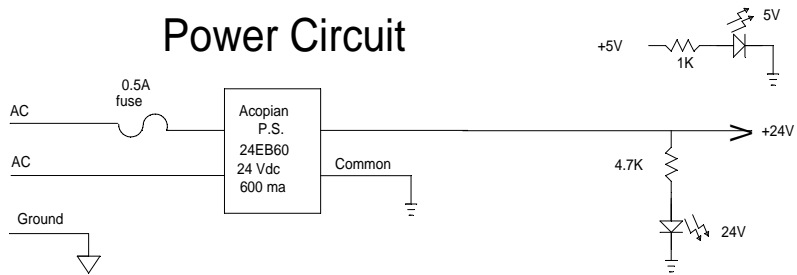
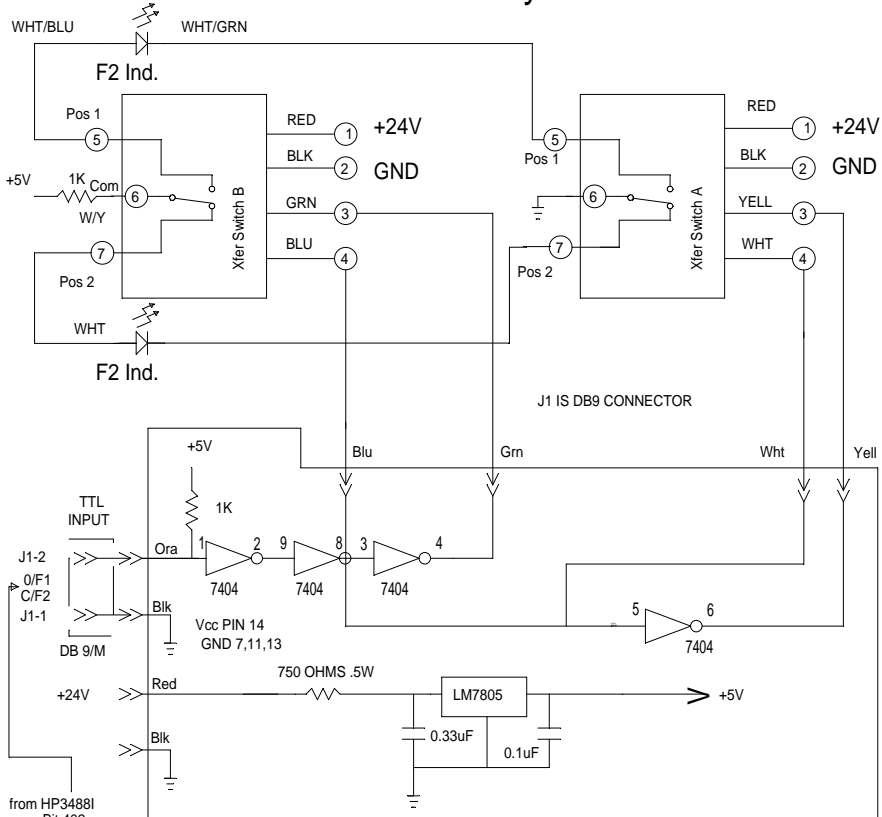


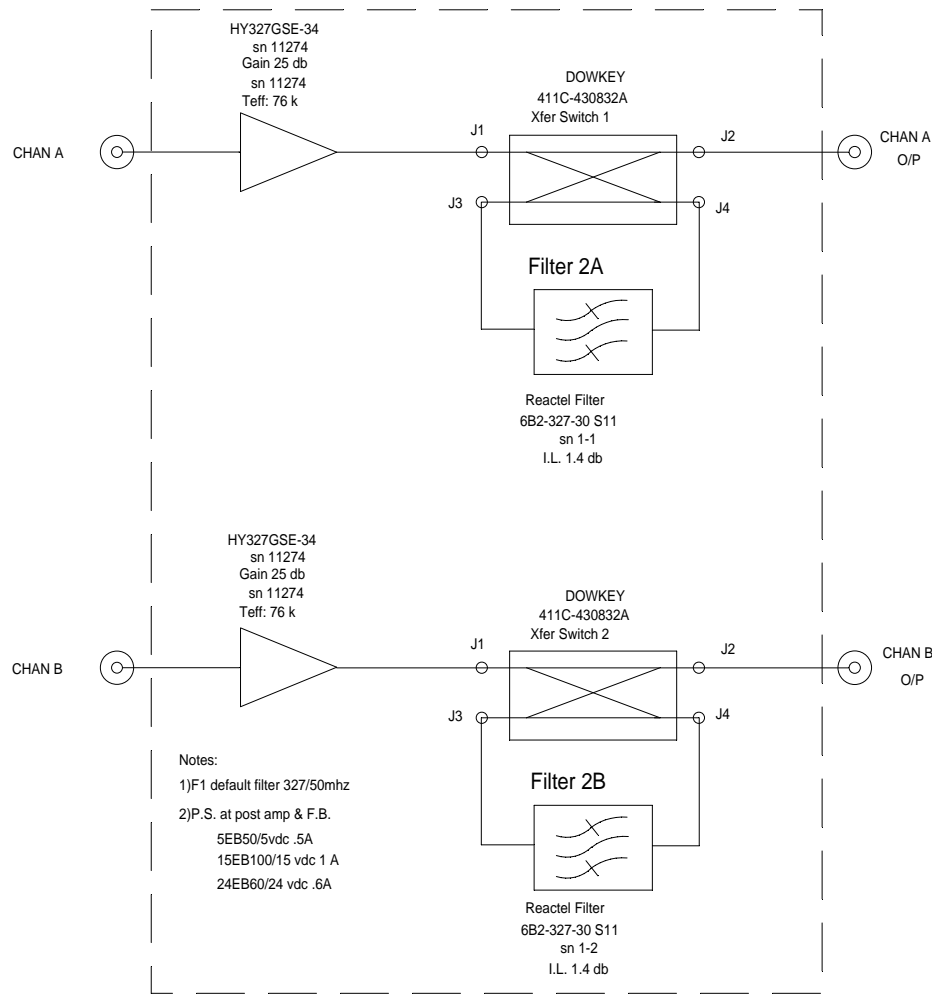
Power Circuit



Switch and Indicator Circuitry



RF Diagram for Post & Filter Bank



Notes:

- 1) F1 default filter 327/50mhz
 - 2) P.S. at post amp & F.B.
- 5EB50/5vdc .5A
15EB100/15 vdc 1 A
24EB60/24 vdc .6A

REVISIONS

DATE 11/6/2006
APPD.
BY ANS

ARECIBO OBSERVATORY
CORNELL UNIVERSITY

327 Filter Bank & Post

SCALE

DWN. NO.