

**DOWNSTAIRS IF-LO SYSTEM  
FUNCTIONAL BLOCK DIAGRAM**

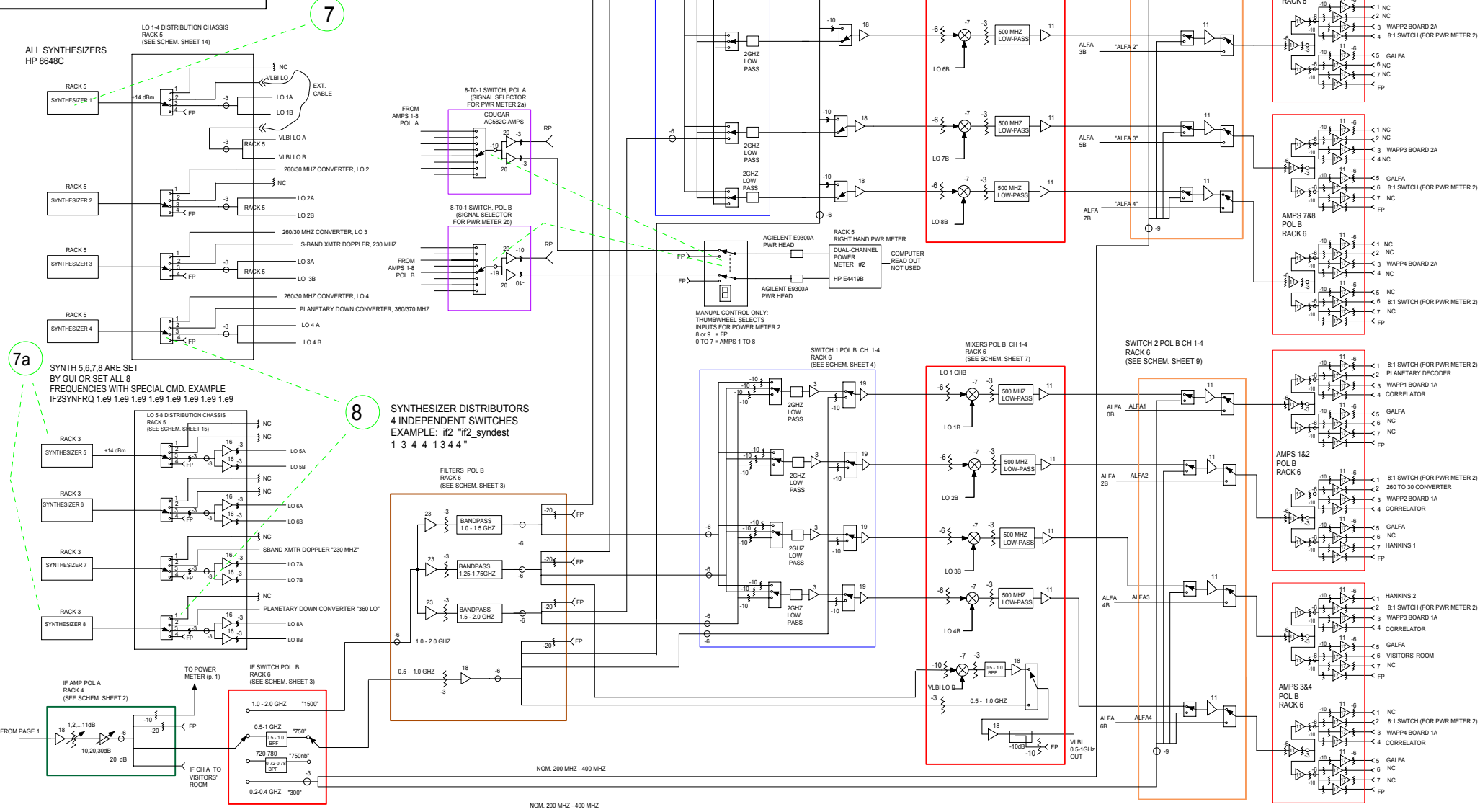
**PAGE 2 OF 3: POL. B SIGNAL PATHS,  
LO SYNTHESIZERS, PWR METER 2**

file: ifdwn2.ecw  
last rev. APR. 7, 2005

SYNTH 1,2,3,4. FREQUENCIES & AMPLITUDES  
(4 INDEPENDENT SWITCHES)  
EXAMPLE: if2 "if2\_synfrq 12100400 1000000  
2000000 500000"

(SYNTH1 = 1.21004 GHZ, SYNTH2 = 1 MHZ,  
SYNTH3 = 2 MHZ, ..., SYNTH8 = 1MHZ)  
EXAMPLE: if2 "if2\_synamp 14.0 14.0  
14.0 14.0"  
(amplitudes in dBm)

NOTE: CHANNEL B  
SIGNAL PATHS ARE  
SWITCHED TOGETHER WITH  
CHANNEL A SIGNAL PATHS



7

7a

8

SYNTH 5,6,7,8 ARE SET  
BY GUI OR SET ALL 8  
FREQUENCIES WITH SPECIAL CMD. EXAMPLE  
IF2SYNFRQ 1.e9 1.e9 1.e9 1.e9 1.e9 1.e9

SYNTHESIZER DISTRIBUTORS  
4 INDEPENDENT SWITCHES  
EXAMPLE: if2 "if2\_syndest  
1 3 4 4 1 3 4 4"

NOM. 200 MHz - 400 MHz