

Stage 1

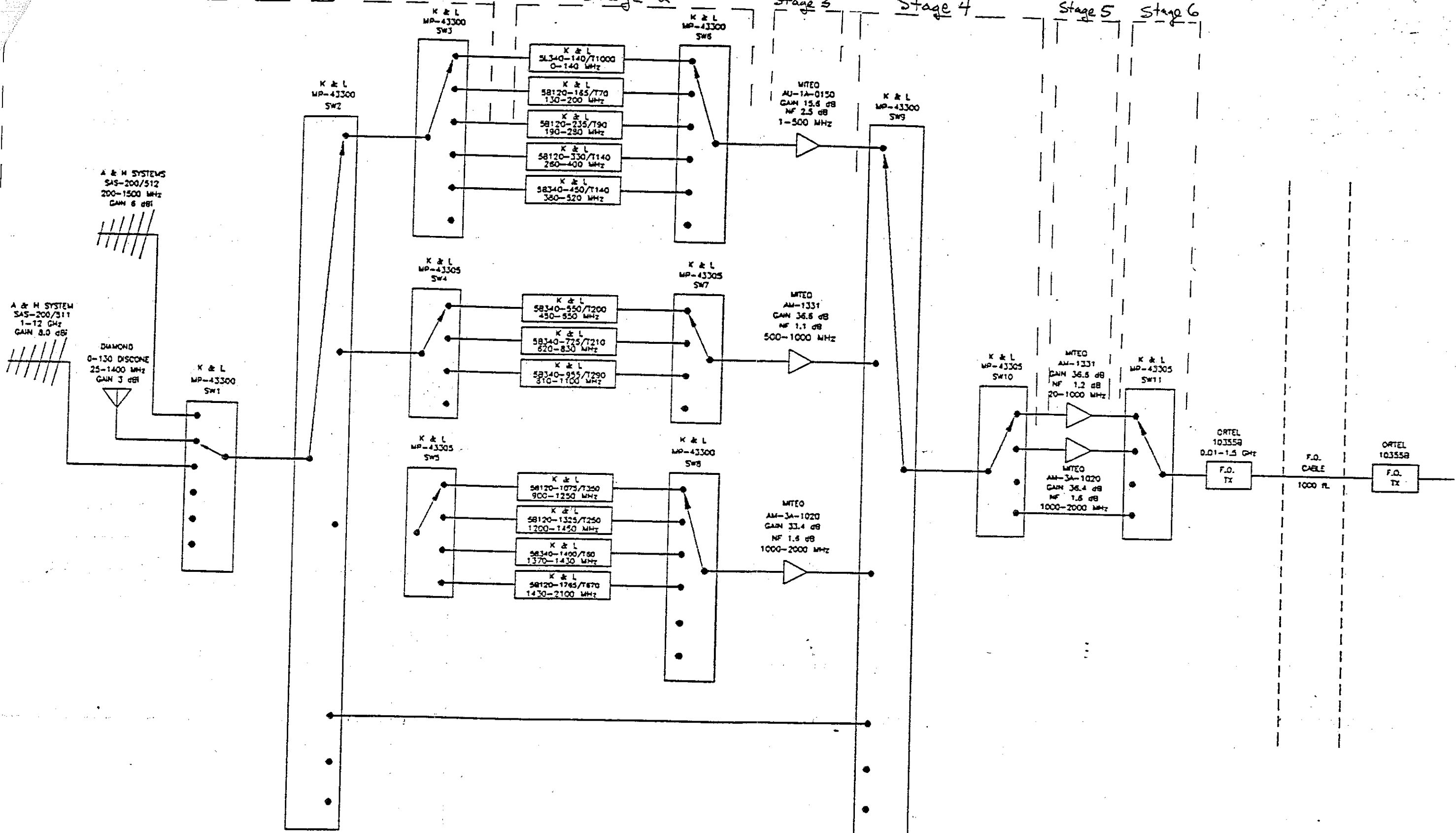
Stage 2

Stage 3

Stage 4

Stage 5

Stage 6



REVISIONS 6-3-94	DATE 9-27-93	ARECIBO OBSERVATORY CORNELL UNIVERSITY	SCALE
	APPR. GERALD SPILLMAN		DWG. NO. RA822C01
	BY G. A. SERRANO	RFI MONITOR	

FIGURE 1