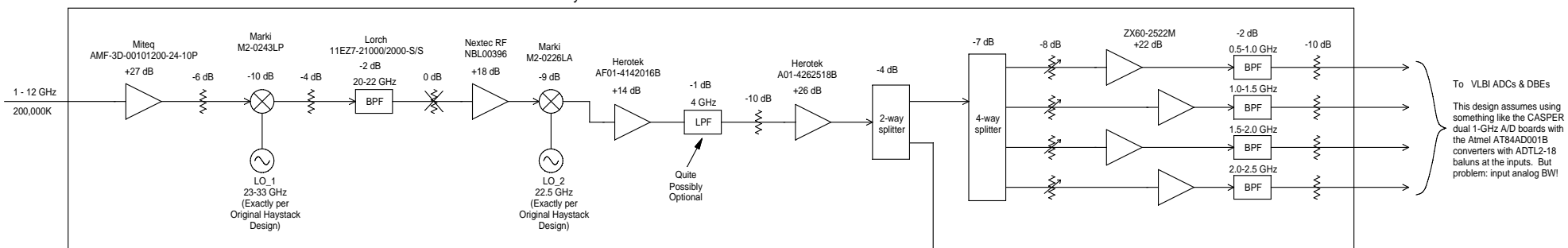
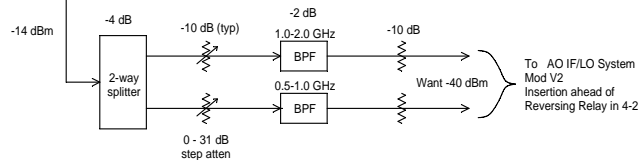


Modified Haystack U/D converter



Dana Whitlow
 Orig: 25 Mar 2010
 Revised: 23 April 2010
 Modified_Haystack_UDC_for_AO_3.fc7

Haystack UDC with 4 Nyquist Zone Outputs and Additional Outputs to Go Into AO IF/LO



To VLBI ADCs & DBEs
 This design assumes using something like the CASPER dual 1-GHz A/D boards with the Atmel AT84AD001B converters with ADTL2-18 baluns at the inputs. But problem: input analog BW!